

# GR Series

**PA** Pneumatically Activated Core Chucks



## Montalvo GR Series Pneumatically Activated Core Chucks (GRPA)

The **GRPA** is a high performance, heavy duty steel core chuck with one or more air-activated pistons that mechanically drive ramped expanders outward for perfect centering. Air is introduced through a separate port on the flange or optional rotary union. The chuck is available with either expanding leaves or lugs and with either flange or shaft extension mounting. Also available are lightweight adapters that easily slip over and lock into the base chuck with three locating pins for quick changeover to larger size cores and transmission of torque. The GRPA is recommended for higher weights, speed and torque requirements for either stop and go or continuous operations and for any unwinding or rewinding where perfect centering is required.

A hybrid model **GRPA-H** combines the standard pneumatic/mechanical expansion with an additional self-expanding system activated through the web tension, causing further expansion of the leaves. Recommended especially for steel cores, or for any heavy-duty extremely high torque application.

### Features, Benefits and Options

- ▶ *Perfect for unwinds requiring absolute centering and fail-safe grip*
- ▶ *Absolute roll centering*
- ▶ *Designed for high roll weight, maximum speed and torque*
- ▶ *Air actuated piston(s) concentrically expand leaf or lug grippers*
- ▶ *Air actuate/spring retract - or - spring engage/air retract designs*
- ▶ *All parts designed for 24/7 continuous run applications*
- ▶ *Actuated via rotary union and/or air gun (min. air pressure - 85 PSI)*
- ▶ *Standard and custom quick change tool-less core size adapters available*



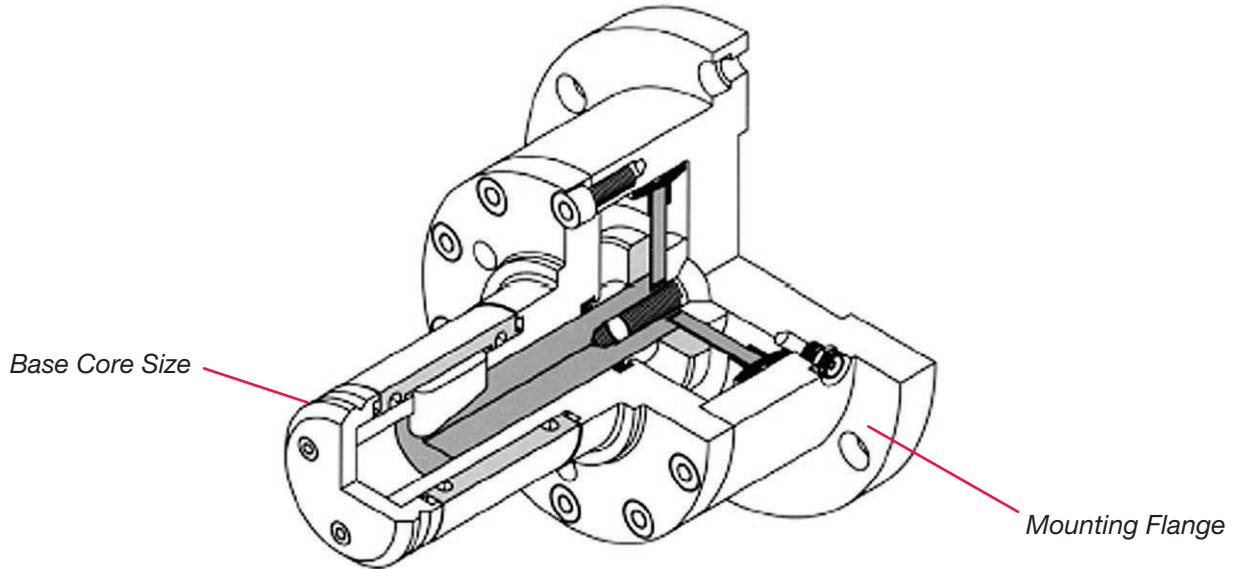
# GR Series

**PA** Pneumatically Activated Core Chucks

## How it works

**GRPA** expansion is accomplished by one (or more) air activated pistons that mechanically engage the expanders. Expansion can be spring-activated so as to ensure the core is gripped in case of air leakage in the machine (expanders are retracted with air). When running different core diameters, suitable interchangeable adapters can be fitted onto one base chuck.

An optional design **GRPA-H** is recommended for extremely high torque requirements, especially with steel cores. Combined with the pneumatic mechanical system, the self-expanding system (activated through the web tension) further expands the leaves during the heavy duty applications such as very quick emergency stops.








| Specifications* (per chuck)                 | 3" Core ID     | 4" Core ID     | 5" Core ID     | 6" Core ID     |
|---|----------------|----------------|----------------|----------------|
| Max. Capacity<br>lb (N)                     | 2,700 (12,000) | 3,150 (14,000) | 4,500 (20,000) | 5,600 (25,000) |
| Max. Torque - Cardboard Cores<br>in-lb (Nm) | 7,080 (800)    | 9,200 (1,040)  | 11,500 (1,300) | 13,800 (1,560) |
| Max. Torque - Steel Cores<br>in-lb (Nm)     | 3,550 (400)    | 4,700 (530)    | 5,850 (660)    | 7,100 (800)    |

\*Standard Models only. Please contact your Montalvo representative for Non-Standard requirements.

Note: Air pressure min. - 85 PSI (5.86 bar)

All models available as STEP CHUCK format allowing for maximum machine efficiency when changing core sizes.

|   |                             |   |
|---|-----------------------------|---|
|  | 207-856-2501 / 800-226-8710 |  |
|  | +86-21-52188010             |   |
|  | +45 75 57 27 11             |   |
|  | +49 (0)511 760 691 41       |   |



The Montalvo Corporation

EST. 1947

**montalvo**

Better Web Control®

50 Hutcherson Drive, Gorham, Maine 04038 USA  
Fax: 1-800-644-5097 / 207-856-2509

1-800-226-8710 / info@montalvo.com / www.montalvo.com

Technical details subject to change without notice. GRPA-US-01 © Montalvo