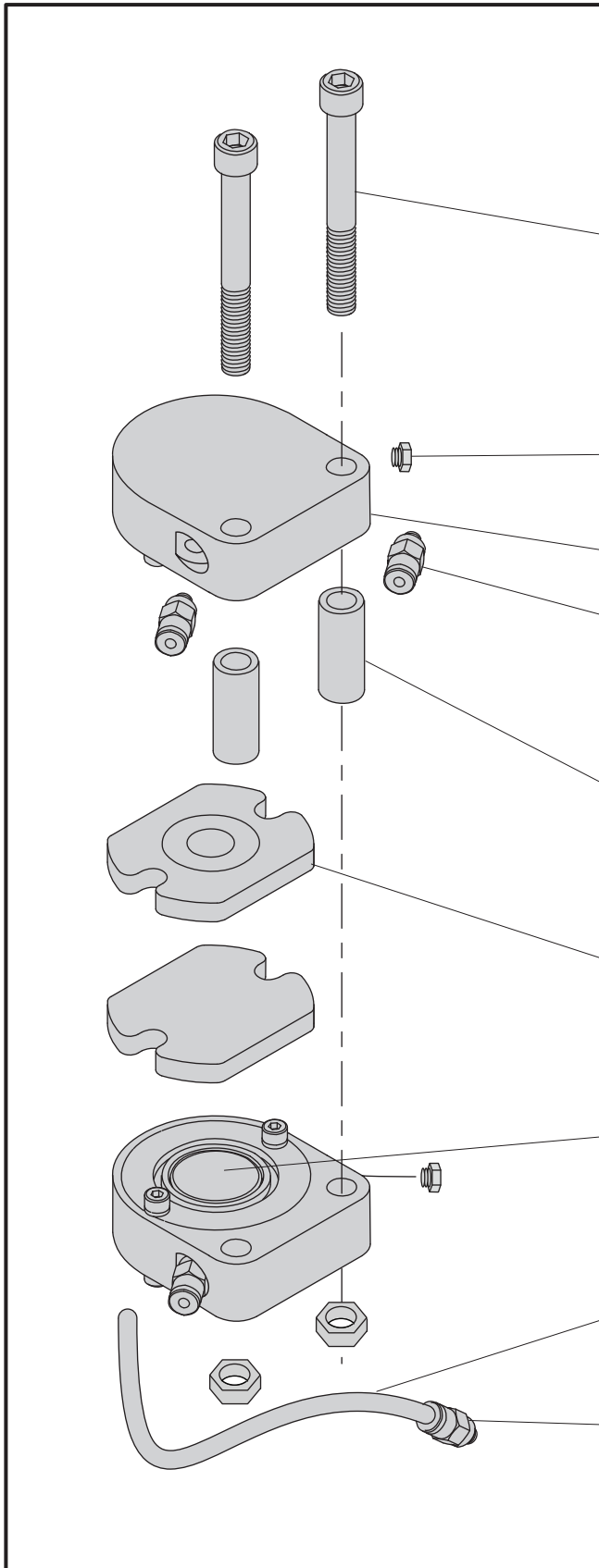


PARTS

CC2 Friction Module

05-09-2023-1



CC-2 FRICTION MODULE KIT

For IMPERIAL Brake 10000456

For METRIC* Brake 10002178

MOUNTING BOLT w/nut

SHCS 5/16-18 X 3-1/2 18000158

*SHCS M8 X 90mm 18000826

PLUG

(10-32) 18000338

MODULE CORE

QUICK DISCONNECT

1/8 x 10-32 18000296

1/8 x 1/8 NPT 18000551

*M5 x 4mm 18000674

SPACER

0.815" (20.7mm) 10000208

FRICTION PAD



MAGNET

10000265

TUBING w/attached quick disconnect

1/16 TFE (IMPERIAL) 20000036

*4mm (METRIC) 20000234

QUICK DISCONNECT

1/8 x 10-32 18000296

1/8 x 1/8 NPT 18000551

*4MM X 1/8 NPT 18000882

*METRIC friction module kit components

USA 1-800-226-8710 / +1-207-856-2501
 CN +86-21-52188010
 EU +45 75 57 27 11
 DE +49 (0)511 760 691 41

Montalvo, 50 Hutcherson Drive, Gorham, Maine 04038 USA
 info@montalvo.com www.montalvo.com
 Prices and technical information subject to change without notice. © montalvo

EST. 1947

montalvo
 Better Web Control®