

CD-Series

Compact Dual Disc Clutches

**Montalvo CD-Series Compact Dual Disc Clutches**

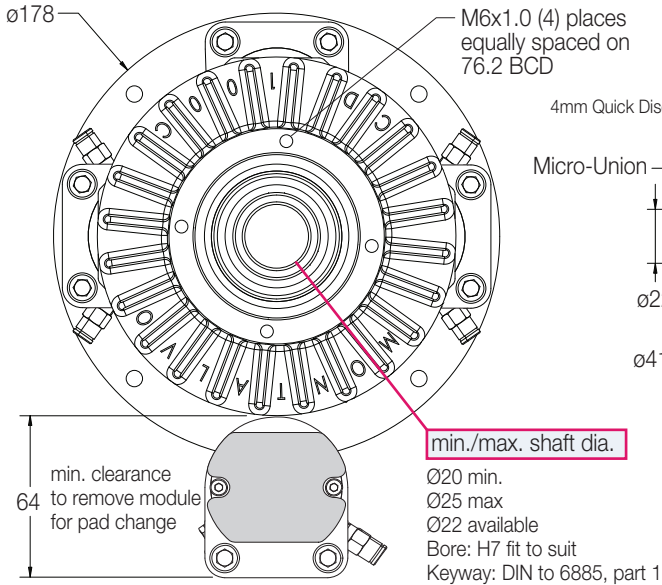
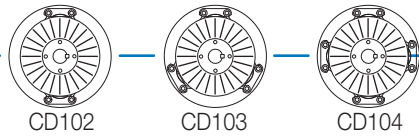
CD Series 100 130

CD-Series clutches are the cost-effective choice in light/medium duty tension control applications such as tag and label manufacturing, film manufacturing, slitter-rewinders, flexo printing, non-wovens/textiles, and various power transmission uses. CD-Series dual disc clutches are available in 100 and 130mm sizes. They offer multiple range control. The unique friction module may be assembled in a variety of configurations and may be purchased individually and used in conjunction with customer supplied discs. With sales and service trained representatives in all important markets, Montalvo supplies application expertise and product sales service worldwide.

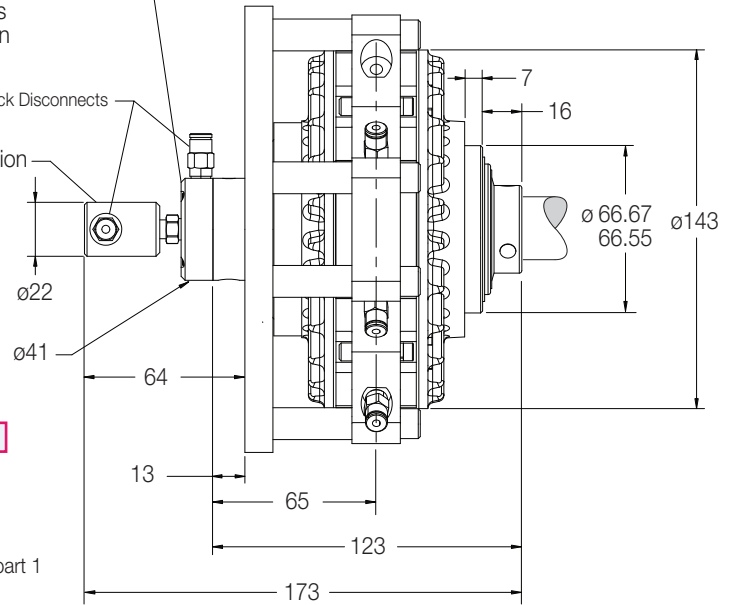
*Drive pulley mounted to a CD130 clutch.***Features**

- ▶ Compact
- ▶ Low inertia
- ▶ Modular design
- ▶ High thermal capacity
- ▶ Wide torque range & capacity
- ▶ Easy installation & maintenance

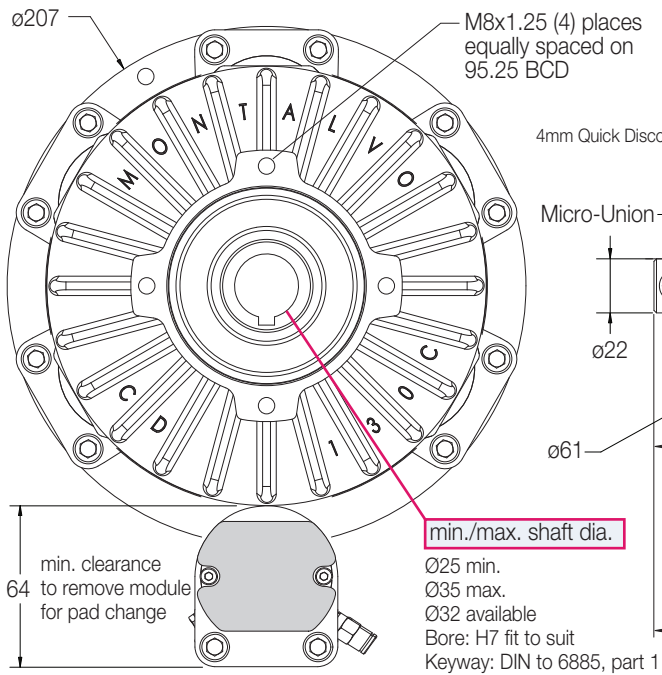
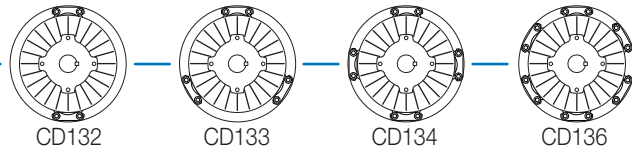
CD 100



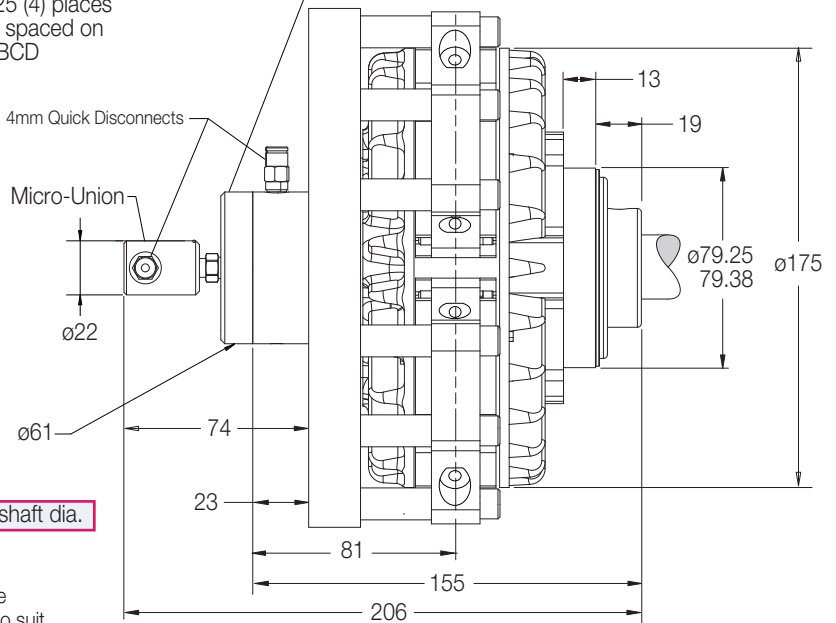
Air Transfer Cap Option (when ATC is used, drilling & tapping the shaft is not required)



CD 130



Air Transfer Cap Option (when ATC is used, drilling & tapping the shaft is not required)



CD-Series

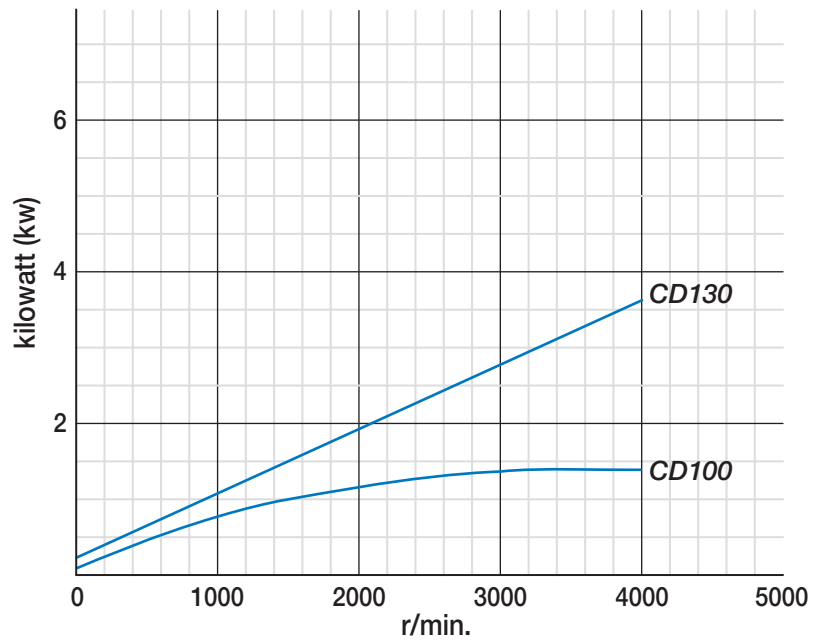
Compact Dual Disc Clutches

Torque†

	Max. - Min. (Nm)					
	(Max. @ 5.2 bar) - (Min. @ 0.07 bar)					
	LOW Friction		MEDIUM Friction		HIGH Friction	
CD100						
CD102	7.5	0.10	23	0.30	34	0.45
CD103	11.3	0.15	34	0.45	51	0.68
CD104	15	0.20	45	0.60	68	0.90
CD130						
CD132	10	0.13	30	0.38	45	0.59
CD133	15	0.20	45	0.58	68	0.88
CD134	20	0.26	60	0.77	90	1.18
CD136	30	0.39	90	1.15	136	1.76

† Friction values are nominal. Rated torque may vary depending on operating temperature.

Effective Cooling Speed*



*Effective Cooling Speed (nECS)

The speed at which a clutch will dissipate given kilowatts.

$$nECS = \frac{2 \times n \text{ min.} + n \text{ max.}}{3}$$

Testing

Clutches were mounted as recommended in *Installation Instructions*. No guard or cover was used. Addition of machine guarding, fan or blower cooling, differences in ambient conditions, location, mounting method, etc. will affect heat dissipation capacity of any air cooled clutch. Careful consideration should be given to all conditions surrounding installation. Consult Montalvo for help in application sizing.

Conditions: Ambient temp. 13 -16°C
 Cast Iron Bulk 177°C
 Humidity 65 - 70%

Size	Max. r/min* (min ⁻¹)	Moment of Inertia (kgm ²)	Total Weight (kg)
CD100	7000	0.013	2.9
CD130	5500	0.024	4.5

Do not use to calculate kilowatt.

Note:

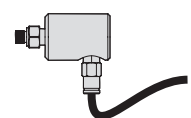
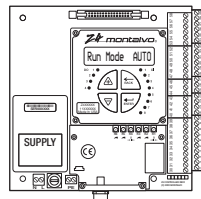
Montalvo Clutches are called upon to operate within a wide speed range when used in converting applications They do not carry "nominal" ratings.

Related Montalvo Products

Rewind Tension Controllers

I/P and E/P Converters

Rotary Unions



	207-856-2501 / 800-226-8710
	+86-21-52188010
	+45 75 57 27 11
	+49 (0)511 760 691 41

The Montalvo Corporation

EST. 1947



Better Web Control®

Tel: EU +45 75 57 27 11 / USA +1 207-856-2501

Fax: USA +1 207-856-2509

info.eu@montalvo.com www.montalvo.com

Technical details subject to change without notice. CDC-GB-05 © Montalvo