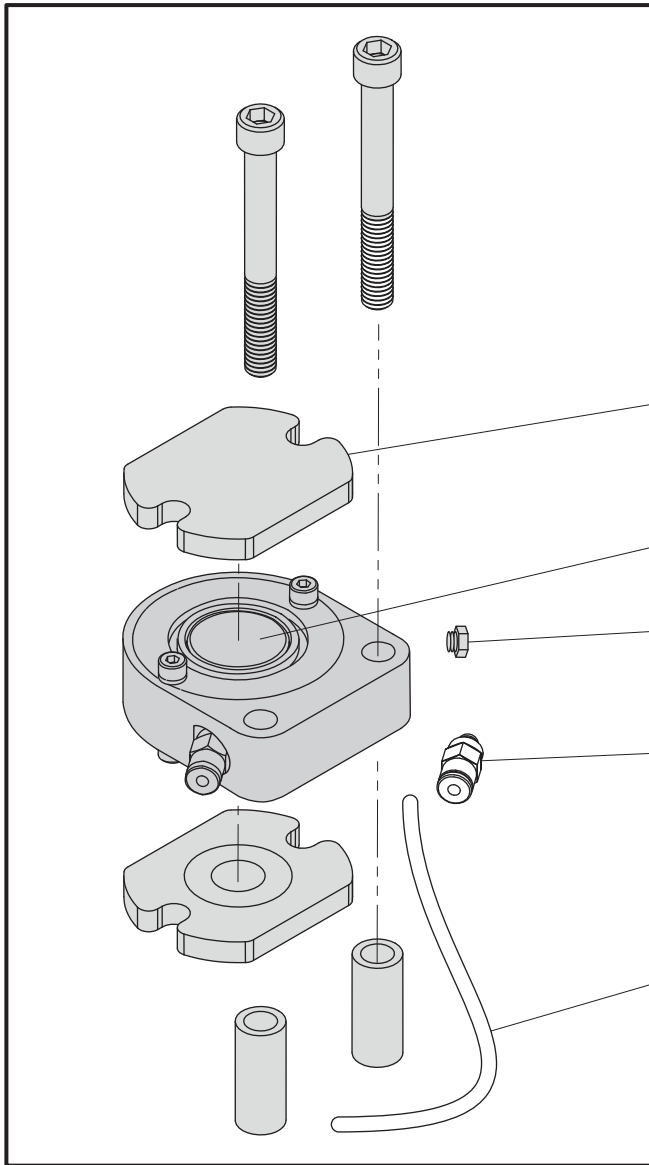


PARTS

CD2 Clutch Friction Module

05-09-2023-1



FRICION MODULE KIT	
CD 100	10001844
CD 100 (metric)	10002371
CD 130	10001846
CD 130 (metric)	10002372

FRICION PAD	
x2	

MAGNET	
x2	10000265

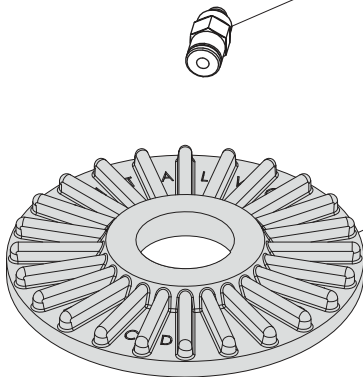
PLUG	
10-32	18000338


QUICK DISCONNECT	
1/8" x 10-32	18000296
M5 x 4mm (metric)	18000674

TUBING	
1/8" TFE	20000036
4mm TFE (metric)	20000324

QUICK DISCONNECT (supply line)	
1/8" x 1/8" NPT	18000551
1/8" NPT x 4mm (metric) (for upstream end of air SUPPLY line supplied with new brake)	18000882

ROTORS	
---------------	---




 USA 1-800-226-8710 / +1-207-856-2501
 CN +86-21-52188010
 EU +45 75 57 27 11
 DE +49 (0)511 760 691 41

Montalvo, 50 Hutcherson Drive, Gorham, Maine 04038 USA
 info@montalvo.com www.montalvo.com
 Prices and technical information subject to change without notice. © montalvo

EST. 1947

montalvo
Better Web Control®