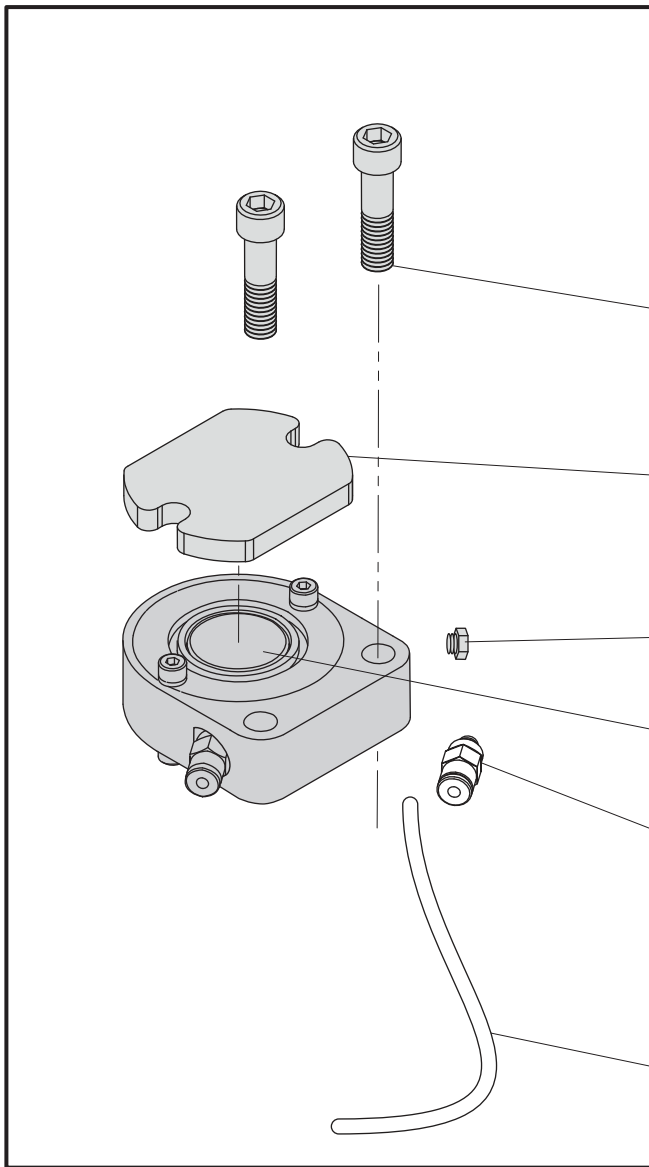


# PARTS

## CS2 Brake Friction Module

05-09-2023-1



### CS-2 FRICTION MODULE KIT

CS 100 / 130

For IMPERIAL Brake 10001860

\*For METRIC Brake 10002059

### MOUNTING BOLT (SHCS) x 2

M8-1.25 x 30 18000470

### FRICTION PAD x1

Specify COF & Friction Mat'l.

### PLUG x1

10-32 18000338

### MAGNET x1

10000265

### QUICK DISCONNECT x2

1/8" x 10-32 18000296

\*M5 x 4mm (METRIC) 18000674

### TUBING x1

1/16" ID TFE 20000036

\*4mm TFE (METRIC) 20000324

### QUICK DISCONNECT (supply line)

1/8" x 1/8" NPT 18000551

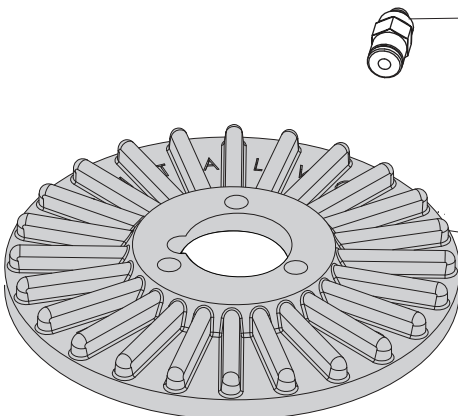
\*1/8" NPT x 4mm (METRIC) 18000882

(for upstream end of air SUPPLY line supplied with new brake)

### ROTORS

Representative only - style varies by model and size (hub and fasteners not shown)

\*METRIC friction module kit components



USA 1-800-226-8710 / +1-207-856-2501  
 CN +86-21-52188010  
 EU +45 75 57 27 11  
 DE +49 (0)511 760 691 41

Montalvo, 50 Hutcherson Drive, Gorham, Maine 04038 USA  
 info@montalvo.com www.montalvo.com  
 Prices and technical information subject to change without notice. © montalvo

EST. 1947

**montalvo**  
 Better Web Control®