

CD100 CD130 CD190

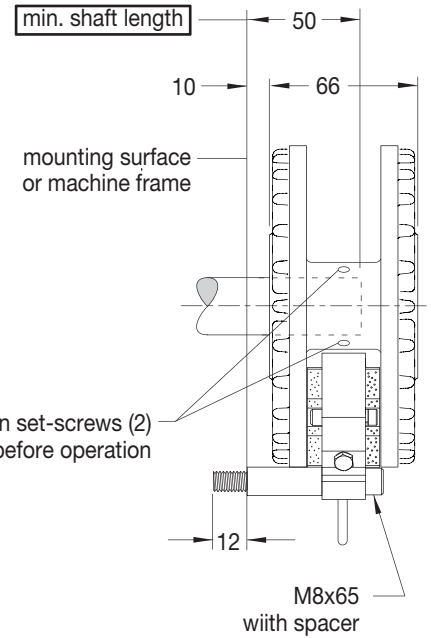
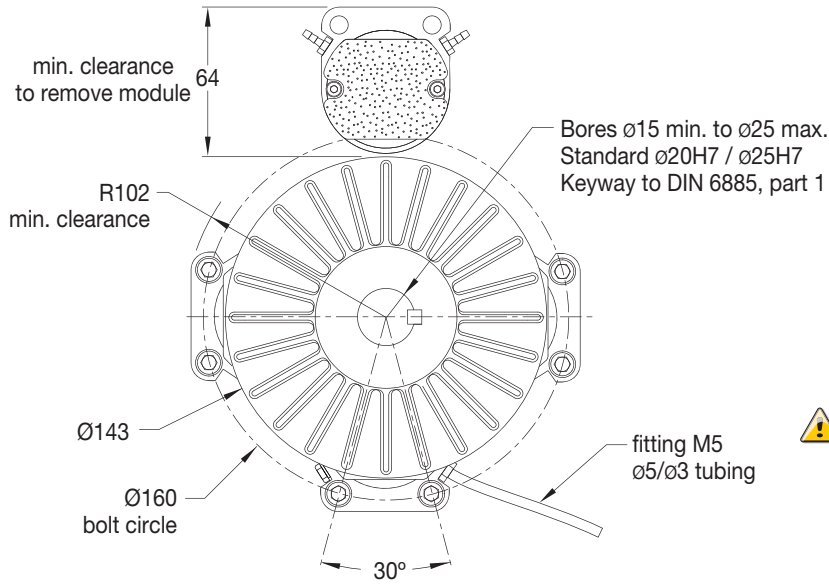
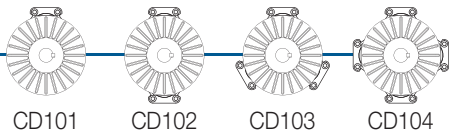
## Montalvo CD-Series Compact Dual Disc Brakes

Ultra-light to medium duty tension brakes, with a modular design and interchangeable parts, that are economical and easy to install and maintain.

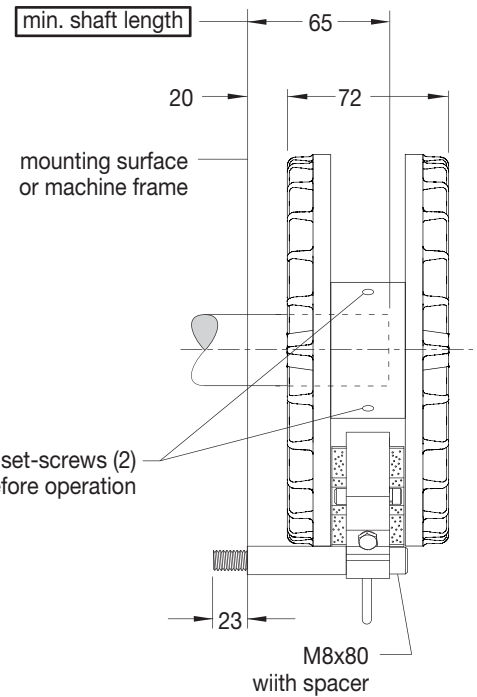
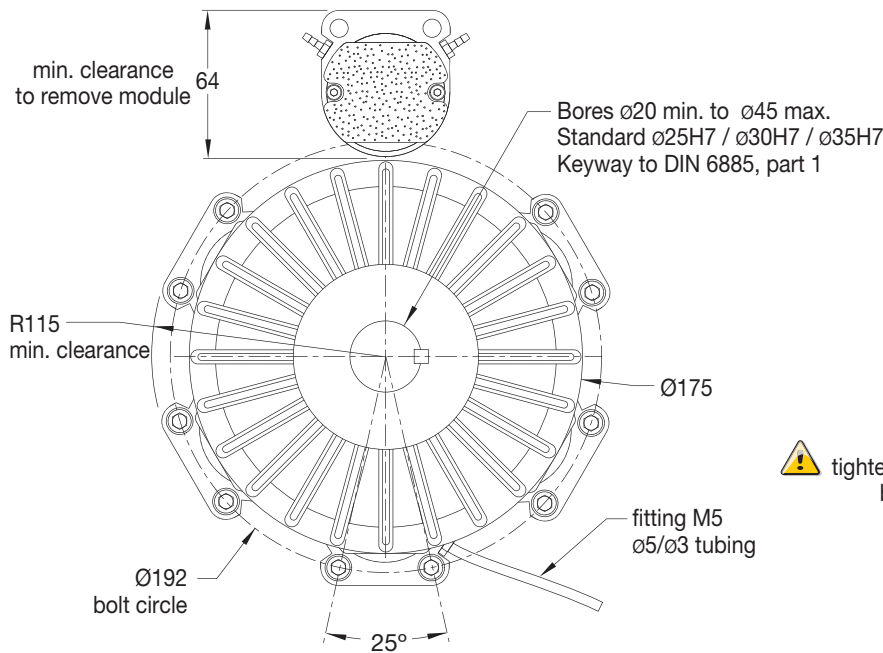
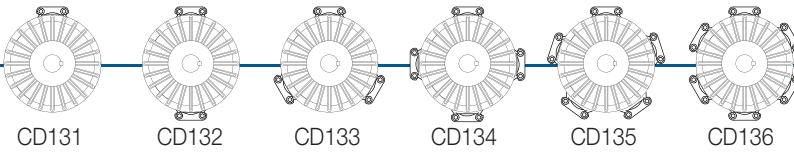
### Features

- ▶ **Ideal for web presses and narrow webs**
  - Flexopresses
  - Slitters / rewinders
  - Label presses
- ▶ **High capacity, low inertia**
  - Eliminates residual drag
  - Run wider variety of webs
  - Up to 4x the range of a magnetic particle brake
- ▶ **Choose from 3 torque ranges**
  - CD100 to 68 Nm
  - CD130 to 138 Nm
  - CD190 to 222 Nm
- ▶ **Versatile C Series Friction Module**
  - Can be configured for customer supplied dual disc, single disc, and caliper disc brakes

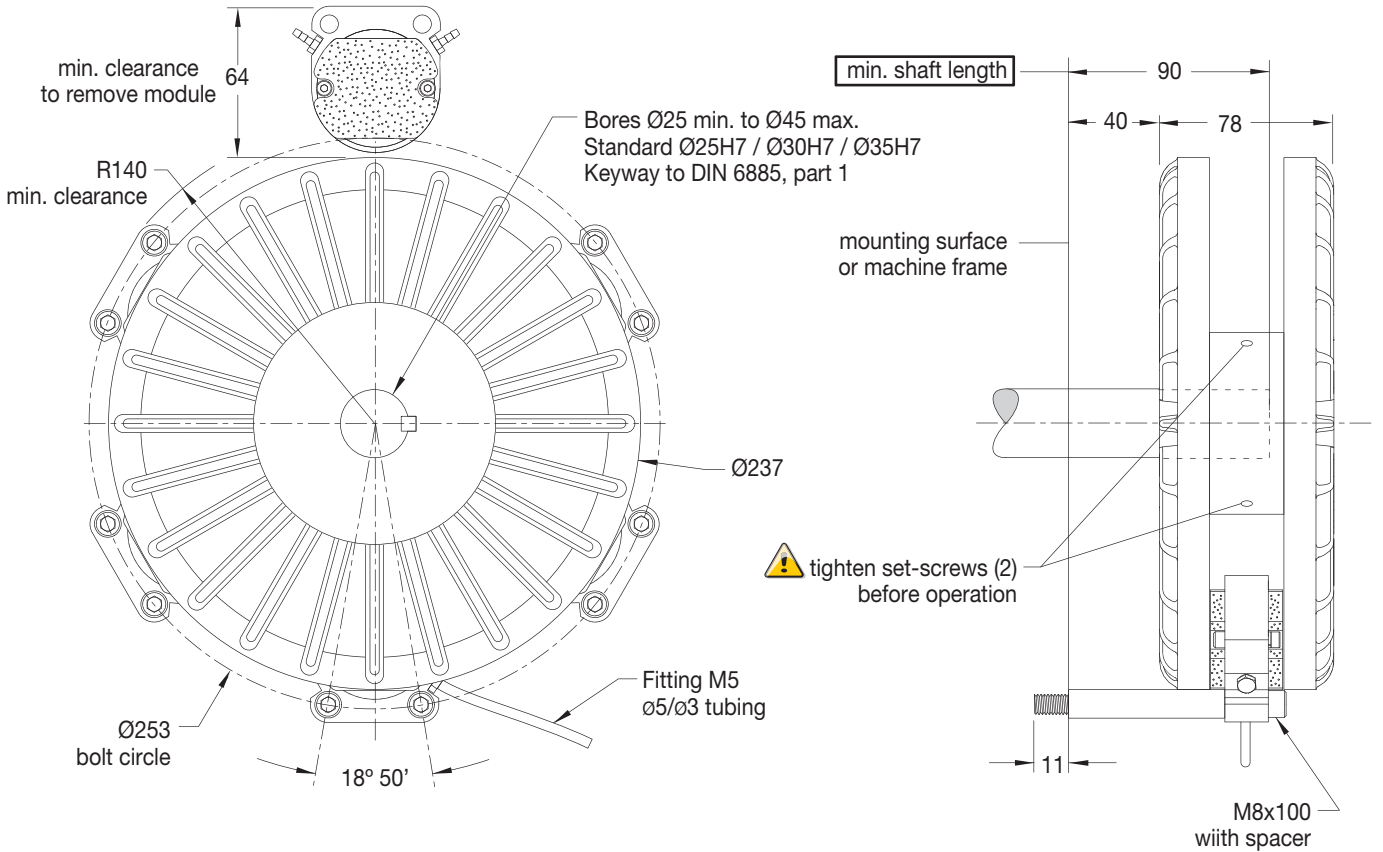
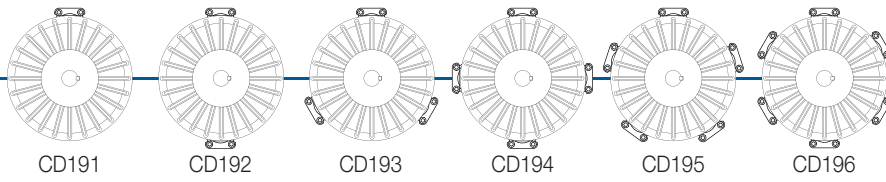
**CD100**



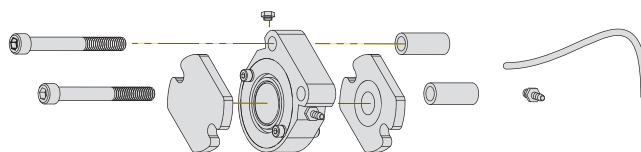
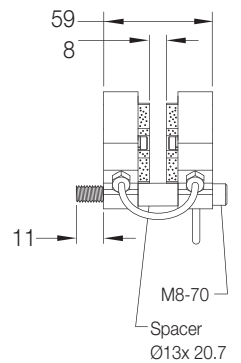
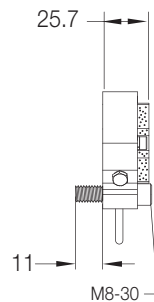
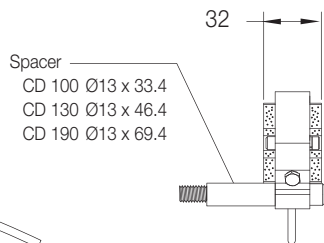
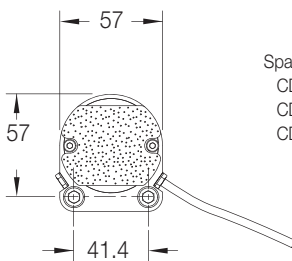
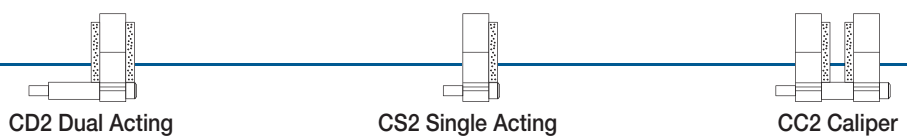
**CD130**

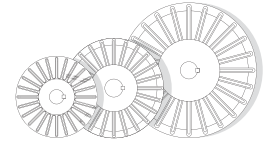


**CD190**



**C Series Friction Modules**



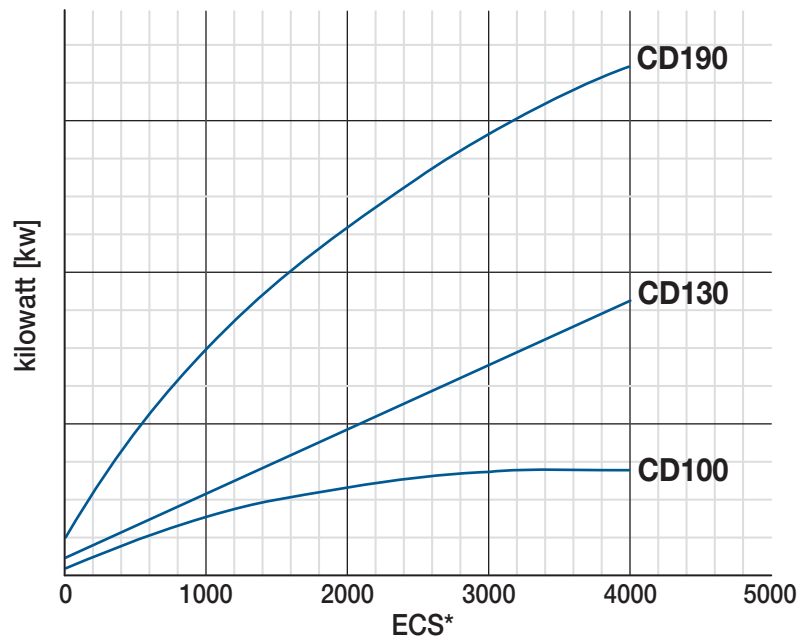


### Torque†

	Max. - Min. (Nm)		
	Max. @ 5.2 bar - Min. @ 0.07 bar		
	0.10 Fric. Coef.	0.30 Fric. Coef.	0.45 Fric. Coef.
<b>CD100</b>			
CD101	3.7	11	17
CD102	7.4	22	34
CD103	11.1	33	51
CD104	14.8	44	68
<b>CD130</b>			
CD131	5	15	23
CD132	10	30	46
CD133	15	45	69
CD134	20	60	92
CD135	25	75	115
CD136	30	90	138
<b>CD190</b>			
CD191	8	24	37
CD192	16	48	74
CD193	24	72	111
CD194	32	96	148
CD195	40	120	185
CD196	48	144	222

† Friction coefficients are nominal. Rated torque may vary depending on operating temperature.

### Effective Cooling Speed\*



\*Effective Cooling Speed (ECS)  
 The speed at which a brake will dissipate a given heat horsepower.

$$ECS = \frac{2 (rpm \min.) + rpm \max.}{3}$$

#### Testing

The brakes were mounted as recommended in the Brakes Installation Instruction Manual. No guard or cover was used. Addition of machine guarding, fan or blower cooling, differences in ambient conditions, location, mounting method, etc. will affect heat (hp) dissipation capacity of any air cooled brake. Careful consideration should be given to all conditions surrounding installation. Please consult The Montalvo Corporation for help in application sizing.

#### Temperature

Ambient 13 -16°C  
 Cast Iron Bulk 177°C  
 (humidity) 65 - 70%

#### Note

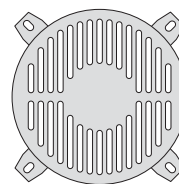
Montalvo Brakes are called upon to operate within a wide speed range when used in converting applications They do not carry "nominal" ratings.

Size	Max. RPM* [min <sup>-1</sup> ]	Moment of Inertia [kgm <sup>2</sup> ]	Total Weight [kg]
<b>CD100</b>	7000	0.013	2.9
<b>CD130</b>	5500	0.024	4.5
<b>CD190</b>	4285	0.061	10.5

\* Do not use to calculate kilowatt.

### Related Products

Safety Cover



Mounting Plate

