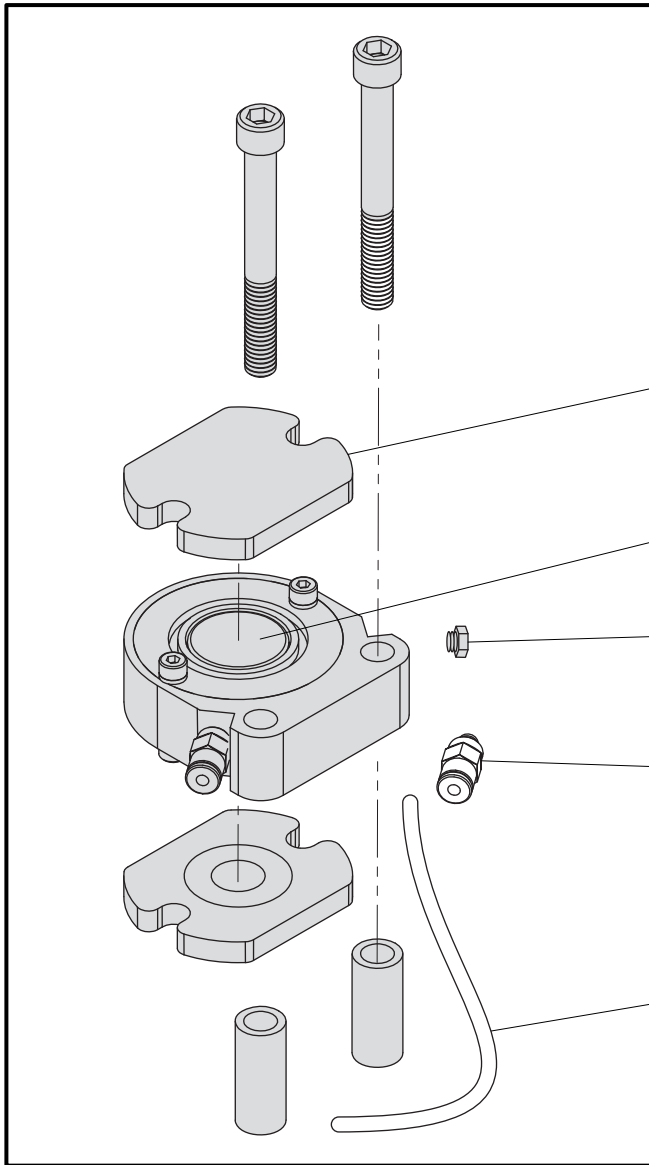


PARTS

CD2 Friction Module



CD-2 FRICTION MODULE KIT

CD 100	10001848
CD 130	10001850
CD 190	10001862

FRICTION PAD

x2



MAGNET

x2

1000265

PLUG

(10-32)

1800338

QUICK DISCONNECT

1/8 x 10-32

18000296

1/8 x 1/8 NPT

18000551

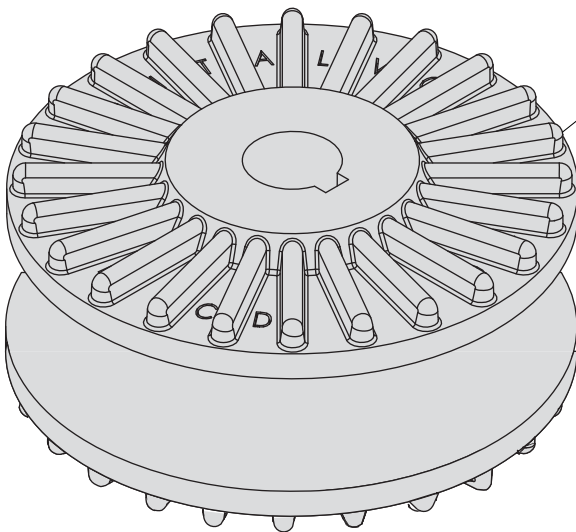
TUBING

1/16 TFE

2000036

ROTOR

shaft Ø



USA 1-800-226-8710 / +1-207-856-2501
 CN +86-21-61401822
 EU +45 75 57 27 11

Montalvo, 50 Hutcherson Drive, Gorham, Maine 04038 USA
 Tel: 800-226-8710 / 207-856-2501 Fax: 800-644-5097 / 207-856-2509 www.montalvo.com
 Prices and technical information subject to change without notice. © montalvo

montalvo
 Better Web Control