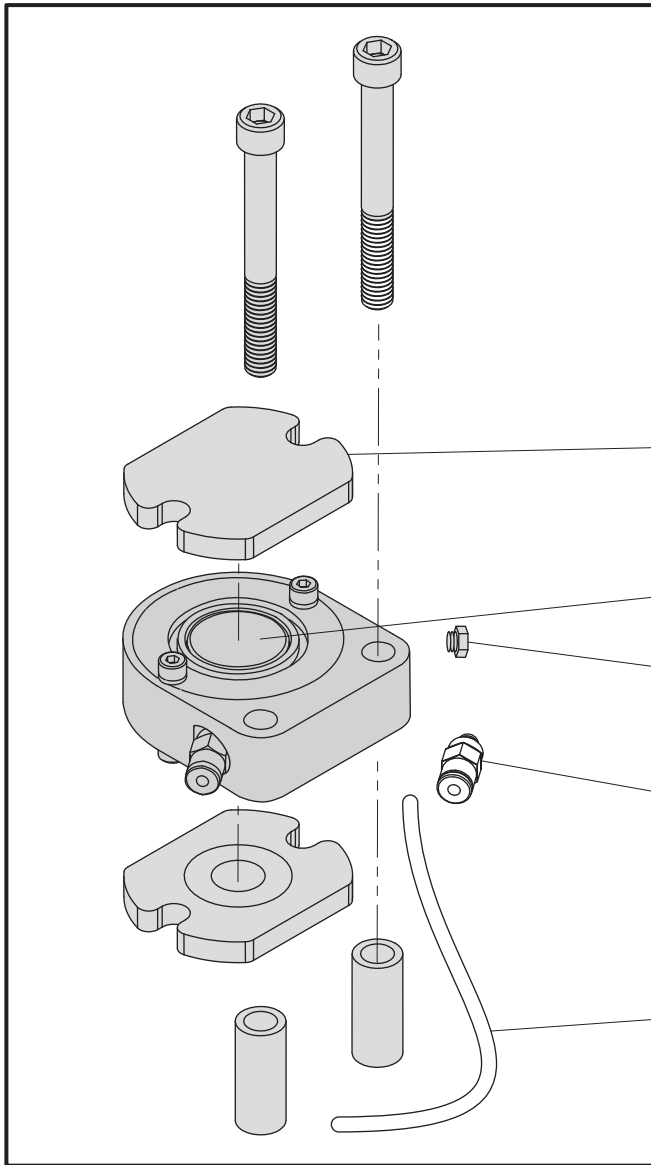


PARTS

CD2 Brake Friction Module

05-09-2023-1



FRICITION MODULE KIT		
CD 100		10001848
CD 100 (metric)		10002058
CD 130		10001850
CD 130 (metric)		10002077
CD 190		10001862
CD 190 (metric)		10002068

FRICITION PAD		
x2		


MAGNET		
x2		10000265

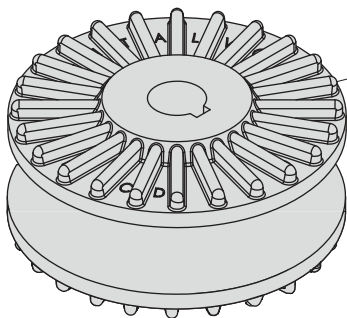
PLUG		
10-32		18000338


QUICK DISCONNECT		
1/8" x 10-32		18000296
M5 x 4mm (metric)		18000674

TUBING		
1/8" TFE		20000036
4mm TFE (metric)		20000324

QUICK DISCONNECT (supply line)		
1/8" x 1/8" NPT		18000551
1/8" NPT x 4mm (metric)		18000882
(for upstream end of air SUPPLY line supplied with new brake)		

ROTORS		
---------------	--	---




 USA 1-800-226-8710 / +1-207-856-2501
 CN +86-21-52188010
 EU +45 75 57 27 11
 DE +49 (0)511 760 691 41

Montalvo, 50 Hutcherson Drive, Gorham, Maine 04038 USA
 info@montalvo.com www.montalvo.com
 Prices and technical information subject to change without notice. © montalvo