



montalvo

M Caliper Series Model M 70 & M 100 Brakes

Bulletin No. 91BMC-1EM

Horsepower

Montalvo Brakes are called upon to operate within a wide speed range when used in converting applications. They do not carry "nominal" ratings.

Effective Cooling Speed

Effective Cooling Speed (n_{ECS}) is the speed at which a brake will dissipate a given heat horsepower.

$$n_{ECS} = \frac{2 \times n_{min} + n_{max}}{3}$$

Test Conditions

The curve was generated under the following conditions:

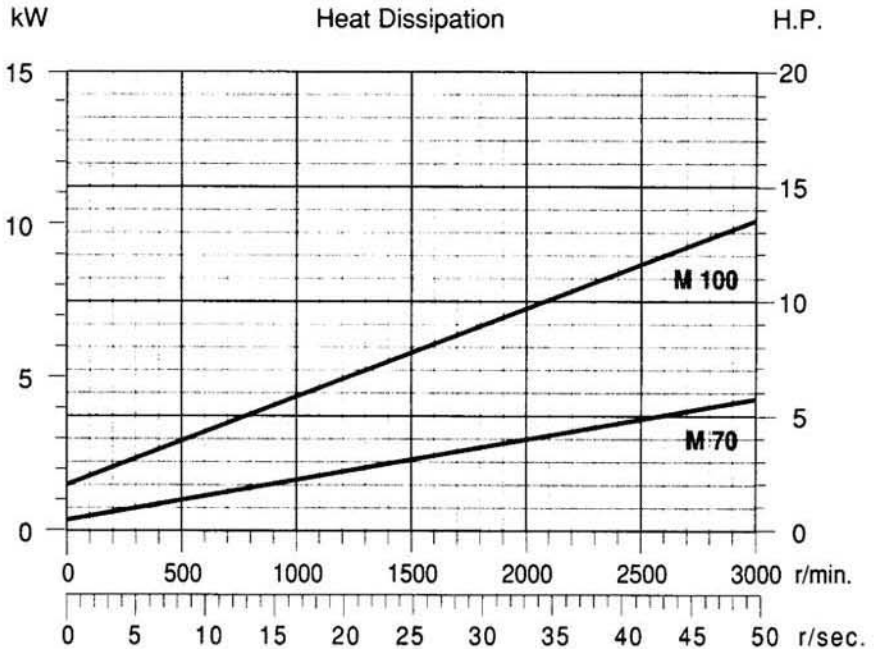
Ambient temp: 13° - 16° C
Humidity: 65 - 70%
Cast iron bulk temp: 177° C

The brakes were mounted as recommended in Installation Bulletin No. 89 IBMC-1EM. No guard or cover was used during testing.

Addition of machine guarding, fan or blower cooling, differences in ambient conditions, location, mounting method, etc. will affect heat (kW/H.P.) dissipation capacity of any air cooled brake or clutch. Careful consideration should be given to all conditions surrounding installation. Please consult Montalvo for help in application sizing.

Note: HP, torque and other engineering figures do not necessarily apply to customer supplied caliper discs.

© 1991 Montalvo



Torque: Max. pair = 5.2 bar ; min. pair = 0.07 bar

M 70 Series	0.10 Pads		0.30 Pads		0.45 Pads	
	Nm		Nm		Nm	
Model	Max	Min	Max	Min	Max	Min
M 71	21	0.3	65	0.9	97	1.3
M 72	43		130		194	
M 73	65		194		291	
M 74	86		259		389	

M 70	
Weight (disc-hub): Kg	8.5
J (disc-hub): Kgm ²	0.08
Max. n: * r/sec	62.2
* Do not use this figure to calculate drive H.P.	

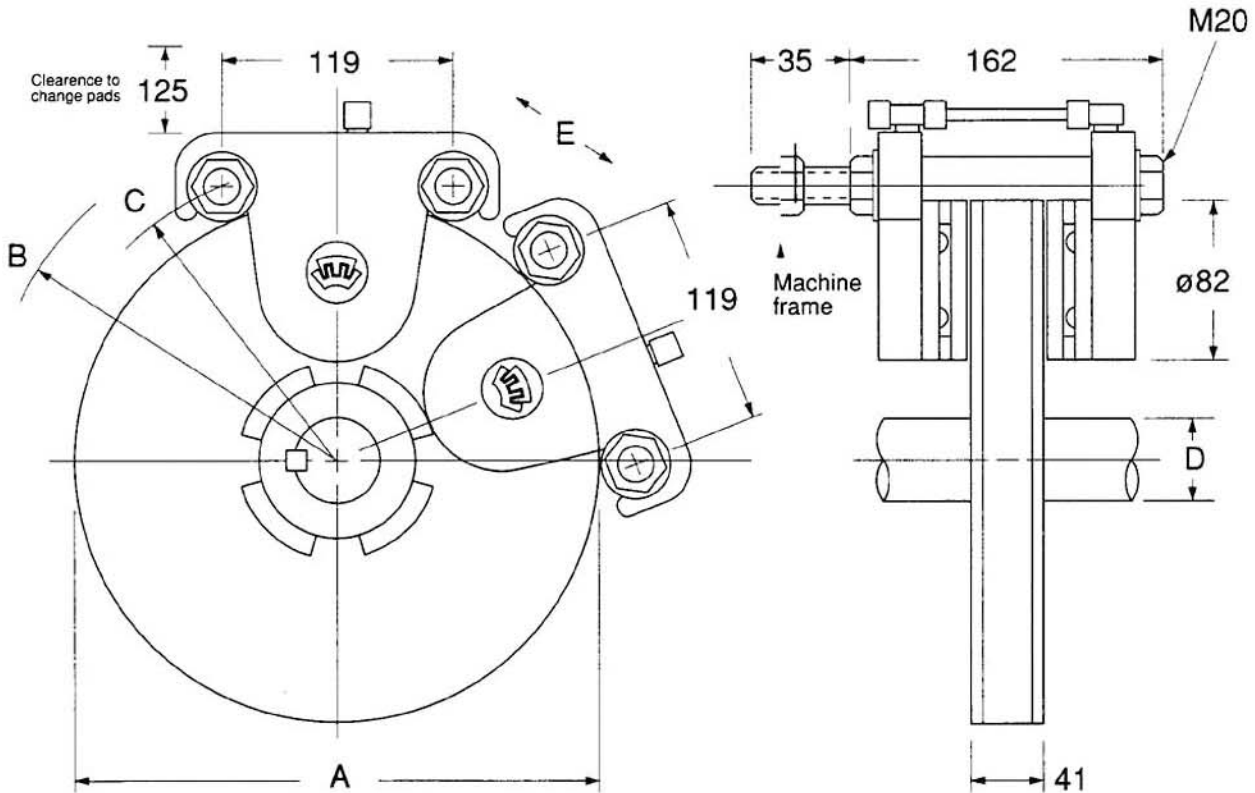
M 100 Series	0.10 Pads		0.30 Pads		0.45 Pads	
	Nm		Nm		Nm	
Model	Max	Min	Max	Min	Max	Min
M 101	31	0.4	92	1.2	139	1.9
M 102	61		185		277	
M 103	92		277		416	
M 104	123		369		554	
M 105	154		462		693	
M 106	185		554		831	

M 100	
Weight (disc-hub): Kg	12
J (disc-hub): Kgm ²	0.16
Max. n: * r/sec	48.7
* Do not use this figure to calculate drive H.P.	

Friction coefficients are nominal. Rated torques may vary depending on operating temperature.

This brochure, printed February 1991, supersedes all previous catalogs, data sheets and specification sheets. A copy of Application Survey No. 89ASQ-1EIM should be submitted to Montalvo prior to ordering.

Installation dimensions: M 70 and M 100 Brakes



Dimension	M 70	M 100
A	273	337
B	203	229
C	158	188
D max	ø 45	ø 65
D min	ø 25	ø 30
E	123	74
E min	68	68

Approximate Weight: M Caliper Friction Module = 3.6 Kg / M 70 Disc = 8.5 Kg. / M 100 Disc = 12 Kg

Montalvo's continuing commitment to product improvements make prices and specifications subject to change without notice.
 This drawing and the subject matter shown thereby are the exclusive property of The Montalvo Corporation. Reproduction of the drawing in whole or in part and the use of any of the information imparted thereby are strictly prohibited.
All dimensions are expressed in millimeters. Do not scale.
 When installing a Montalvo Brake, careful consideration should be given to all conditions surrounding installation. Please consult Montalvo for help in application sizing.
 * Open guarding (brake cover) is required in order to allow maximum cooling. Consult Montalvo for dimensional information on brake covers.
It is the customer's responsibility to provide ventilated guards or covers over brakes and clutches in order to comply with safety regulations.
 This brochure, printed in March, 1991, supersedes all previous catalogs, data sheets and specification sheets.
 © 1991 Montalvo A/S

montalvo 

No. 91BMC-1EM

Page 2 of 2