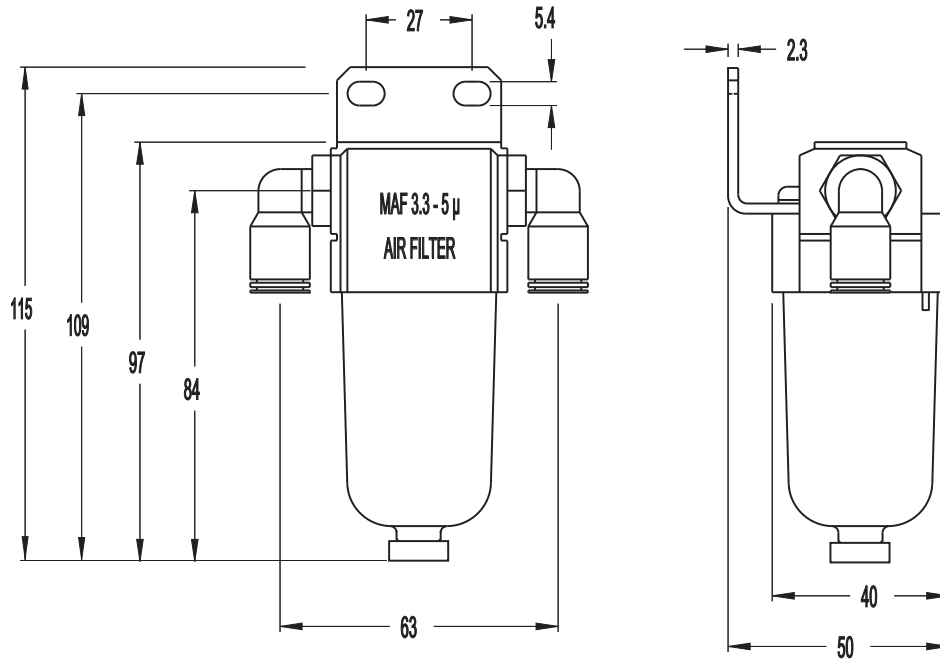


- Auto drain
- Compact filter
- Filtering 5 micron
- Purifies the air of particles and water

Filter MAF 3.3 Advantage

The pneumatic Montalvo MAF 3.3 filter is used to remove dirt and liquid in the air supply to the Montalvo I/P-converter MPC-5ce. The use of an optimal Montalvo MAF filter system in the air supply is recommended. Failure to do so may degrade the function, performance and service life of the I/P-converter considerably. Montalvo MAF 3.3 is a quality filter with auto drain in the Montalvo system accessories program.

TECHNICAL: FILTER MAF 3.3



Specifications

Connecting thread	.G 1/4
Connecting fittings	.2 x angle for Ø8 mm hose
Testing pressure	.15 bar
Max. working pressure	.10 bar
Working temperature range	.5 - 60° C
Filter fineness	.5 micron
Material of tank	Polycarbonate
Drain capacity	.8 cm ³
Weight	.0,18 kg

Installation

The MAF 3.3 filter is delivered with a mounting kit consisting of: 2 pcs. of M5x12 screws, 2 pcs. of M5 nuts, 4 pcs. of M5 facet disks and 2 pcs. of M5 toothed washers. Before hoses are mounted on the filter, these must be carefully purified of impurities. The MAF 3.3 filter is mounted with the tank pointing downwards, and must be connected so that the air flow goes in the direction of the arrow.

Maintenance

If the MAF 3.3 filter does not work, you must make sure that the air flow direction is correct. If the air flow performance decreases considerably, or there is a high pressure drop over the component, then the filter element must be cleaned or exchanged. The tank of polycarbonate must not come into contact with synthetic oils, diluent, trichlor, kerosin or other aromatic hydrocarbons. Only neutral detergents must be used for cleaning.



USA • Denmark • Japan

worldwide web control