



montalvo

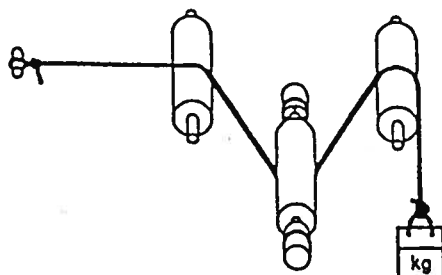
Applications:

The IM-1 module is used together with Montalvo transducers for indicating the exact web tension on process machines such as printing presses, embossers, coaters, laminators, slitters, rewinders and label presses.

Adjustment procedure:

1. Check that the transducer roller is correctly mounted (see bulletin 911TR-1DK)
2. Check that the instrument is adjusted to zero mechanically.
3. With unloaded transducer roller ZERO is adjusted until the instrument shows 0 or 0V is measured on output 4.

4. Pull a line across the centre of the transducer roller following the same path as the web through the machine. The line must pass at least 1 roller before and after the transducer roller. All rollers, which are being touched by the line must be able to rotate freely. One end of the line must be anchored. Mount a known weight at the other end of the line at least min. 25% of the max. reading of the instrument.

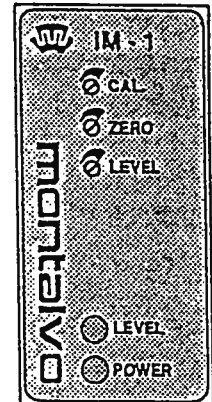
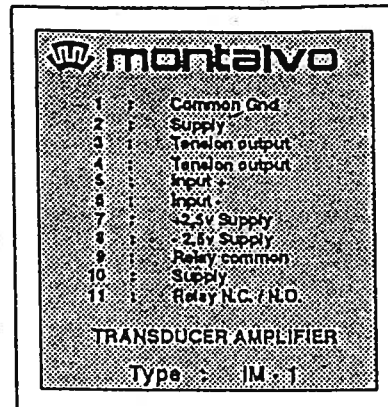


5. Adjust CAL until the instrument shows the exact weight.
6. Remove the weight and check that the indicator returns to 0. If not, repeat point 3-6.

Alarm Level Adjustment:

Affect the transducer roller with the weight at which the alarm should activate. Adjust the LEVEL potentiometer until the light-emitting diode lights up.

TRANSDUCER AMPLIFIER IM-1



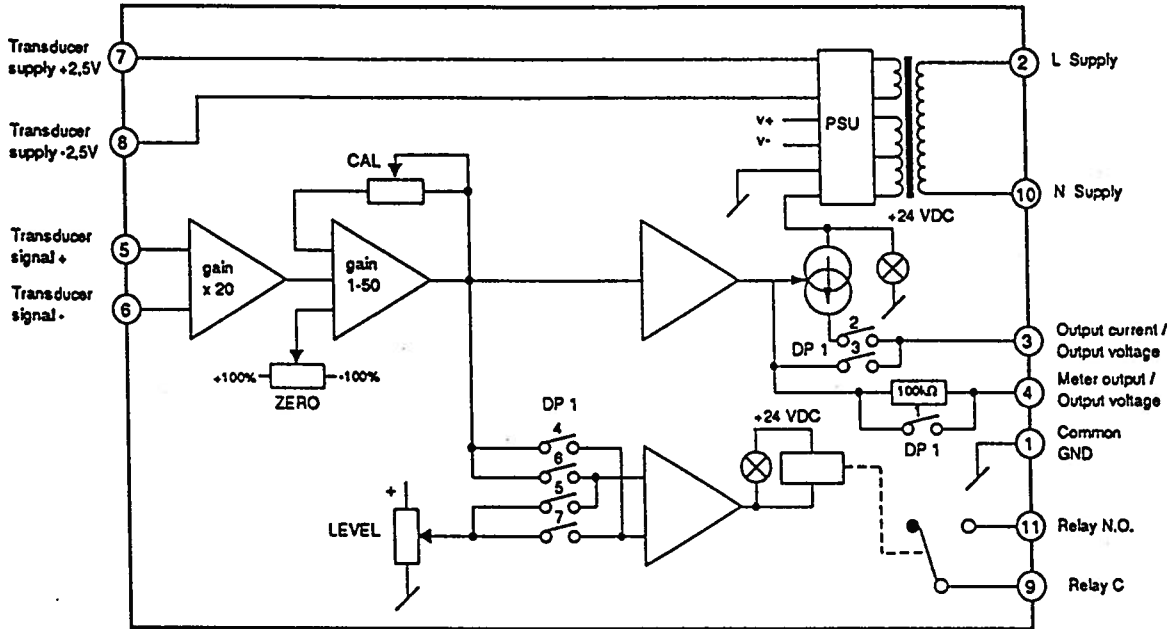
Electrical specifications:

- Supply Voltage: 220 VAC \pm 10 % / 50Hz
..... (110 VAC \pm 10 % / 60Hz)
- Transducer Supply: 5VDC
- Ambient Temperature: - 10 to + 40 °C
- Zero range: 100% of transducer rating (250mV)
- Calibration range: (gain) 20-550
- Accuracy: better than 1 %
- Meter output: 0-100 μ A (R₀=100k Ω)
- Recorder output: 0-10V or 0-20mA or 4-20mA
- Alarm level adjustable: 0-100%
- Level hyst.: 2 % (standard)
- Relay Contact Rating: .. 500VA max. 250V RMS / 2A (100WDC)

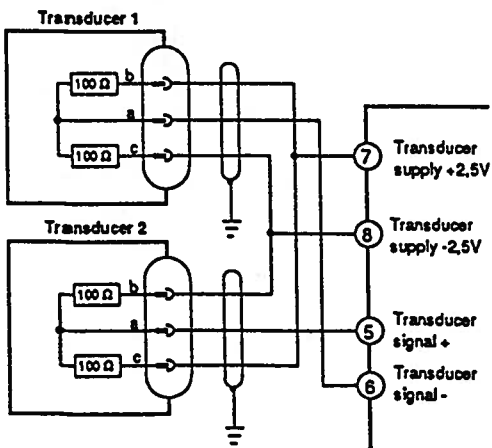
Order: IM - 1

TYPE	SUPPLY	OUTPUT: ③	OUTPUT: ④	FUNCTION:
IM - 1	220 VAC / 50 HZ : A	0 - 10 V : 1	0 - 100 μ A : C	LO Level N.O. : 4
	110 VAC / 60 HZ : B	0 - 20 mA : 2	0 - 10 V : D	HI Level N.O. : 5
		4 - 20 mA : 3		

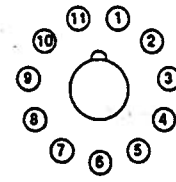
Block diagram :



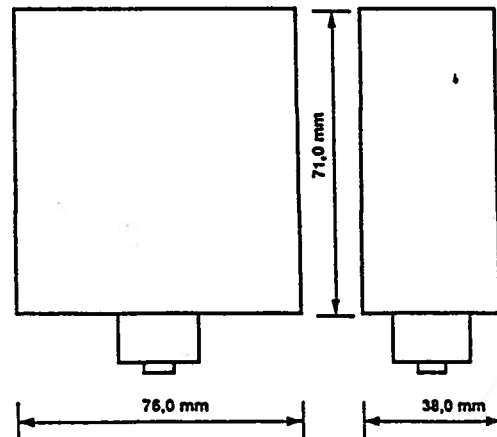
Transducer Installation :



Mechanical specifications:



Bottom view



PROGRAMMING :

OUTPUT ③	DP 1	ALARM ⑪	DP 1
0 - 10V	2 off, 3 on	LO Level	4 on, 5 on, 6 off, 7 off
0 - 20mA	2 on, 3 off	HI Level	4 off, 5 off, 6 on, 7 on
4 - 20mA			

OUTPUT ④	DP 1
0 - 10V	1 on
0 - 100 μ A	1 off