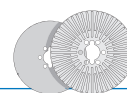


## HPS-Series

High Performance Single Disc Clutches



### Montalvo HPS-Series High Performance Single Disc Clutches

HPS Series 6 8

HPS-Series Clutches use a single HP Series Brake disc to control tension in limited space applications. Featuring high performance, a wide torque range, and low maintenance, the HPS clutch ensures a uniform, precise and high quality rewind process. Maximize the capabilities of your rewind with a compact, easy to install HPS Series Clutch.

#### Features

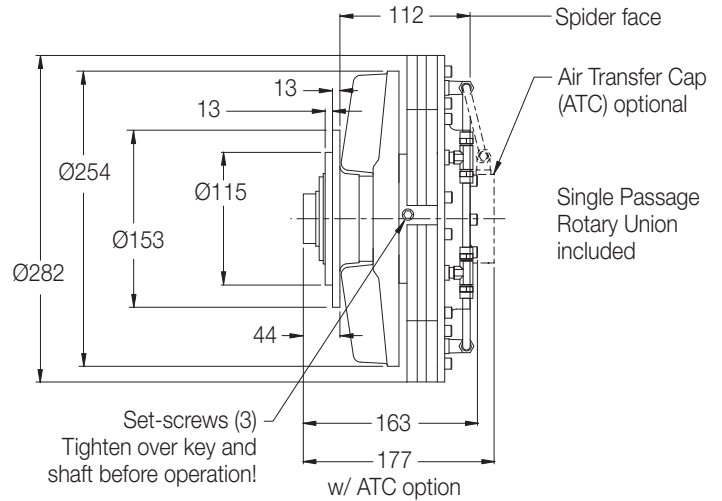
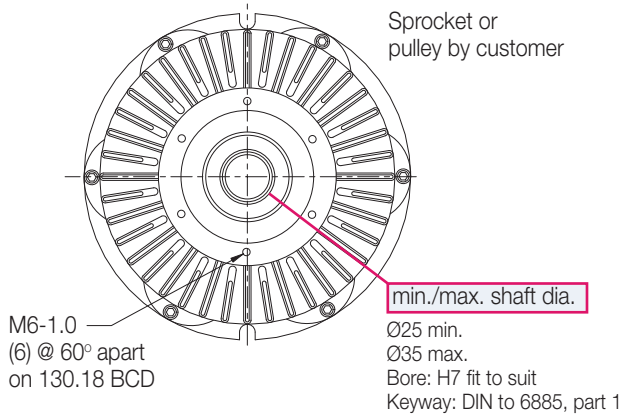
- ▶ Compact modular design
- ▶ High thermal capacity
- ▶ Wide torque range & capacity
- ▶ Bidirectional Operation
- ▶ Easy installation & low maintenance

# HPS-Series

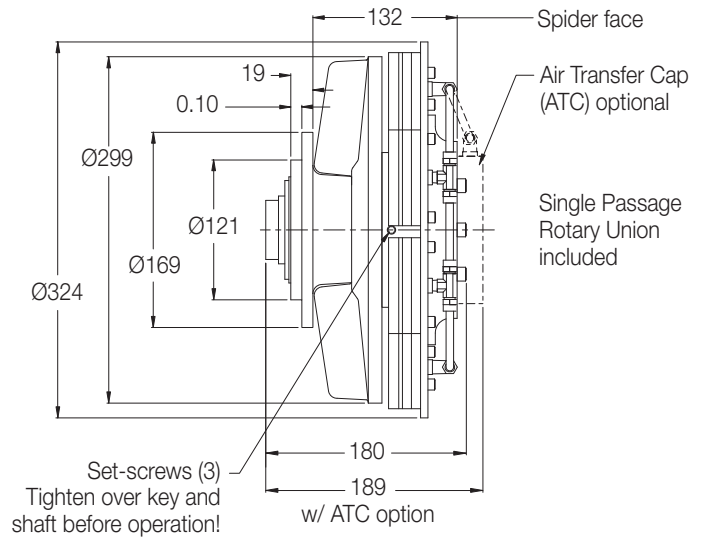
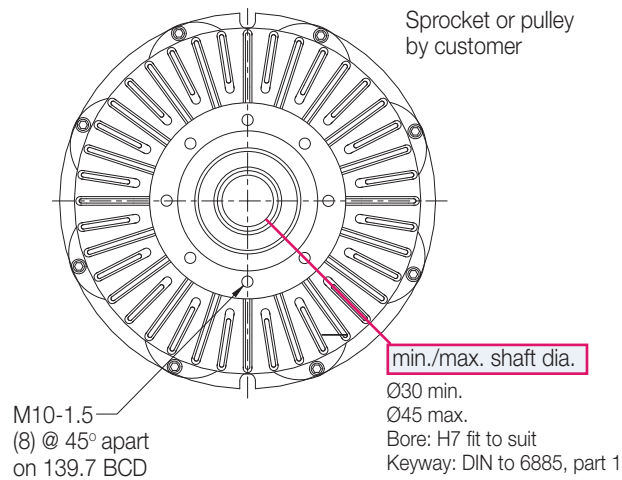
High Performance Single Disc Clutches



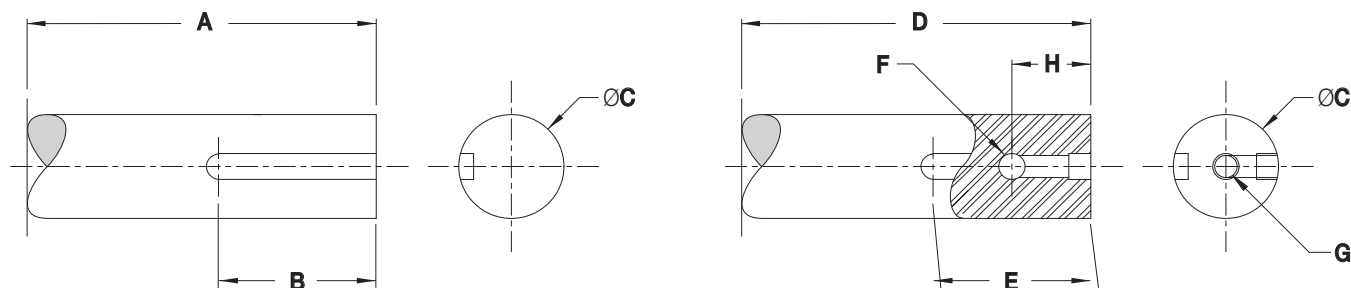
## HPS 6



## HPS 8

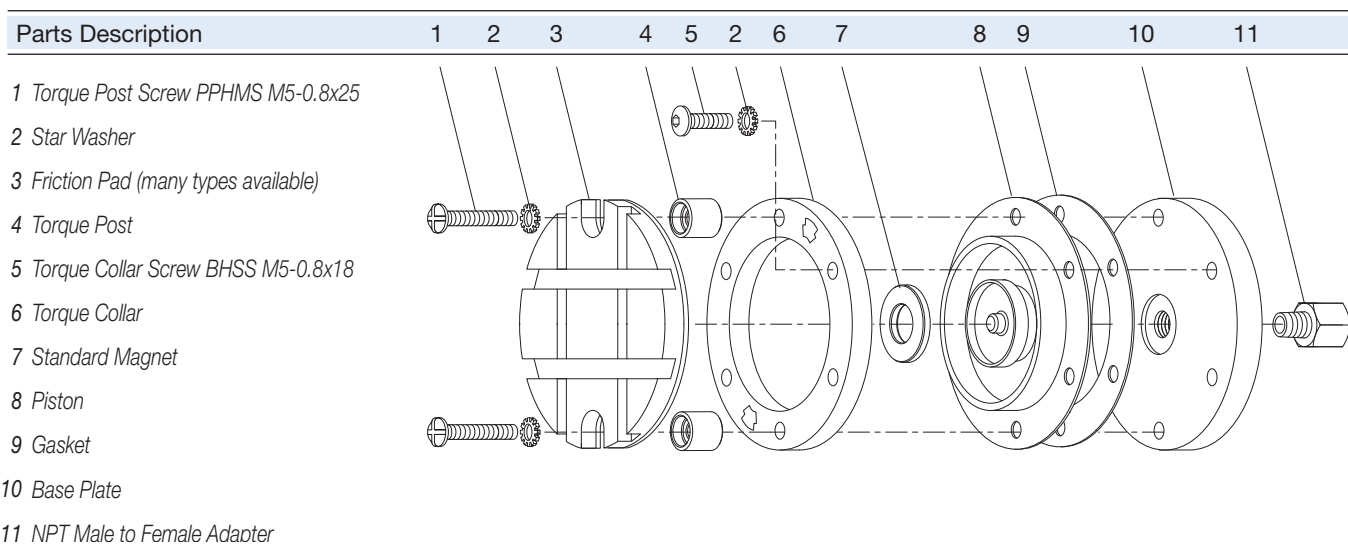


## Shaft Preparation



Size	A	B (key length)	C (min.)	C (max.)	D	E	F	G	H
HPS 6	154	48	25	35	193	81	1/8-27 NPT	1/8-27 NPT	24
HPS 8	166	51	30	45	202	87	1/8-27 NPT	1/8-27 NPT	24

## Friction Module



For a complete list of friction module replacement/spare parts visit [www.montalvo.com](http://www.montalvo.com)

# HPS-Series

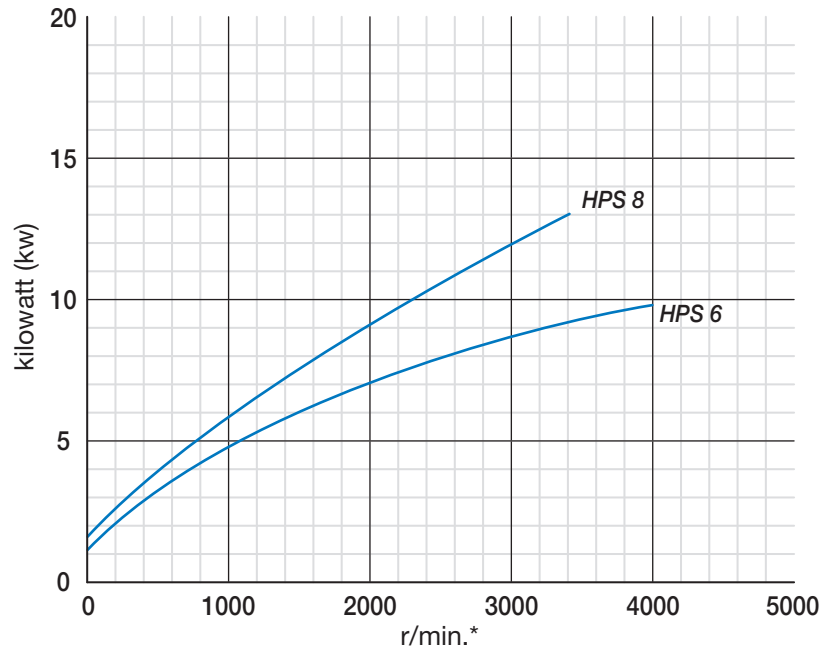
High Performance Single Disc Clutches

## Torque†

	Max. - Min. (Nm)					
	(Max. @ 5.2 bar) - (Min. @ 0.07 bar x1 cylinder)					
	LOW Friction		MEDIUM Friction		HIGH Friction	
<b>HPS 6</b>						
HPS602	24	0.3	72	1.0	108	1.40
HPS603	36	0.5	108	1.5	163	2.2
HPS604	48	0.6	145	1.9	217	2.9
HPS606	72	0.9	217	2.9	325	4.3
<b>HPS 8</b>						
HPS802	29	0.4	88	1.2	133	1.8
HPS804	59	0.8	177	2.4	265	3.5
HPS806	88	1.2	265	3.5	398	5.3
HPS808	118	1.5	354	4.7	531	7.1

† Friction values are nominal. Rated torque may vary depending on operating temperature.

## Effective Cooling Speed\*



### \*Effective Cooling Speed (nECS)

The speed at which a clutch will dissipate given kilowatts.

$$nECS = \frac{2 \times n \text{ min.} + n \text{ max.}}{3}$$

### Testing

Clutches were mounted as recommended in *Installation Instructions*. No guard or cover was used. Addition of machine guarding, fan or blower cooling, differences in ambient conditions, location, mounting method, etc. will affect heat dissipation capacity of any air cooled clutch. Careful consideration should be given to all conditions surrounding installation. Consult Montalvo for help in application sizing.

Conditions: Ambient temp. 13 -16°C  
Cast Iron Bulk 177°C  
Humidity 65 - 70%

Size	Max. r/min.*	Moment of Inertia [kgm²]	Total Weight [kg]
<b>HPS 6</b>	4300	0.09	17
<b>HPS 8</b>	3400	0.23	27

Do not use to calculate kilowatt.

### Note:

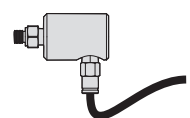
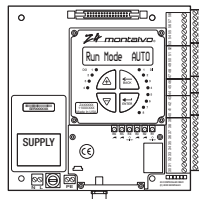
Montalvo Clutches are called upon to operate within a wide speed range when used in converting applications They do not carry "nominal" ratings.

## Related Montalvo Products

Rewind Tension Controllers

I/P Converters

Rotary Unions



	207-856-2501 / 800-226-8710
	+86-21-52188010
	+45 75 57 27 11
	+49 (0)511 760 691 41

The Montalvo Corporation

EST. 1947



Better Web Control®

Tel: EU +45 75 57 27 11 / USA +1 207-856-2501

Fax: USA +1 207-856-2509

info.eu@montalvo.com www.montalvo.com

Technical details subject to change without notice. CHPS-GB-02 © Montalvo