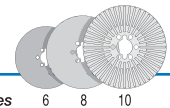


HPS-Series

High Performance Single Disc Clutches



Montalvo HPS-Series High Performance Single Disc Clutches



HPS Series 6 8 10

HPS-Series Clutches use a single HP Series Brake disc to control tension in limited space applications. Featuring high performance, a wide torque range, and low maintenance, the HPS clutch ensures a uniform, precise and high quality rewind process. Maximize the capabilities of your rewind with a compact, easy to install HPS Series Clutch.

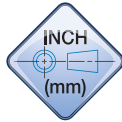
Features

- ▶ Compact modular design
- ▶ High thermal capacity
- ▶ Wide torque range & capacity
- ▶ Bidirectional Operation
- ▶ Easy installation & low maintenance

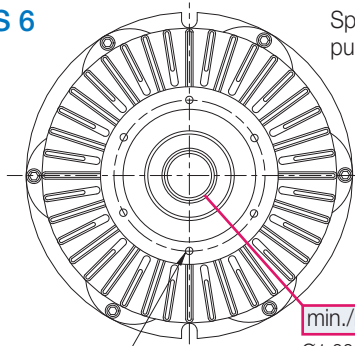
Montalvo

HPS-Series

High Performance Single Disc Clutches



HPS 6

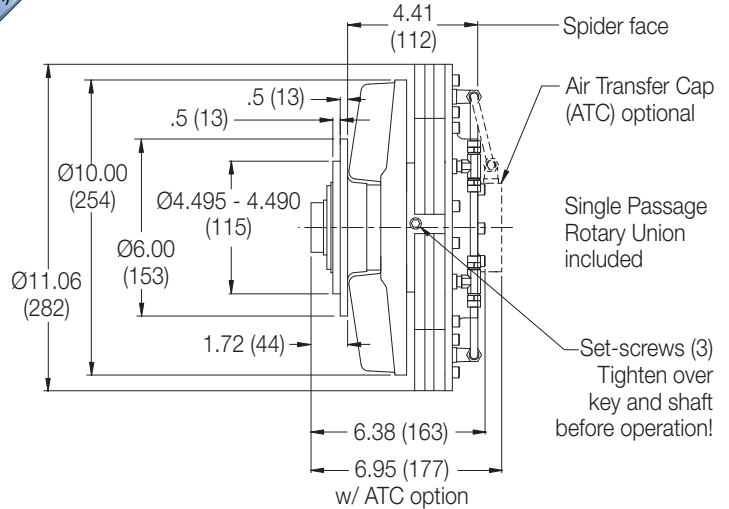


Sprocket or pulley by customer

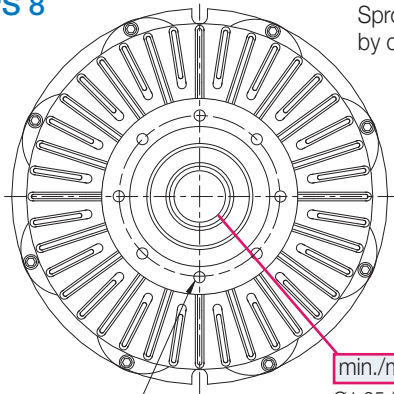
min./max. shaft dia.

6x M6-1.0 Thru
@ 60° apart
on 5.125 (130.18) BCD

Ø1.000 (25) min.
Ø1.25 (30) available
Ø1.375 (35) max.
Bore: LC4 fit to suit (USA)
H7 fit to suit (METRIC)
Keyway: Class 1 fit (USA)
DIN to 6885, part 1 (METRIC)



HPS 8

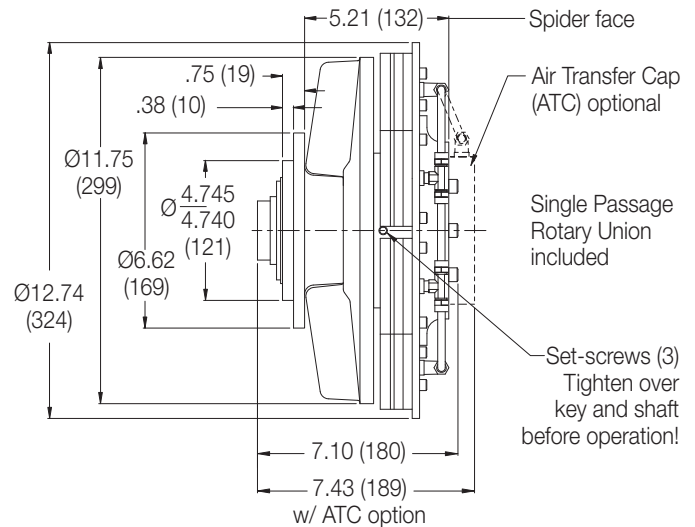


Sprocket or pulley by customer

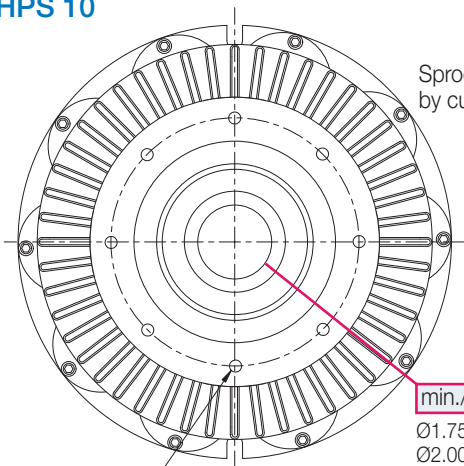
min./max. shaft dia.

8x M10-1.5 HL
@ 45° apart
on 5.500 (139.7) BCD

Ø1.25 (30) min.
Ø1.375 (35) available
Ø1.625 (40) available
Ø1.750 (45) max.
Bore: LC4 fit to suit (USA)
H7 fit to suit (METRIC)
Keyway: Class 1 fit (USA)
DIN to 6885, part 1 (METRIC)



HPS 10

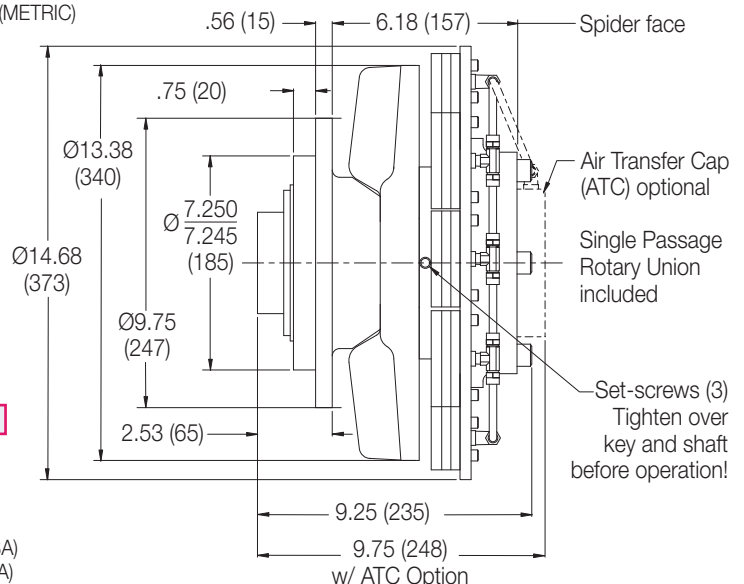


Sprocket or pulley by customer

min./max. shaft dia.

8x M12-1.75
@ 45° apart
on 8.375 (212.73) BCD

Ø1.75 (45) min.
Ø2.00 (50) available
Ø2.25 available
Ø2.50 (60) max.
Bore: LC4 fit to suit (USA)
Keyway: Class 1 fit (USA)



EST. 1947

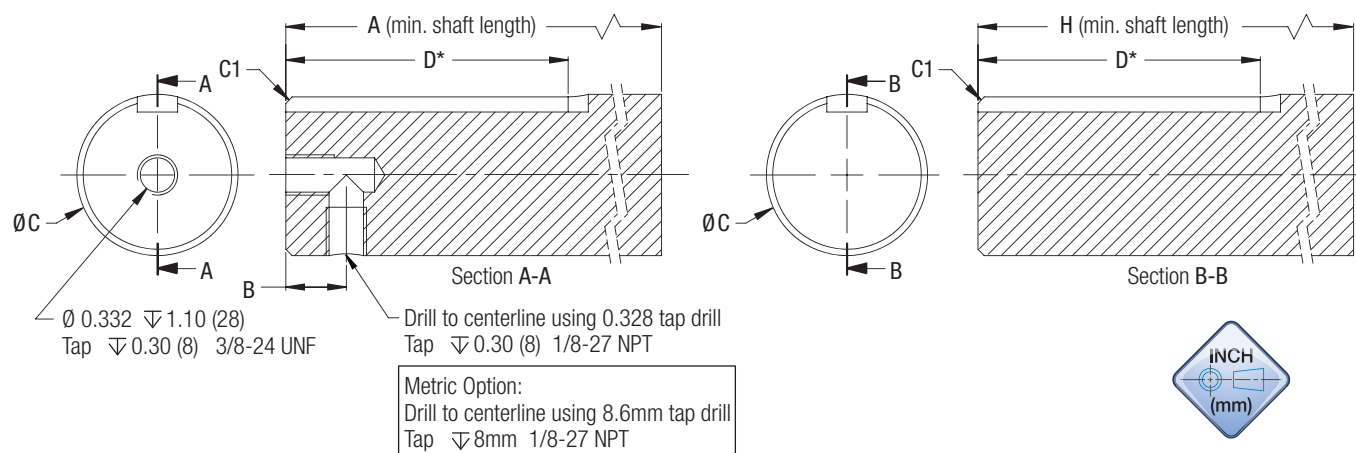
montalvo

Better Web Control®

Shaft Preparation

For Montalvo Rotary Union (RU) Option

For Montalvo Air Transfer Cap (ATC) Option
(no drilling/tapping required)



Size	A	B	C	C1	D	H
HPS 6	7.58 (192)	0.94 (24)		0.04 x 45° (1 x 45°)	3.43 (87)	6.95 (177)
HPS 8	7.97 (202)	0.94 (24)	LC4 fit (USA) and H7 fit to suit (METRIC) Engineering prints available upon request.	0.04 x 45° (1 x 45°)	3.42 (87)	7.43 (189)
HPS 10	10.07 (256)	0.94 (24)		0.04 x 45° (1 x 45°)	4.00 (102)	9.75 (248)

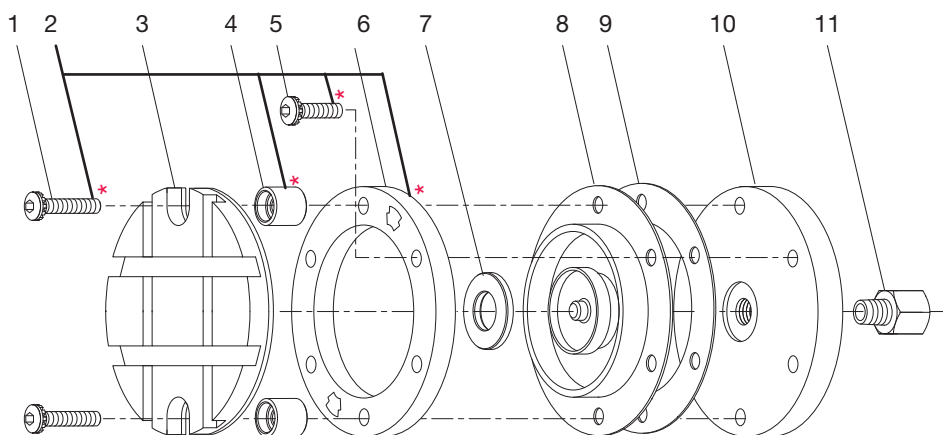
* Keyway: Class 1 fit (USA) DIN to 6885, part 1 (METRIC)

Friction Module

Add or replace a module

Parts Description

- 1 Torque Post SEM Screw BHSS M5x0.8x25
- 2 Torque Post Kit* (incl. posts, screws & collar)
- 3 Friction Pad (many types available)
- 4 Torque Post
- 5 Torque Collar SEM Screw BHSS M5x0.8x18
- 6 Torque Collar
- 7 Standard Magnet
- 8 Piston
- 9 Gasket
- 10 Base Plate
- 11 NPT Male to Female Adapter



For a complete list of clutch and friction module replacement/spare parts contact Montalvo.

HPS-Series

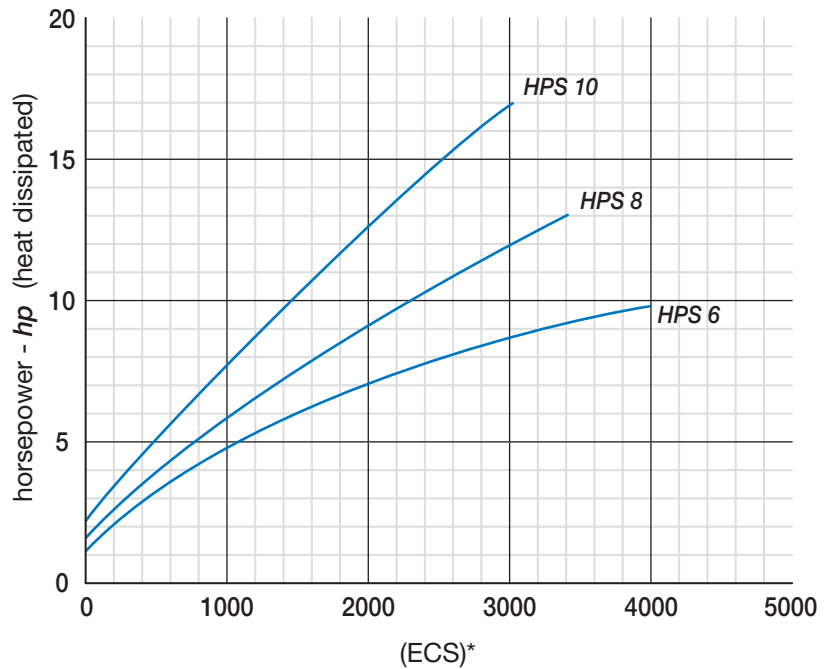
High Performance Single Disc Clutches

Torque[†]

	Max. - Min. (in-lb) (Max. @ 75 psi) - (Min. @ 1 psi)					
	LOW Friction		MEDIUM Friction		HIGH Friction	
HPS 6						
HPS602	213	2.8	640	8.6	960	12.4
HPS603	320	4.2	960	12.9	1440	19.2
HPS604	427	5.6	1280	17.2	1920	25.6
HPS606	640	8.4	1920	25.8	2880	38.4
HPS 8						
HPS802	261	3.4	783	10.4	1174	15.6
HPS804	522	6.8	1565	20.8	2348	31.2
HPS806	783	10.2	2348	31.2	3522	46.8
HPS808	1044	13.6	3131	41.6	4696	62.4
HPS 10						
HPS1002	312	4.2	936	12.4	1404	19.2
HPS1004	624	8.4	1872	24.8	2808	37.6
HPS1006	936	12.6	2808	37.2	4212	56.8
HPS1008	1248	16.8	3744	49.6	5617	75.2
HPS1010	1560	21.0	4681	62	7021	94

† Friction values are nominal. Rated torque may vary depending on operating temperature.

Effective Cooling Speed^{*}



*Effective Cooling Speed (ECS)
The speed at which a clutch will dissipate a given heat horsepower.

$$ECS = \frac{2 (\text{rpm min.}) + \text{rpm max.}}{3}$$

Testing

The clutches were mounted as recommended in the Clutch Installation Instruction Manual. No guard or cover was used. Addition of machine guarding, fan or blower cooling, differences in ambient conditions, location, mounting method, etc. will affect heat (hp) dissipation capacity of any air cooled clutch. Careful consideration should be given to all conditions surrounding installation. Contact Montalvo for help in application sizing.

Size	Max. Speed* rpm	Inertia (Wr ²) (disc-hub) lb/ft ²	Weight (disc-hub) lb
HPS 6	4300	2.2	38
HPS 8	3400	5.4	59
HPS 10	2900	10.5	98

* Do not use to calculate horsepower.

Conditions:

Ambient Temp.....55 - 60°F (13 -16°C)
Cast Iron Bulk.....350°F (177°C)
(humidity) 65 - 70%

Note

Montalvo Clutches are called upon to operate within a wide speed range when used in converting applications They do not carry "nominal" ratings.

Related Montalvo Products

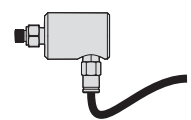
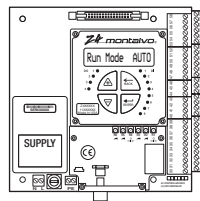
Rewind Tension Controllers

Electro-Magnetic Converters

Rotary Unions



	207-856-2501 / 800-226-8710
	+86-21-52188010
	+45 75 57 27 11
	+49 (0)511 760 691 41



The Montalvo Corporation

EST. 1947

montalvo

Better Web Control®

50 Hutcherson Drive, Gorham, Maine 04038 USA
Fax: 1-800-644-5097 / 207-856-2509

1-800-226-8710 / info@montalvo.com / www.montalvo.com
Technical details subject to change without notice. HPS-CLUTCH-US-10 © Montalvo