



- Easy to install
- 115 or 230 VAC field selectable
- Simple calibration and adjustment
- Output proportional to web tension
- Accurate, repeatable tension indication
- Measurement range fits most applications
- 24V alarm output with adjustable trip point

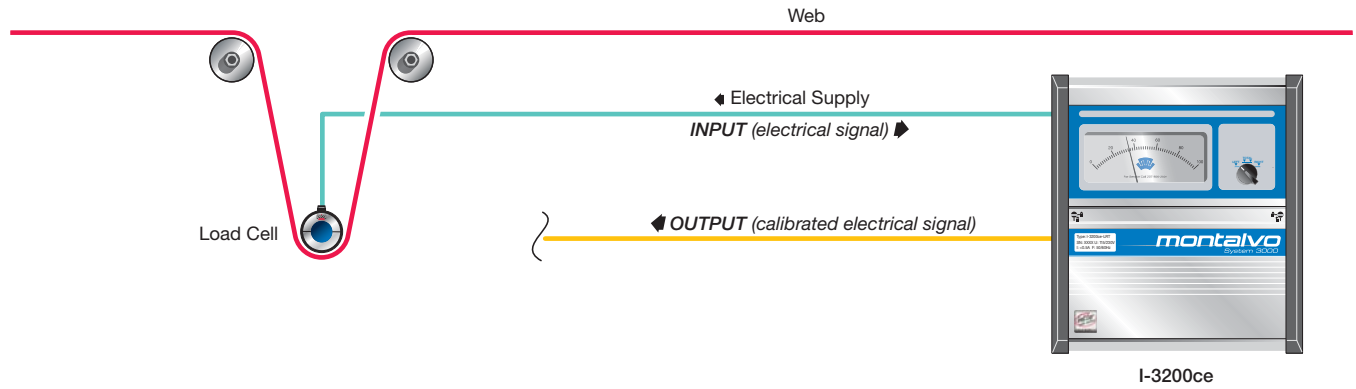
IP54 CE

System 3000™

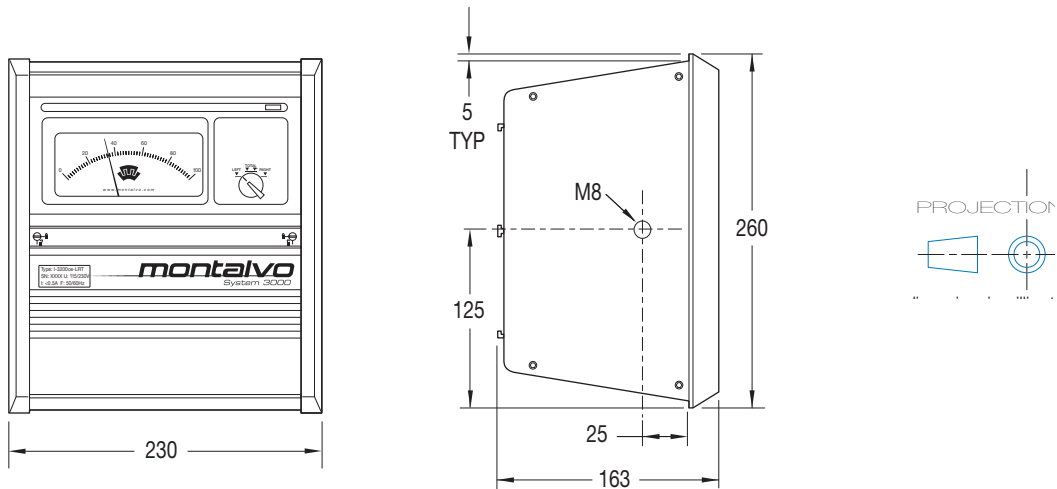
#### I-3200 Tension Indicator

I-3200ce indicators monitor web tension by amplifying load cell signals. They provide the excitation voltage as well as zero and calibration circuitry. The output can be used to drive a digital or analog tension meter. For further processing the output can also be interfaced to a PLC, a PC, or a DC, AC or servo drive. The I-3200ce modules work with Montalvo's N, T, R and UPB-Series semiconductor strain gauge load cells as well as with other brands. Three different indicators are available. The basic model, I-3200ce, monitors total web tension with adjustments for calibration and zero level. The I-3200ce-LTR provides one additional set of calibration and zero level adjustments for monitoring left, right and total tension simultaneously. The I-3200ce-HI/LO features dual range capability with two calibration adjustments for high and low gain setting.

### Typical Application



### Specifications



**Model**

- M-3200ce ..... Total Tension Indication
- M-3200ce-HI/LO ..... Total Tension Indication with Dual Range Capability
- M-3200ce-LTR ..... Left, Total & Right Tension Indication

**Specifications**

- Supply Voltage, Selectable ..... 115 or 230VAC ± 10% (IEC 204-1)
- Supply Frequency ..... 48-62 Hz
- Overvoltage Category ..... III (IEC 664)
- Maximum internal Fuse Size ..... 5x20 mm 115V/80mA(T) / 230V/50mA(T)
- Maximum Supply Fuse size ..... 10 A
- Maximum Power Consumption ..... 3.5 VA
- Load Cell Input ..... ± 250 mVDC
- Input Impedance ..... 100 kΩ
- Load Cell Supply ..... ± 2.50 VDC ± 1 %
- Zero Range Adjustment ..... 50% of Load Cell Rating (± 250 mVDC)
- Gain Adjustment ..... 11 to 510
- Alarm Output Voltage ..... 24 VDC ± 15 %
- Maximum Alarm Output Load ..... > 650 Ω
- Process Output Maximum Load (Current) ..... 500 Ω
- Process Output Maximum Load (Voltage) ..... 5000 Ω
- Testing Voltage - Primary to Secondary ..... 3.75kV for 1 minute
- Accuracy ..... Better than 1 %

**Other**

- Connections ..... Removable Terminal Blocks
- Mounting ..... DIN Rail 35mm
- Mounting Orientation ..... Not Critical
- Ambient Temperature Range: Operating ..... -10°C to 50°C
- Ambient Temperature Range: Storage ..... -10°C to 80°C
- Humidity ..... < 95% Non-Condensing
- Degree of Protection ..... IP20 (IEC 529)
- Material Degree of Inflammability ..... UL 94 VO
- Weight (approx.) ..... 0.3 kg
- Size (LxWxH) ..... 75mm x 45mm x 105mm
- Installation Environment (Pollution Degree) ..... 2
- EMC-Immunity ..... EN 50082-2 Industry
- EMC-Emission ..... EN 50081-1 Trade and Light Industry

**Features**

- Meter Output, Selectable ..... 0 to 100 μA / 0 to 10V, Max. Load 5 mA
- Process Output, Selectable ..... 0 to 20mA / 4 to 20 mA / 0 to 10V

