

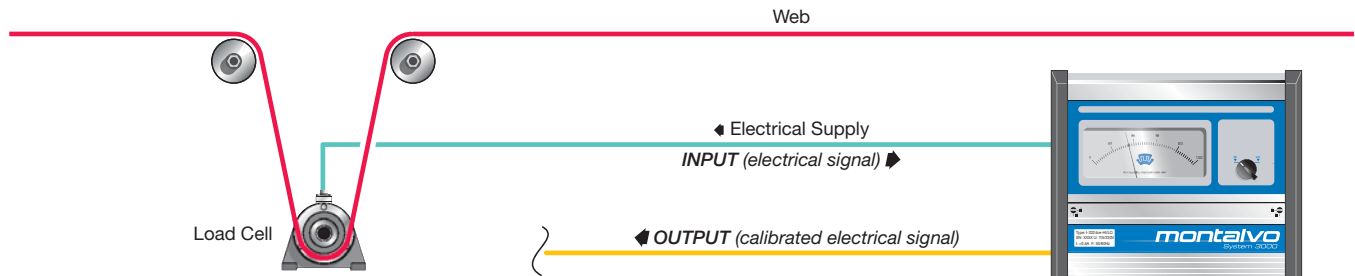
24V **IP54** **Montalvo I-3324 Tension Indicator**

The I-3324 indicates and monitors web tension by amplifying foil gauge load cell signals. It provides excitation voltage as well as zero and calibration circuitry. A large, user friendly analog meter indicates tension. The I-3324 is powered by 24VDC PLC and machine control circuitry.

Features

- ▶ 24 VDC
- ▶ Two models
- ▶ DIN rail mountable
- ▶ Output proportional to web tension
- ▶ Accurate, repeatable tension indication
- ▶ Measurement range fits most applications
- ▶ 24V alarm output with adjustable trip point
- ▶ Output can also interface with PLC, PC, or DC, AC or servo drive
- ▶ Compatible with Montalvo F-Series foil gauge load cells as well as with other brands

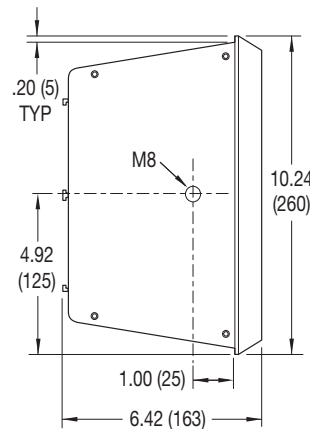
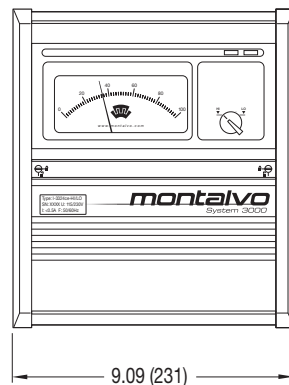
How they work



I-3324 indicates and monitors total web tension with adjustments for calibration and zero level
 I-3324-HI/LO features dual range capability with two calibration adjustments for high and low gain setting

I-3324

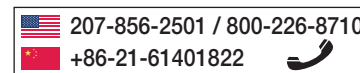
Specifications



Model	
I-3324ce.....	Total Tension Indication
I-3324ce-HI/LO	Total Tension Indication with Dual Range Capability

Electrical	
Supply Voltage	24VDC
Supply Frequency.....	48-62 Hz
Overvoltage Category.....	III (IEC 664)
Maximum Internal Fuse Size	5x20 mm 115V/80mA(T) / 230V/50mA(T)
Maximum Power Consumption.....	3.5 VA
Maximum Supply Fuse Size.....	10 A
Testing Voltage - Primary to Secondary	3.75 kV for 1 Minute
EMC-Immunity	EN 50082-2 Industry
EMC-Emission.....	EN 50081-1 Trade and Light Industry
Load Cell Input	±30 mVDC
Input Impedance	100 kW
Load Cell Supply.....	±5.0 VDC ±1%
Zero Range Adjustment.....	200% of Load Cell Rating (±60 mVDC)
Gain Adjustment.....	90 to 4400
Accuracy.....	Better Than 1%
Alarm Output Voltage	24 VDC ±15%
Meter Output, Selectable.....	0 to 100 µA / 0 to 10V, Max. Load 5 mA
Process Output, Selectable	0 to 20 mA / 4 to 20 mA / 0 to 10V
Maximum Alarm Output Load.....	>650 Ω
Process Output Maximum Load (Current).....	500 Ω
Process Output Maximum Load (Voltage).....	5000 Ω

Other	
Connections	Removable Terminal Blocks
Standard Meter Scales	0-5, 10, 25, 50, 150, 250, 500, 1000
Mounting Bracket	Supplied
Mounting Orientation	Not Critical
Ambient Temperature Range: Operating	14 to 122°F (-10 to 50°C)
Ambient Temperature Range: Storage	14 to 176°F (-10 to 80°C)
Humidity.....	<95% Non-Condensing
Material Degree of Inflammability	UL 94 V0
Degree of Protection.....	IP54 (IEC 529)
Installation Environment (Pollution Degree).....	2
Weight (approx.)	7 lb (3.18 kg)
Size (WxDxH).....	9.09 x 6.42 x 10.24 (231 x 163 x 260)
Cut-Out (WxH).....	8.86 x 9.96 (225 x 253)
Cut-Out Tolerance	±0.02 (±0.5)
Dimensions.....	inch (mm)



The Montalvo Corporation

50 Hutcherson Drive, Gorham, Maine 04038 USA
 Fax: 1-800-644-5097 / 207-856-2509

montalvo
 Better Web Control®

Montalvo 1-800-226-8710 / info@montalvo.com / www.montalvo.com
 Technical details subject to change without notice. I-3324-US-01 © Montalvo