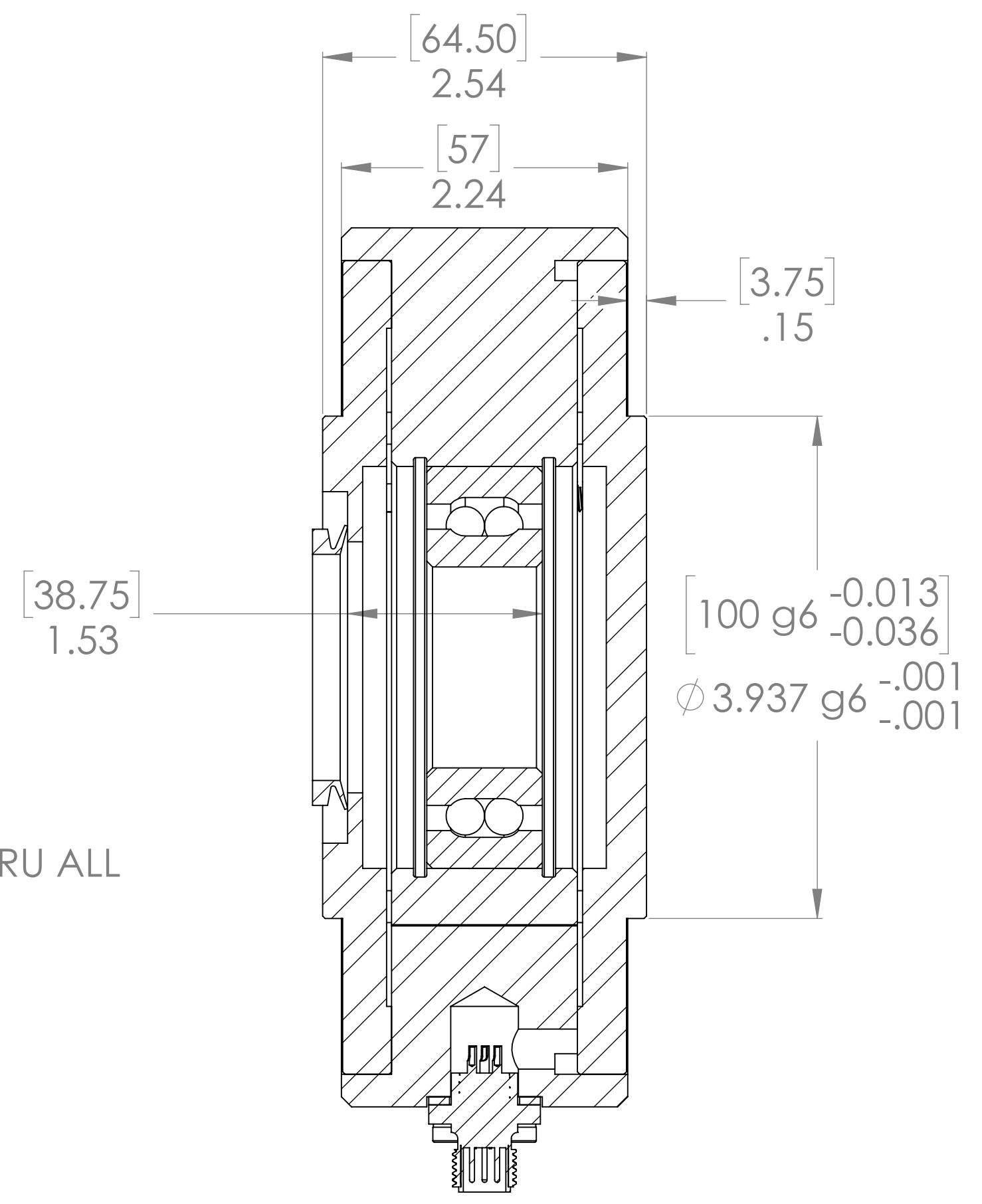
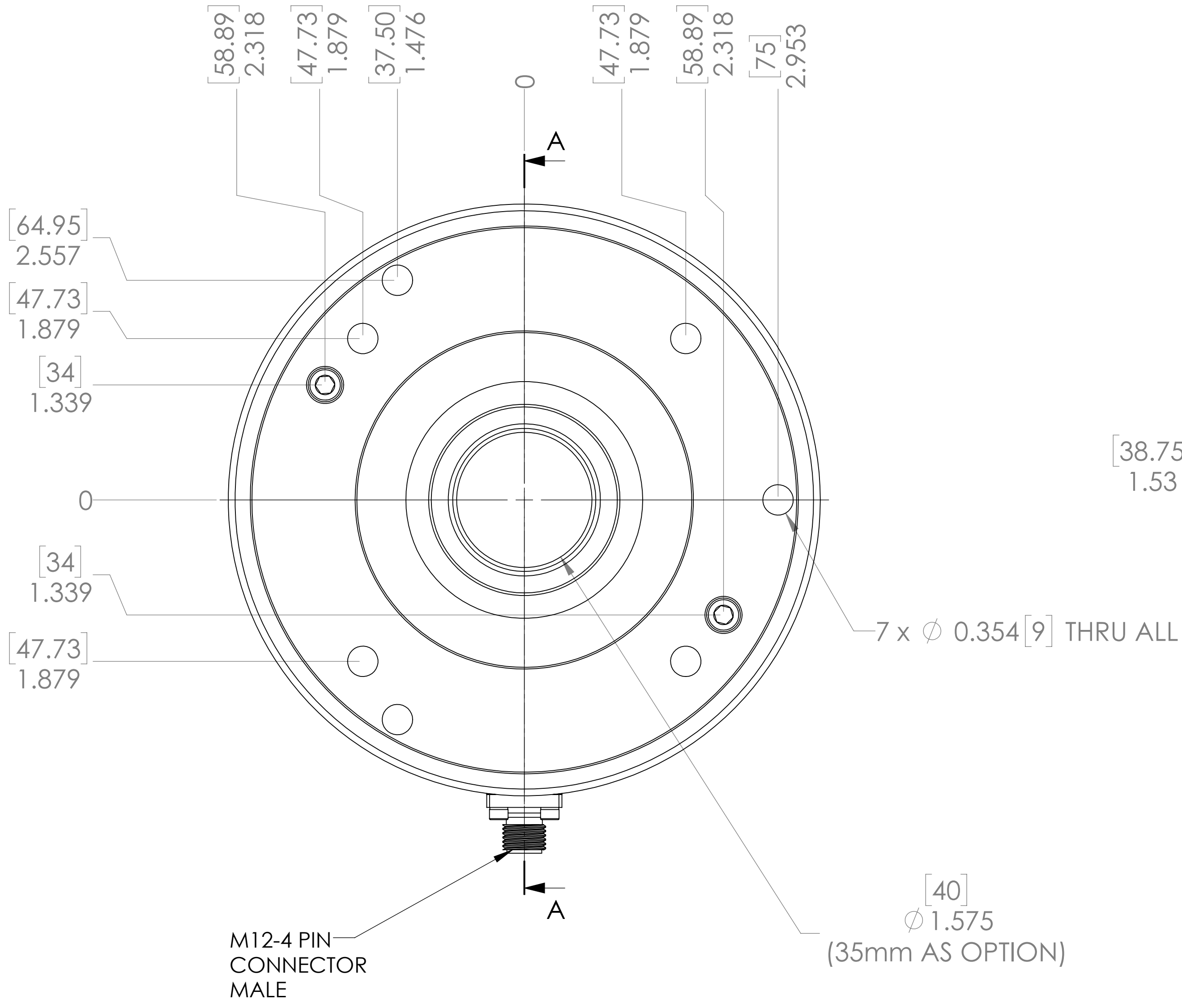


REVISIONS				
ZONE	REV.	DESCRIPTION	DATE	APPROVED
	-			



ALL DIMENSIONS INCH UNLESS OTHERWISE SPECIFIED  
 METRIC TOLERANCES PER ISO 2768-F  
 DEBURR AND BREAK ALL SHARP EDGES  
**PROPRIETARY AND CONFIDENTIAL**

UOS: .00 =  $\pm$  .01  
 UOS: .000 =  $\pm$  .005  
 UOS: .0000 =  $\pm$  .0005  
 UOS: DRAFT ANGLE = 3°  
 UOS: ANGULAR: =  $\pm$  1/2°  
 UOS: FRACTIONAL: =  $\pm$  1/64  
 UOS: FINISH = AS SHOWN

© 2019 **montalvo**  
 Better Web Control®  
 The Montalvo Corp. 50 Hutcherson Drive Gorham, ME 04038  
 info@montalvo.com 1-800-266-8710

TITLE: LP-175 Assembly  
 DRAWN BY: CAO  
 CHK BY: -  
 DATE: 4/16/2019

SIZE: C  
 Prt No. -  
 SCALE: NONE

TAR: -  
 REV: -

SHEET 1 OF 1