

Safety Covers & Mounting Plates

For Dual and Single Disc Brakes



Montalvo Safety Covers and Mounting Plates

Montalvo safety covers are designed to fit a wide range of Montalvo brakes including the *dual disc* **CD**, **Standard** and **HP** Series and the *single disc* **CS**, **V** and **HPS** Series. Montalvo also offers pre-drilled and tapped mounting plates for the *dual disc* brakes. *Single disc* brakes don't require mounting plates as they mount directly to a shaft. The covers and mounting plates are manufactured from quality materials, are easily installed and offer exceptional workplace safety. Order them with a new system or separately to enhance an existing installation.

Features

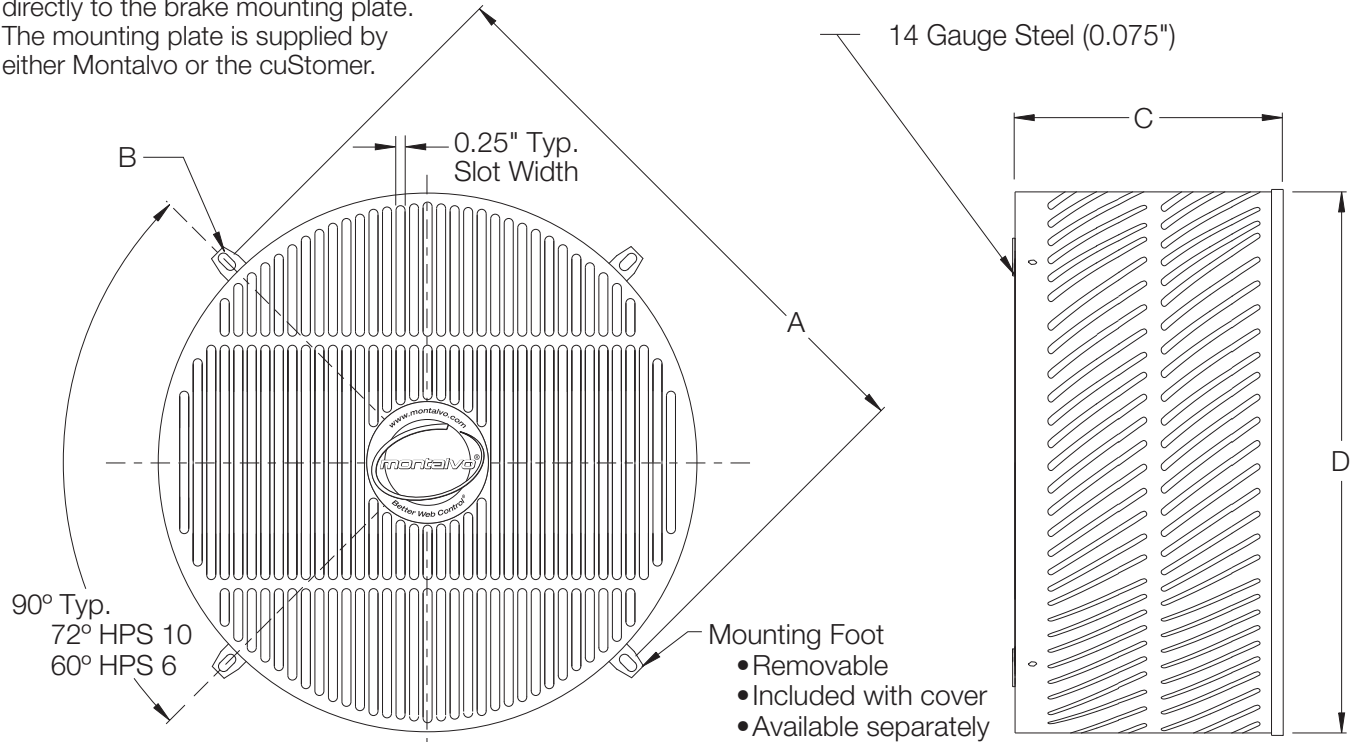
- For new or existing systems
- Maximum workplace safety
- Fit wide range of Montalvo brakes
- Modular design for quick, easy installation

Safety Covers & Mounting Plates

For Dual and Single Disc Brakes

Dual Disc Brake Safety Covers

Dual disc brake covers fasten directly to the brake mounting plate. The mounting plate is supplied by either Montalvo or the customer.



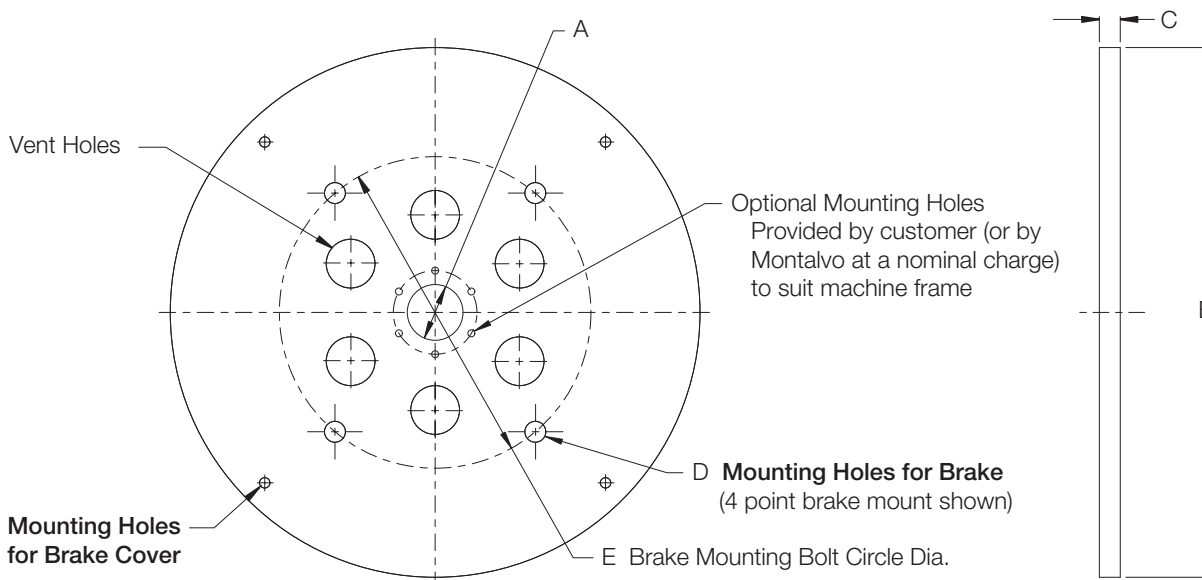
Model	PART #	A	B	C	D
CD 100	10001348	8.87 (226)	1/4-20 (M6)	3.67 (93)	7.78 (198)
CD 130	10001349	9.87 (251)	1/4-20 (M6)	4.67 (119)	8.78 (223)
CD 190	10001330	17.54 (446)	3/8-16 (M9)	7.70 (196)	16.03 (407)
Standard 600	10001330	17.54 (446)	3/8-16 (M9)	7.70 (196)	16.03 (407)
Standard 800	10001331	21.29 (541)	3/8-16 (M9)	7.70 (196)	19.78 (502)
Standard 1000	10001332	24.29 (617)	3/8-16 (M9)	7.70 (196)	22.78 (579)
Standard 1400	10001333	26.50 (673)	3/8-16 (M9)	8.70 (221)	24.99 (635)
Standard 1700	10001334	28.18 (716)	3/8-16 (M9)	9.70 (246)	26.67 (677)
HP 6	10001335	17.29 (440)	3/8-16 (M9)	9.70 (246)	15.78 (401)
HP 8	10001336	21.29 (541)	3/8-16 (M9)	10.70 (272)	19.78 (502)
HP 10	10001337	24.29 (617)	3/8-16 (M9)	11.70 (297)	22.78 (579)
HP 14	10001338	26.50 (673)	3/8-16 (M9)	13.70 (348)	24.99 (635)
HP 17	10001339	28.18 (716)	3/8-16 (M9)	15.70 (399)	26.67 (677)

Safety Covers & Mounting Plates

For Dual and Single Disc Brakes

Dual Disc Brake Mounting Plates

Mounting plates supplied by Montalvo are pre-drilled and tapped to accept Montalvo brakes and safety covers.



Model	A (I.D.)	B (O.D.)	C (aluminum)	C (steel)	D (# of holes)	E (dia.)
CD 100	1.50 (38)	9.94 (252)	0.38 (10)	0.25 (6)	8 (4 sets of 2)	6.31 (160)
CD 130	2.00 (51)	10.94 (278)	0.50 (13)	0.25 (6)	12 (6 sets of 2)	7.56 (192)
CD 190	2.00 (51)	19.00 (483)	0.75 (19)	0.50 (13)	16 (8 sets of 2)	9.93 (252)
STANDARD 600	2.00 (51)	19.00 (483)	0.75 (19)	0.50 (13)	4	11.18 (284)
HP 6	2.00 (51)	19.00 (483)	0.75 (19)	0.50 (13)	4	11.67 (296)
Standard/HP 801-804	3.50 (89)	23.00 (584)	0.75 (19)	0.50 (13)	4	13.17 (335)
Standard/HP 805-806	3.50 (89)	23.00 (584)	0.75 (19)	0.50 (13)	3	15.12 (384)
Standard/HP 1001-1004	3.50 (89)	23.00 (584)	0.75 (19)	0.50 (13)	4	14.61 (371)
HP 1001-1002	3.50 (89)	23.00 (584)	0.75 (19)	0.50 (13)	4	14.61 (371)
Standard/HP 1005-1008	4.50 (114)	25.75 (654)	1.00 (25)	0.75 (19)	4	19.00 (483)
HP 1003-1004	4.50 (114)	25.75 (654)	1.00 (25)	0.75 (19)	4	19.00 (483)
Standard/HP 1400	5.50 (140)	28.00 (711)	1.25 (32)	1.00 (25)	5	22.50 (572)
Standard/HP 1700	5.50 (140)	30.00 (762)	1.25 (32)	1.00 (25)	5	23.13 (588)
HP 26	6.50 (165)	42.00 (1067)	1.50 (38)	1.25 (32)	8	36.00 (914)

Safety Covers & Mounting Plates

For Dual and Single Disc Brakes

Single Disc Brake Safety Covers

Single disc brake covers mount directly to the brake. The brake is pre-drilled and tapped to accept cover mounting foot hardware. Single disc brakes *do not use a mounting plate*. They mount directly to a shaft.

Low Profile Cover

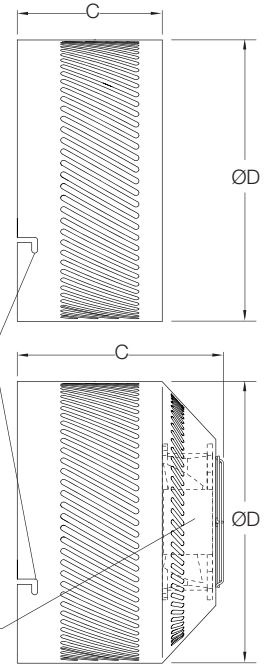
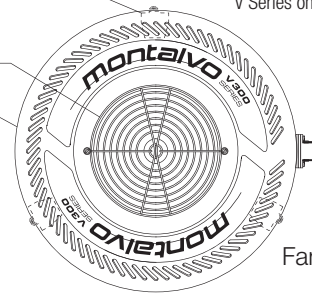
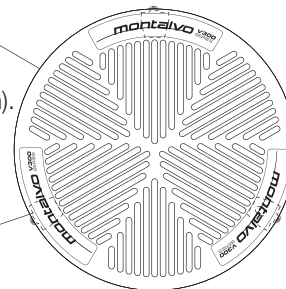
- For **CS, HPS** and **V Series**
- Vent pattern and graphics vary by model (V300 shown).

Mounting Feet

- Removable
- Included with cover
- Available separately

Fan Cover

- For **V Series only**
- Fan included with cover
- Options: 115 or 220 VAC
- Note: Fan and fan guard available separately. (V300 shown).



Model	Type	Part #	C	D	# Feet
CS 100	Low Profile	10001603	3.07 (78)	7.50 (178)	4
CS 130	Low Profile	10001587	3.0 (77)	8.75 (223)	3
HPS 6	Low Profile	10000434	4.35 (111)	11.36 (289)	4
HPS 8	Low Profile	10000435	4.75 (121)	13.05 (332)	4
HPS 10	Low Profile	10000436	5.00 (127)	14.98 (381)	4
V 250	Low Profile	27000278	6.3 (160)	10.7 (273)	3
V 250 (110 VAC)	Fan	27000276	8.8 (224)	10.7 (273)	3
V 250 (220 VAC)	Fan	27000277	8.8 (224)	10.7 (273)	3
V 250 w/o Fan	Fan	27000031	8.8 (224)	10.7 (273)	3
V 300	Low Profile	27000281	6.3 (160)	12.2 (309)	3
V 300 (110 VAC)	Fan	27000279	8.8 (224)	12.2 (309)	3
V 300 (220 VAC)	Fan	27000280	8.8 (224)	12.2 (309)	3
V 300 (w/o Fan)	Fan	27000002	8.8 (224)	12.2 (309)	3
V 400	Low Profile	27000284	6.3 (160)	14.2 (359)	4
V 400 (110 VAC)	Fan	27000282	8.8 (224)	14.2 (359)	4
V 400 (220 VAC)	Fan	27000283	8.8 (224)	14.2 (359)	4
V 400 (w/o Fan)	Fan	27000023	8.8 (224)	14.2 (359)	4
V 500	Low Profile	27000341	7.0 (178)	18.2 (461)	4
V 500 (110 VAC)	Fan	27000325	9.5 (242)	18.2 (461)	4
V 500 (220 VAC)	Fan	27000327	9.5 (242)	18.2 (461)	4
V 500 (w/o Fan)	Fan	27000323	9.5 (242)	18.2 (461)	4

207-856-2501 / 800-226-8710
 +86-21-52188010
 +45 75 57 27 11
 +49 (0)511 760 691 41



The Montalvo Corporation

EST. 1947



Better Web Control®

50 Hutcherson Drive, Gorham, Maine 04038 USA
 Fax: 1-800-644-5097 / 207-856-2509

1-800-226-8710 / info@montalvo.com / www.montalvo.com
 Technical details subject to change without notice. SCMP-ENG-01 © Montalvo