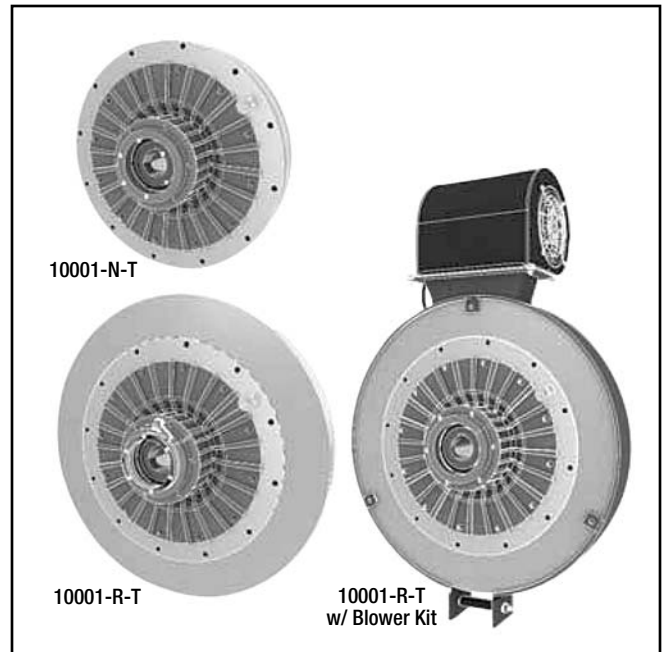


Montalvo MP-Series

Magnetic Particle Brakes

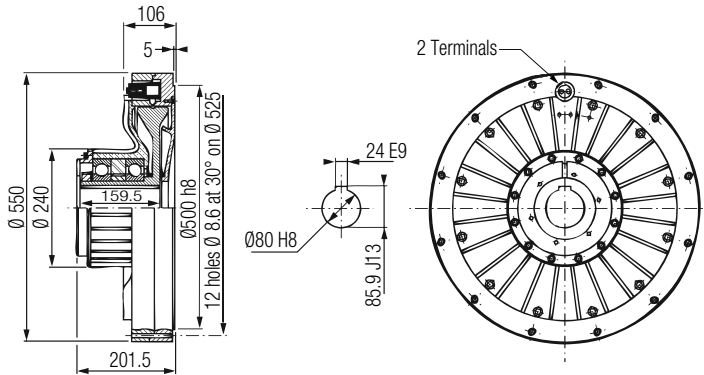
Models: **10001**
MP-B-10001-N-T / MP-B-10001-R-T

- Versatile Thru-Bore design
- Torque range to **8851 in-lb (1000 Nm)**
- Two cooling options
- Easily integrates into other systems
- Easy setup and operation

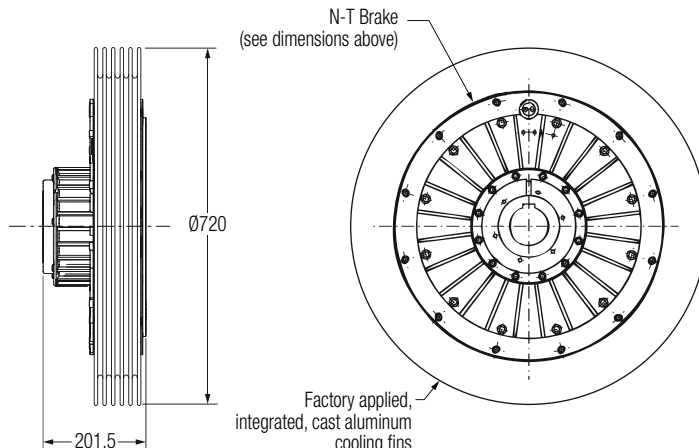


Ideal for clean room environments, Montalvo's MP-Series Brakes are a key component in high quality unwind applications. MP Brakes apply force (torque) to unwind webs in either closed or open-loop tension control systems. The **MP-B-10001-N-T** features a compact size. The **MP-B-10001-R-T** offers greater heat dissipation through passive radial cooling with an optional blower kit for maximum cooling. MP-Series Brakes utilize the **VC2 Voltage Converter**, a micro-controller regulated current power supply.

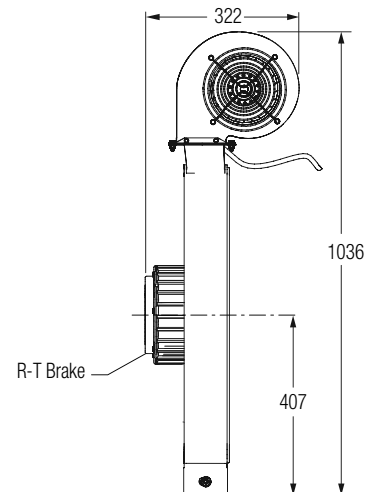
MP-B-10001-N-T



MP-B-10001-R-T

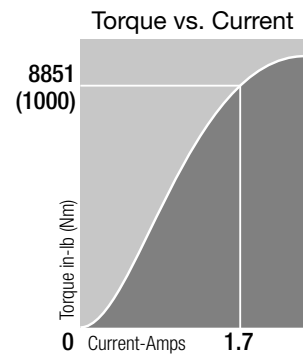
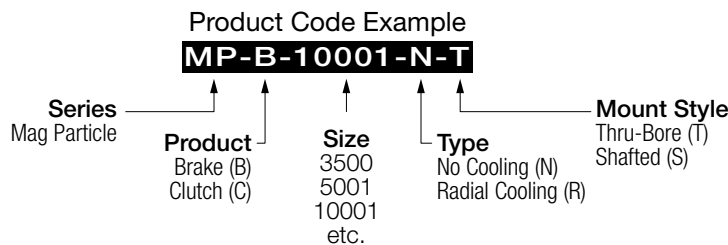


MP-B-10001-R-T w/ Blower Kit

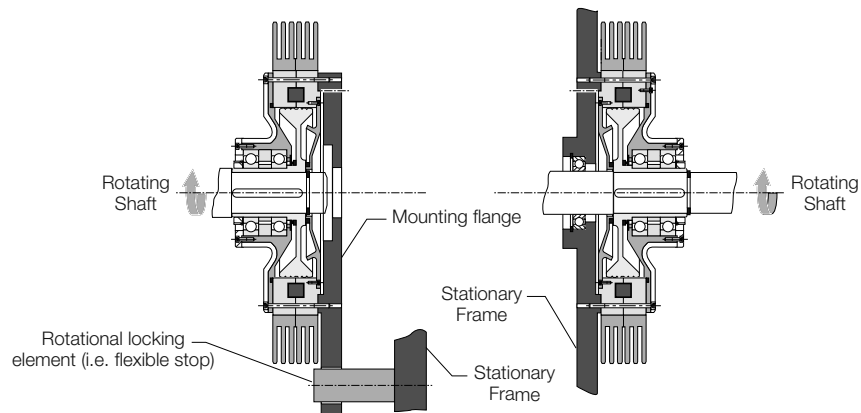


Specifications		MP-B-10001-N-T	MP-B-10001-R-T
Torque - Max.	in-lb (Nm)	8851 (1000)	
Torque - Min.	in-lb (Nm)	89.6 (10)	
Torque - Min. (RR version) ⁽⁴⁾	in-lb (Nm)	177.0 (20)	
Current - Rated	A	1.7	
Coil Resistance ⁽¹⁾	Ω	20	
Rotor Inertia	in-lb ² (kg/m ²)	2764.834 (809x10 ⁻³)	
Rotation Speed - Min. ⁽²⁾	rpm (mn ⁻¹)	60	
Rotation Speed - Max. ⁽²⁾	rpm (mn ⁻¹)	1000	
Temperature (housing) - Rated ⁽³⁾	°F (°C)	212 (100)	
Temperature (housing) - Max. ⁽³⁾	°F (°C)	248 (120)	
Heat Dissipation	HP (watts)	2.28 (1700)	4.02 (3000)
Heat Dissipation w/Cooling Kit	HP (watts)	—	Blower 9.39 (7000)
Weight	lb (kg)	297 (135)	352 (160)
Weight w/ Cooling Kit	lb (kg)	—	Blower 374 (170)

- (1) At 20°C (varies with the coil temperature).
- (2) Except RR versions. Any further request, consult Montalvo.
- (3) Max. for rated life.
- (4) Remnant Rotor version.



Recommended Mounting



Installation Hotlines

	207-856-2501 / 800-226-8710
	+86-21-52188010
	+45 75 57 27 11
	+49 (0)511 760 691 41

