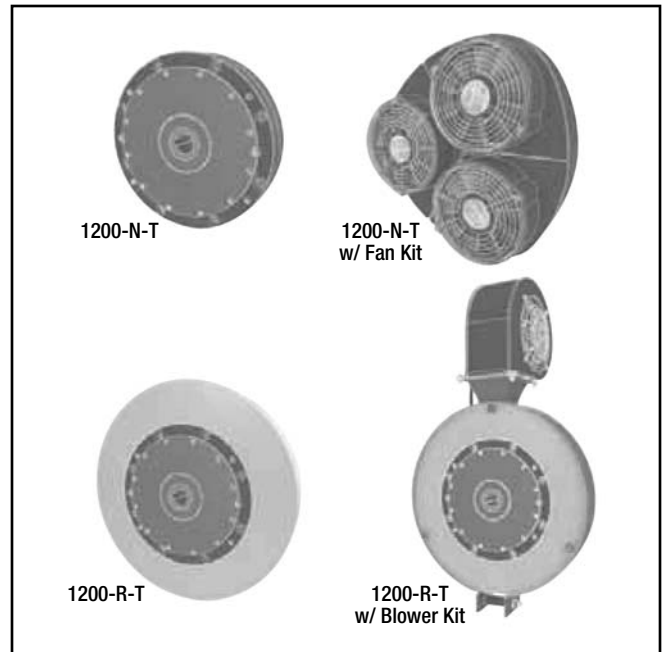


# Montalvo MP-Series Magnetic Particle Brakes

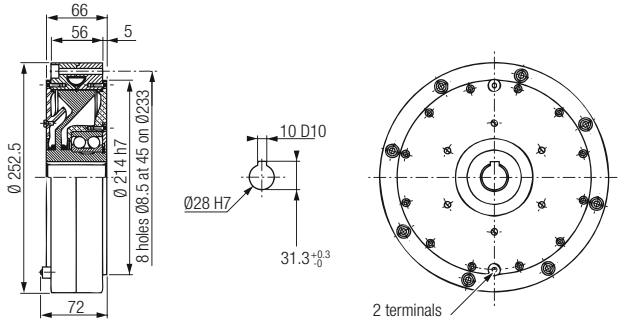
Models: **1200**  
MP-B-1200-N-T / MP-B-1200-R-T

- Versatile Thru-Bore design
- Torque range to **1062 in-lb (120 Nm)**
- Three cooling options
- Easily integrates into other systems
- Easy setup and operation

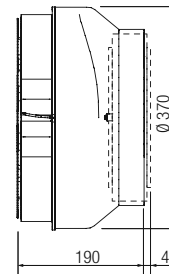


Ideal for clean room environments, Montalvo's MP-Series Brakes are a key component in high quality unwind applications. MP Brakes apply force (torque) to unwind webs in either closed or open-loop tension control systems. The **MP-B-1200-N-T** features a compact size with an **optional fan kit** for increased cooling. The **MP-B-1200-R-T** offers greater heat dissipation through passive radial cooling with an **optional blower kit** for maximum cooling. MP-Series Brakes utilize the **VC2 Voltage Converter**, a micro-controller regulated current power supply.

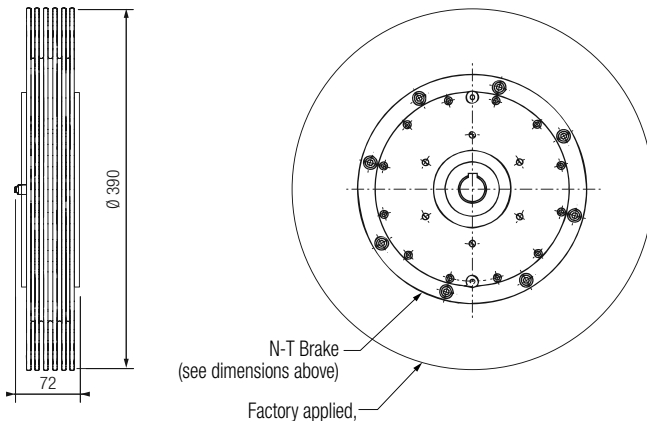
## MP-B-1200-N-T



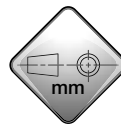
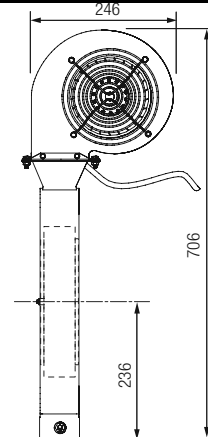
## MP-B-1200-N-T w/ Fan Kit



## MP-B-1200-R-T



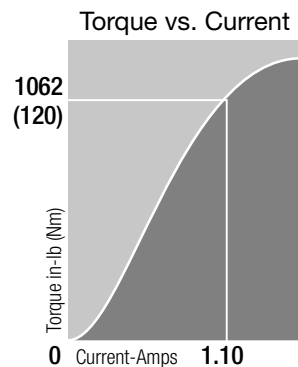
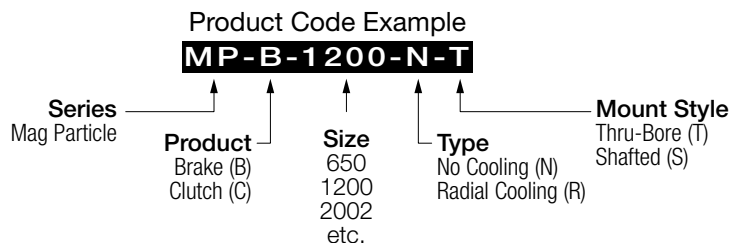
## MP-B-1200-R-T w/ Blower Kit



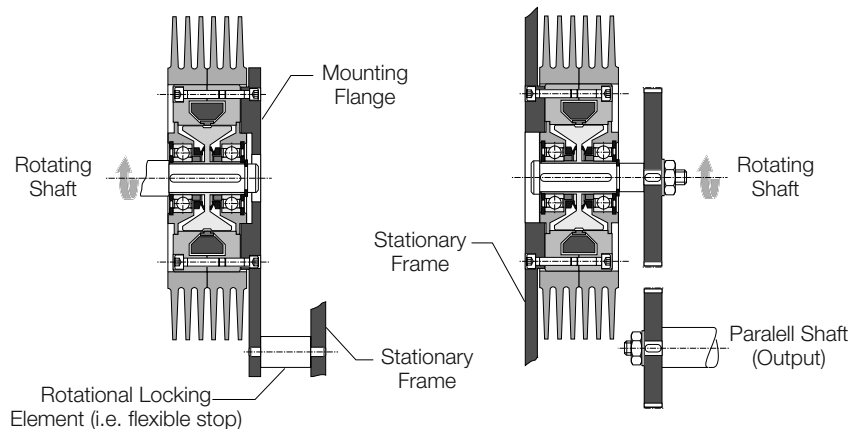
DATA SHEET

Specifications		MP-B-1200-N-T	MP-B-1200-R-T
Torque - Max.	in-lb (Nm)	1062 (120)	
Torque - Min.	in-lb (Nm)	10.7 (1.20)	
Torque - Min. (RR version) <sup>(4)</sup>	in-lb (Nm)	21.3 (2.4)	
Current - Rated	A	1.10	
Coil Resistance <sup>(1)</sup>	Ω	12.5	
Rotor Inertia	in-lb <sup>2</sup> (kg/m <sup>2</sup> )	90.555 (26.5x10 <sup>-3</sup> )	
Rotation Speed - Min. <sup>(2)</sup>	rpm (mn <sup>-1</sup> )	40	
Rotation Speed - Max. <sup>(2)</sup>	rpm (mn <sup>-1</sup> )	2000	
Temperature (housing) - Rated <sup>(3)</sup>	°F (°C)	212 (100)	
Temperature (housing) - Max. <sup>(3)</sup>	°F (°C)	248 (120)	
Heat Dissipation	HP (watts)	0.40 (300)	0.74 (550)
Heat Dissipation w/Cooling Kit	HP (watts)	<b>Fan 1.88 (1400)</b>	<b>Blower 2.68 (2000)</b>
Weight	lb (kg)	37.8 (17.2)	55.0 (25.0)
Weight w/ Cooling Kit	lb (kg)	<b>Fan 61.6 (28.0)</b>	<b>Blower 67.1 (30.5)</b>

- (1) At 20°C (varies with the coil temperature).
- (2) Except RR versions. Any further request, consult Montalvo.
- (3) Max. for rated life.
- (4) Remnant Rotor version.



## Recommended Mounting



## Installation Hotlines

	207-856-2501 / 800-226-8710
	+86-21-52188010
	+45 75 57 27 11
	+49 (0)511 760 691 41

