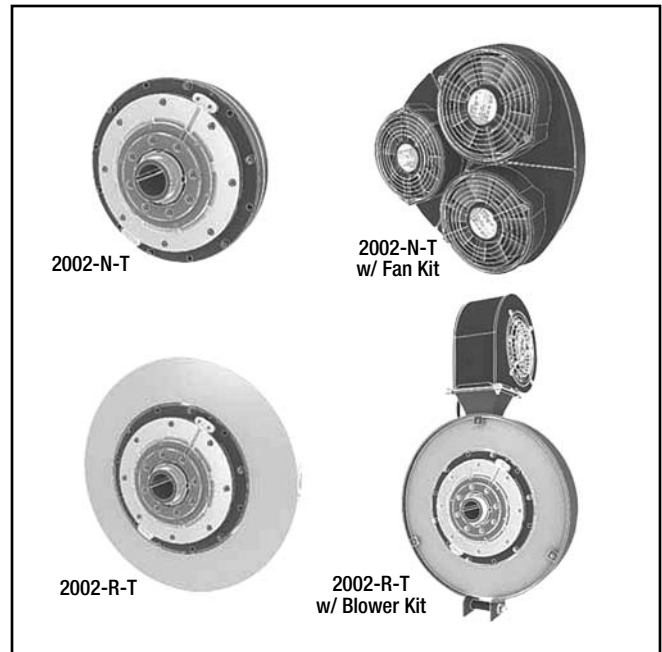


Montalvo MP-Series Magnetic Particle Brakes

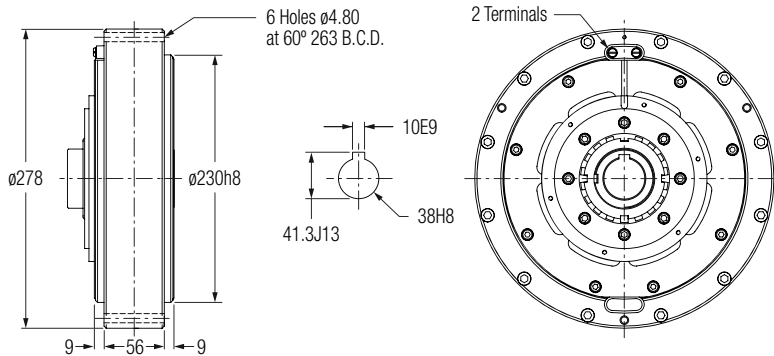
Models:
MP-B-2002-N-T / MP-B-2002-R-T **2002**

- Versatile Thru-Bore design
- Torque range to **1770 in-lb (200 Nm)**
- Three cooling options
- Easily integrates into other systems
- Easy setup and operation

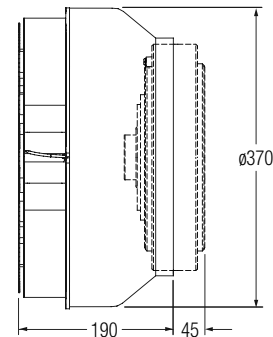


Ideal for clean room environments, Montalvo's MP-Series Brakes are a key component in high quality unwind applications. MP Brakes apply force (torque) to unwind webs in either closed or open-loop tension control systems. The **MP-B-2002-N-T** features a compact size with an **optional fan kit** for increased cooling. The **MP-B-2002-R-T** offers greater heat dissipation through passive radial cooling with an **optional blower kit** for maximum cooling. MP-Series Brakes utilize the **VC2 Voltage Converter**, a micro-controller regulated current power supply.

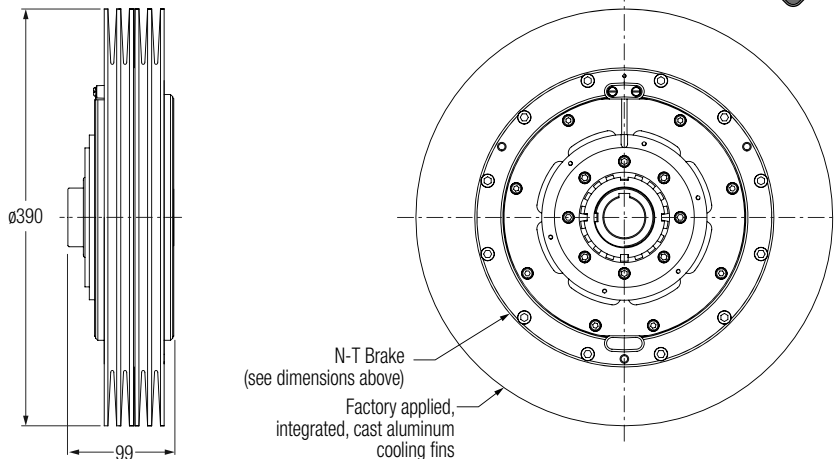
MP-B-2002-N-T



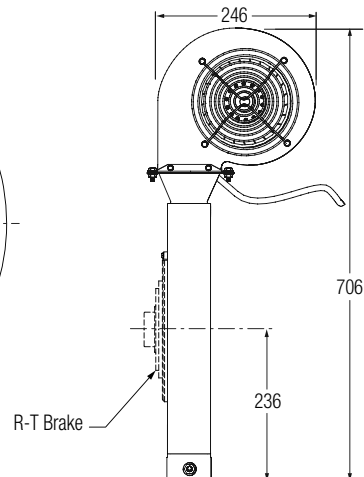
MP-B-2002-N-T w/ Fan Kit



MP-B-2002-R-T

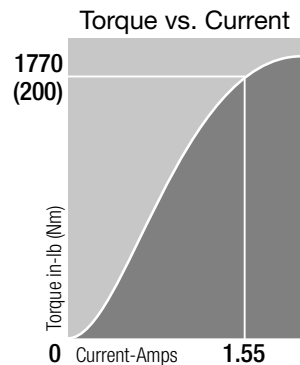
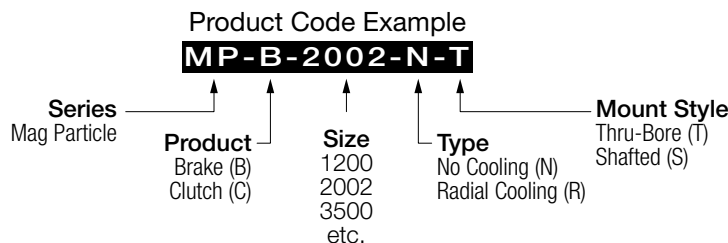


MP-B-2002-R-T w/ Blower Kit

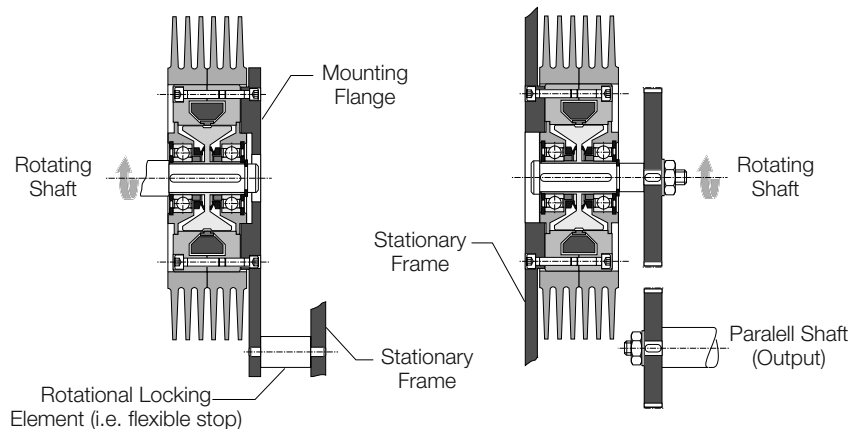


Specifications		MP-B-2002-N-T	MP-B-2002-R-T
Torque - Max.	in-lb (Nm)	1770 (200)	
Torque - Min.	in-lb (Nm)	17.7 (2.0)	
Torque - Min. (RR version) ⁽⁴⁾	in-lb (Nm)	35.4 (4.0)	
Current - Rated	A	1.55	
Coil Resistance ⁽¹⁾	Ω	11	
Rotor Inertia	in-lb ² (kg/m ²)	120.284 (35.2x10 ⁻³)	
Rotation Speed - Min. ⁽²⁾	rpm (mn ⁻¹)	40	
Rotation Speed - Max. ⁽²⁾	rpm (mn ⁻¹)	2000	
Temperature (housing) - Rated ⁽³⁾	°F (°C)	212 (100)	
Temperature (housing) - Max. ⁽³⁾	°F (°C)	248 (120)	
Heat Dissipation	HP (watts)	0.54 (400)	0.94 (700)
Heat Dissipation w/Cooling Kit	HP (watts)	Fan 2.41 (1800)	Blower 2.68 (2000)
Weight	lb (kg)	52.8 (24.0)	66.6 (30.0)
Weight w/ Cooling Kit	lb (kg)	Fan 75.9 (34.5)	Blower 78.1 (35.5)

- (1) At 20°C (varies with the coil temperature).
- (2) Except RR versions. Any further request, consult Montalvo.
- (3) Max. for rated life.
- (4) Remnant Rotor version.



Recommended Mounting



Installation Hotlines

- 🇺🇸 207-856-2501 / 800-226-8710
- 🇪🇺 +86-21-52188010
- 🇯🇵 +45 75 57 27 11
- 🇮🇹 +49 (0)511 760 691 41

