

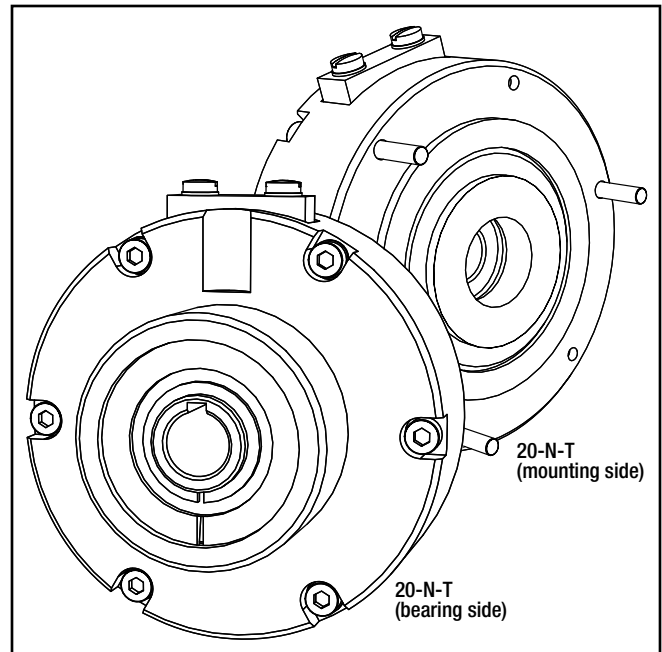
Montalvo

MP-Series

Magnetic Particle Brakes

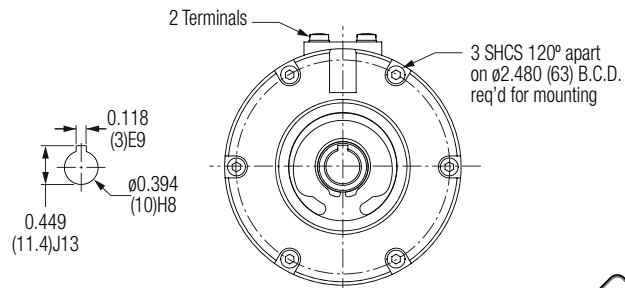
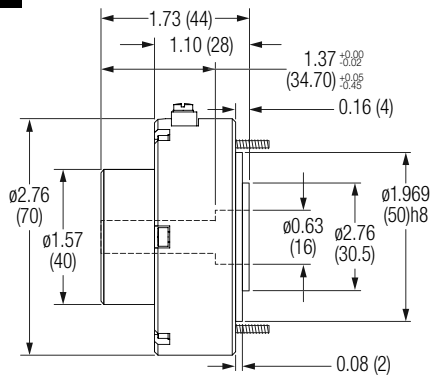
Models: **20**
MP-B-20-N-T / MP-B-20-R-T

- Versatile Thru-Bore design
- Torque range to **18 in-lb (2 Nm)**
- Radial cooling option
- Easily integrates into other systems
- Easy setup and operation

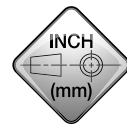
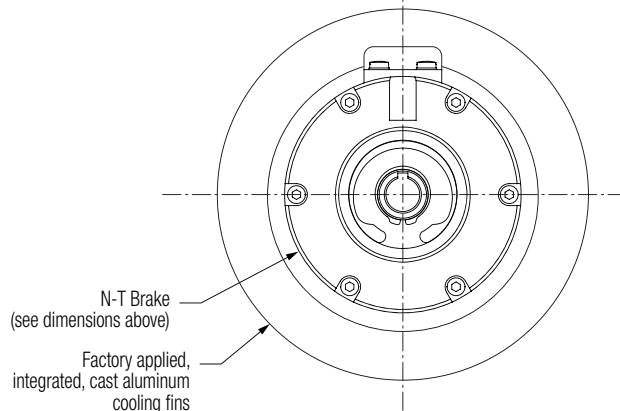
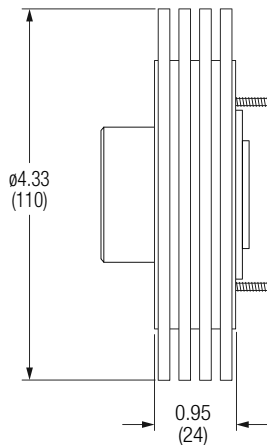


Ideal for clean room environments, Montalvo's MP-Series Brakes are a key component in high quality unwind applications. MP Brakes apply force (torque) to unwind webs in either closed or open-loop tension control systems. The **MP-B-20-N-T** features a compact size. The **MP-B-20-R-T** offers greater heat dissipation through passive radial cooling. MP-Series Brakes utilize the **VC2 Voltage Converter**, a micro-controller regulated current power supply.

MP-B-20-N-T



MP-B-20-R-T



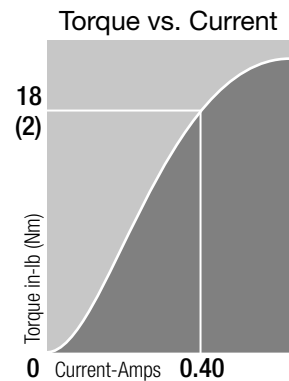
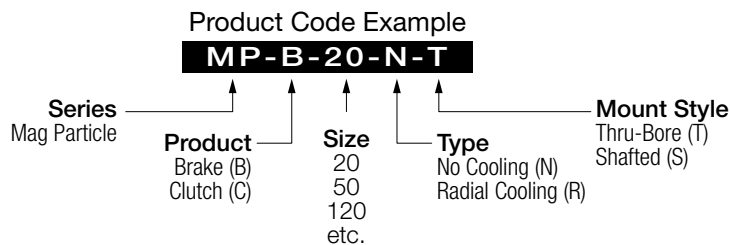
Specifications		MP-B-20-N-T	MP-B-20-R-T
Torque - Max.	in-lb (Nm)	18 (2)	
Torque - Min.	in-lb (Nm)	0.4 (0.04)	
Torque - Min. (RR version) ⁽⁴⁾	in-lb (Nm)	0.8 (0.08)	
Current - Rated	A	0.40	
Coil Resistance ⁽¹⁾	Ω	24	
Rotor Inertia	in-lb ² (kg-m ²)	0.0547 (16x10 ⁻⁶)	
Rotation Speed - Min. ⁽²⁾	rpm (mn ⁻¹)	40	
Rotation Speed - Max. ⁽²⁾	rpm (mn ⁻¹)	3000	
Temperature (housing) - Rated ⁽³⁾	°F (°C)	212 (100)	
Temperature (housing) - Max. ⁽³⁾	°F (°C)	248 (120)	
Heat Dissipation	HP (watts)	0.05 (40)	0.08 (60)
Weight	lb (kg)	1.76 (0.80)	1.98 (0.90)

(1) At 20°C (varies with the coil temperature).

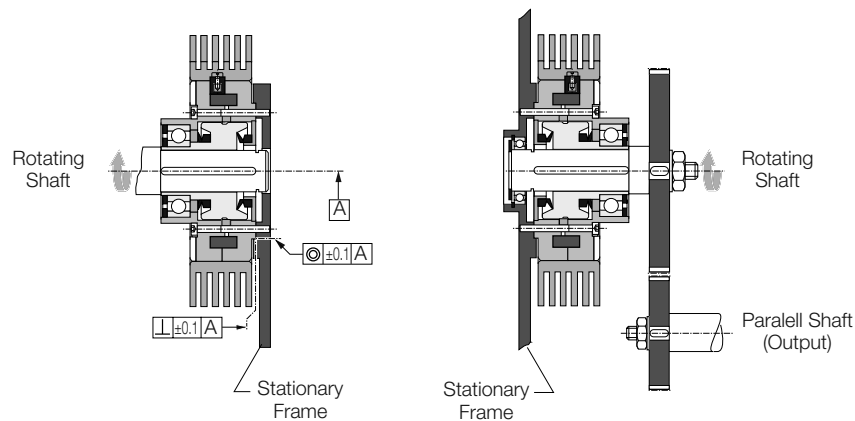
(2) Except RR versions. Any further request, consult Montalvo.

(3) Max for rated life.

(4) Remnant Rotor version.



Recommended Mounting



Installation Hotlines

	207-856-2501 / 800-226-8710
	+86-21-52188010
	+45 75 57 27 11
	+49 (0)511 760 691 41

