

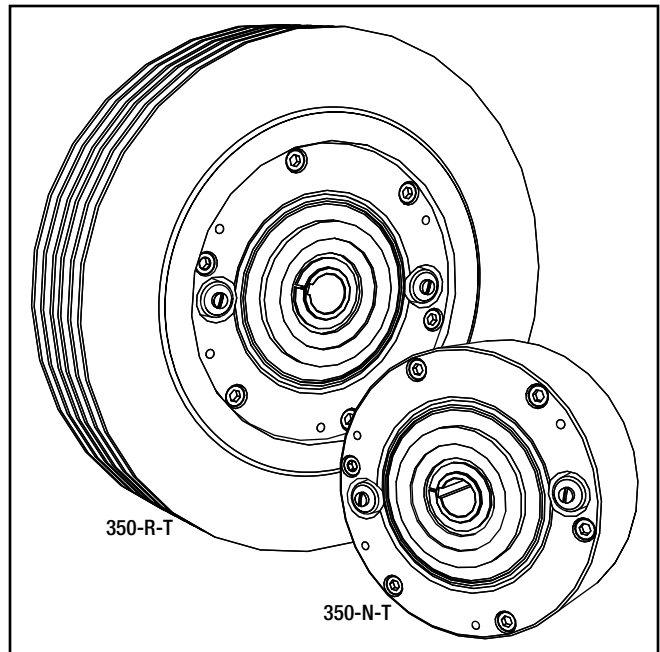
Montalvo

MP-Series

Magnetic Particle Brakes

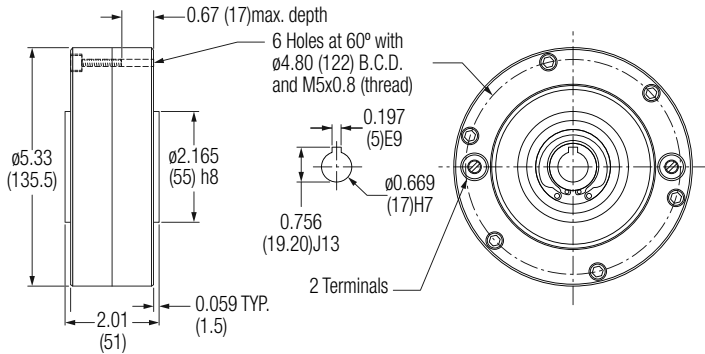
Models: **350**
MP-B-350-N-T / MP-B-350-R-T

- Versatile Thru-Bore design
- Torque range to **310 in-lb (35 Nm)**
- Three cooling options
- Easily integrates into other systems
- Easy setup and operation

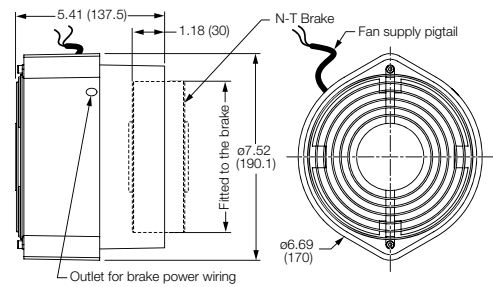


Ideal for clean room environments, Montalvo's MP-Series Brakes are a key component in high quality unwind applications. MP Brakes apply force (torque) to unwind webs in either closed or open-loop tension control systems. The **MP-B-350-N-T** features a compact size with an **optional fan kit** for increased cooling. The **MP-B-350-R-T** offers greater heat dissipation through passive radial cooling with an **optional blower kit** for maximum cooling. MP-Series Brakes utilize the **VC2 Voltage Converter**, a micro-controller regulated current power supply.

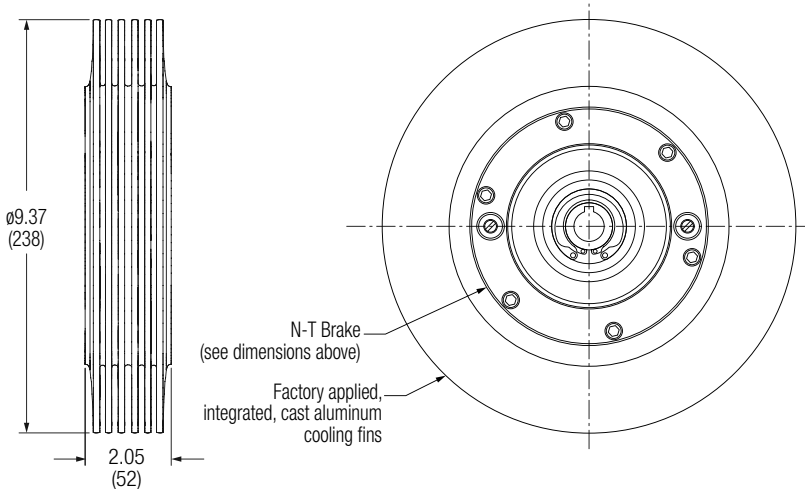
MP-B-350-N-T



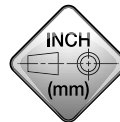
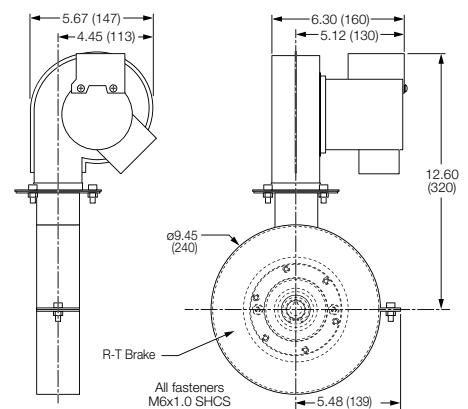
MP-B-350-N-T w/ Fan Kit



MP-B-350-R-T



MP-B-350-R-T w/ Blower Kit



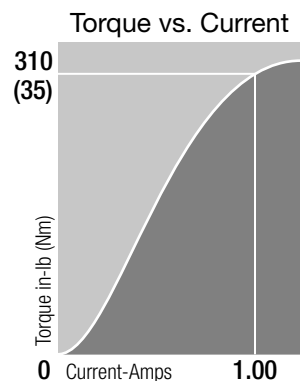
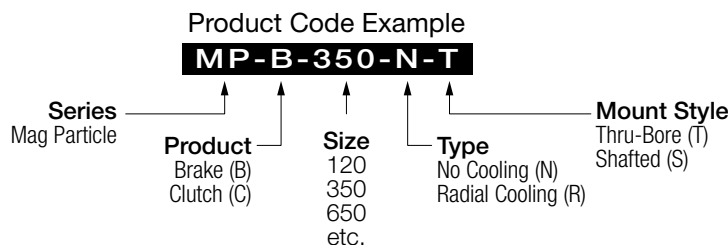
Specifications		MP-B-350-N-T	MP-B-350-R-T
Torque - Max.	in-lb (Nm)	310 (35)	
Torque - Min.	in-lb (Nm)	3.0 (0.33)	
Torque - Min. (RR version) ⁽⁴⁾	in-lb (Nm)	5.9 (0.66)	
Current - Rated	A	1.00	
Coil Resistance ⁽¹⁾	Ω	19	
Rotor Inertia	in-lb ² (kg-m ²)	2.6996 (0.79x10 ⁻³)	
Rotation Speed - Min. ⁽²⁾	rpm (mn ⁻¹)	40	
Rotation Speed - Max. ⁽²⁾	rpm (mn ⁻¹)	3000	
Temperature (housing) - Rated ⁽³⁾	°F (°C)	212 (100)	
Temperature (housing) - Max. ⁽³⁾	°F (°C)	248 (120)	
Heat Dissipation	HP (Watts)	0.13 (100)	0.28 (210)
Heat Dissipation w/ Cooling Kit	HP (Watts)	Fan 0.67 (500)	Blower 1.88 (1400)
Weight	lb (kg)	9.90 (4.50)	14.7 (6.70)
Weight w/ Cooling Kit	lb (kg)	Fan 12.8 (5.80)	Blower 20.6 (9.38)

(1) At 20°C (varies with the coil temperature).

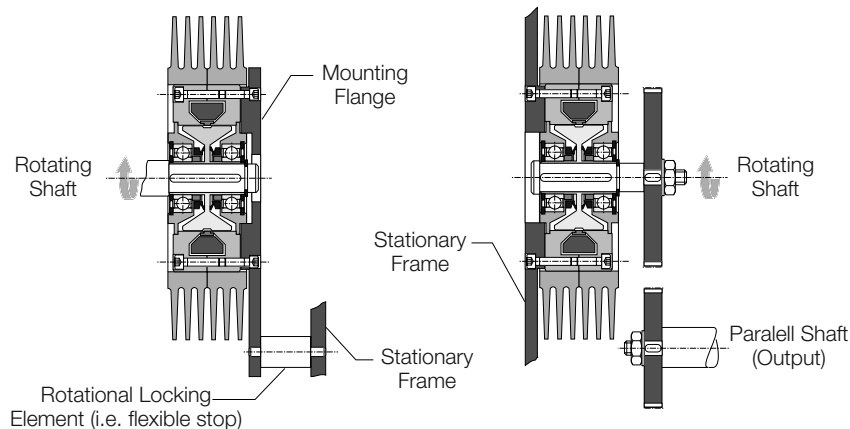
(2) Except RR versions. Any further request, consult Montalvo.

(3) Max for rated life.

(4) Remnant Rotor version.



Recommended Mounting



Installation Hotlines

	207-856-2501 / 800-226-8710
	+86-21-52188010
	+45 75 57 27 11
	+49 (0)511 760 691 41

