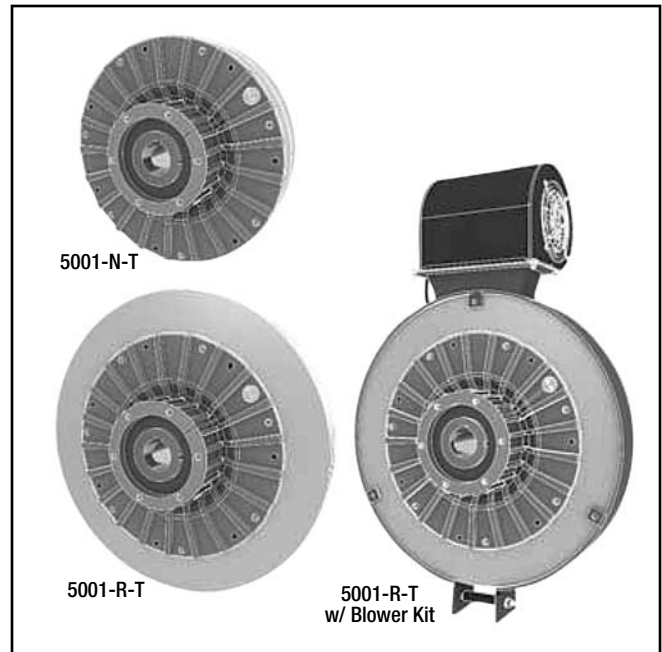


Montalvo MP-Series Magnetic Particle Brakes

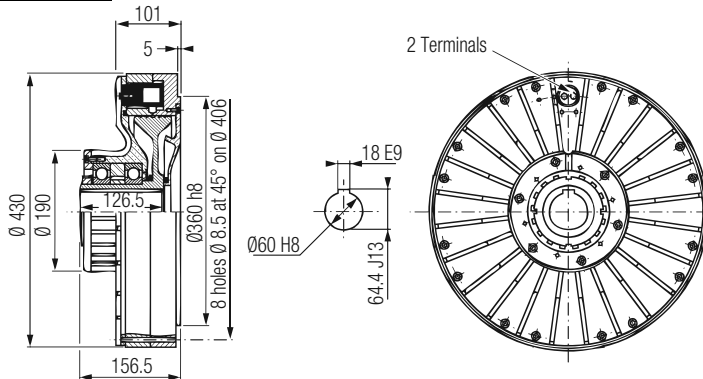
Models: **5001**
MP-B-5001-N-T / MP-B-5001-R-T

- Versatile Thru-Bore design
- Torque range to **4426 in-lb (500 Nm)**
- Two cooling options
- Easily integrates into other systems
- Easy setup and operation

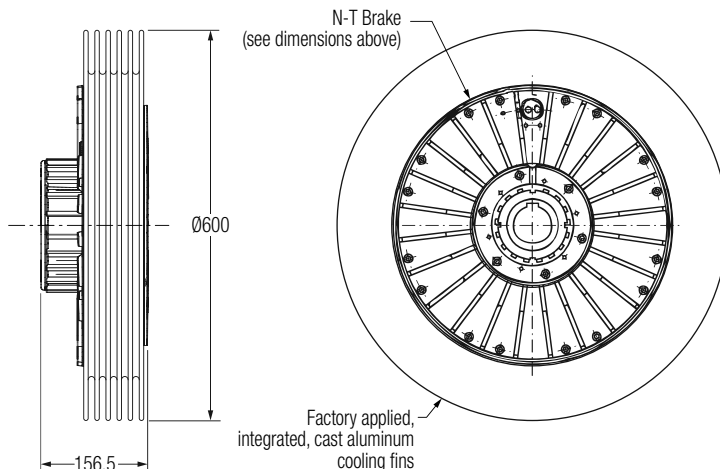


Ideal for clean room environments, Montalvo's MP-Series Brakes are a key component in high quality unwind applications. MP Brakes apply force (torque) to unwind webs in either closed or open-loop tension control systems. The **MP-B-5001-N-T** features a compact size. The **MP-B-5001-R-T** offers greater heat dissipation through passive radial cooling with an **optional blower kit** for maximum cooling. MP-Series Brakes utilize the **VC2 Voltage Converter**, a micro-controller regulated current power supply.

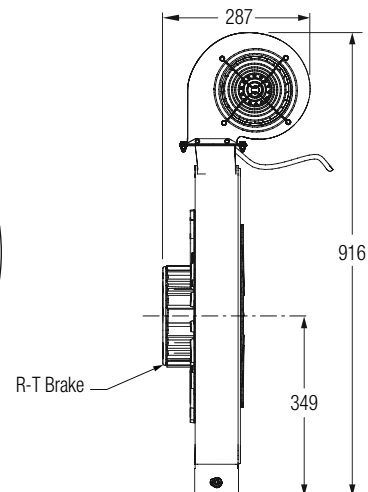
MP-B-5001-N-T



MP-B-5001-R-T



MP-B-5001-R-T w/ Blower Kit



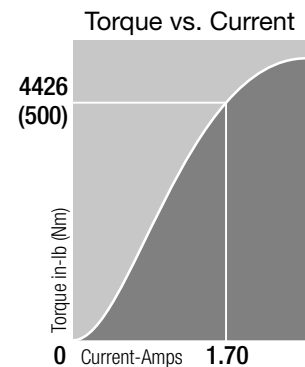
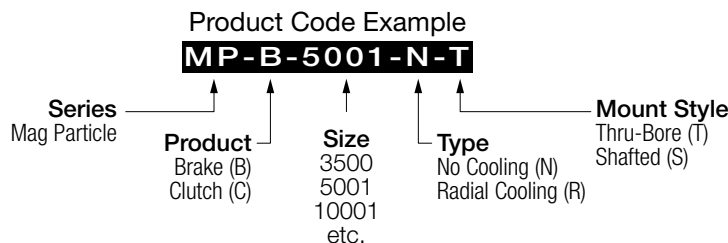
Specifications		MP-B-5001-N-T	MP-B-5001-R-T
Torque - Max.	in-lb (Nm)	4426 (500)	
Torque - Min.	in-lb (Nm)	44.3 (5.0)	
Torque - Min. (RR version) ⁽⁴⁾	in-lb (Nm)	88.6 (10.0)	
Current - Rated	A	1.70	
Coil Resistance ⁽¹⁾	Ω	11	
Rotor Inertia	in-lb ² (kg/m ²)	1131.426 (331x10 ⁻³)	
Rotation Speed - Min. ⁽²⁾	rpm (mn ⁻¹)	60	
Rotation Speed - Max. ⁽²⁾	rpm (mn ⁻¹)	1500	
Temperature (housing) - Rated ⁽³⁾	°F (°C)	212 (100)	
Temperature (housing) - Max. ⁽³⁾	°F (°C)	248 (120)	
Heat Dissipation	HP (watts)	1.34 (1000)	2.41 (1800)
Heat Dissipation w/Cooling Kit	HP (watts)	—	Blower 6.03 (4500)
Weight	lb (kg)	161 (73.0)	205 (93.0)
Weight w/ Cooling Kit	lb (kg)	—	Blower 222 (101.0)

(1) At 20°C (varies with the coil temperature).

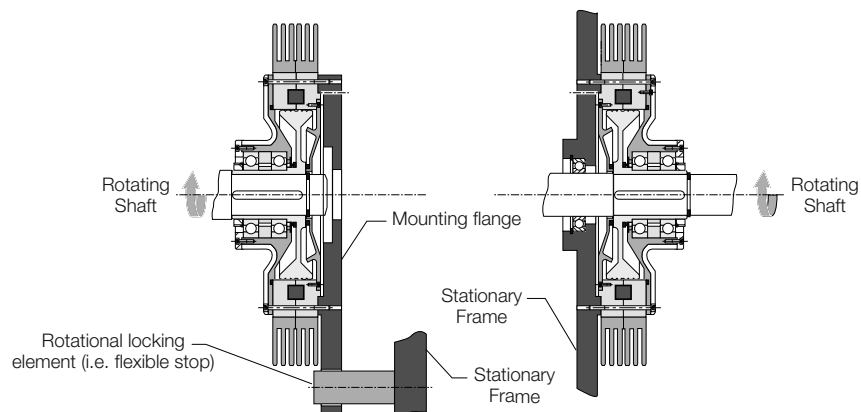
(2) Except RR versions. Any further request, consult Montalvo.

(3) Max. for rated life.

(4) Remnant Rotor version.



Recommended Mounting



Installation Hotlines

	207-856-2501 / 800-226-8710
	+86-21-52188010
	+45 75 57 27 11
	+49 (0)511 760 691 41

