

Montalvo

MP-Series

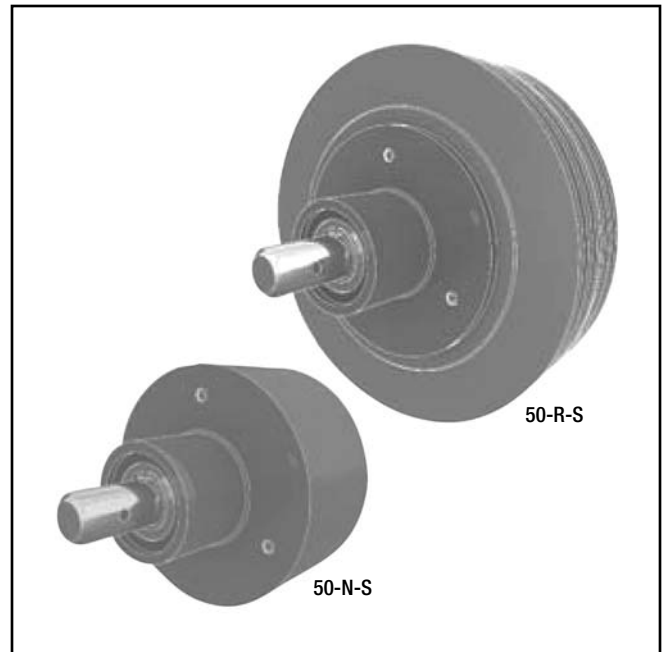
Magnetic Particle Brakes

Models:

MP-B-50-N-S / MP-B-50-R-S

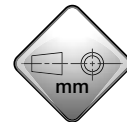
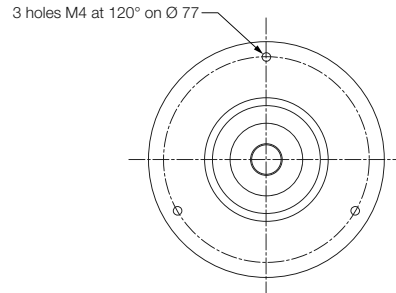
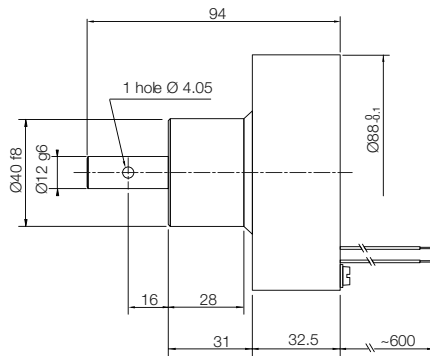
50

- Versatile Shafted design
- Torque range to **44 in-lb (5 Nm)**
- Radial cooling option
- Easily integrates into other systems
- Easy setup and operation

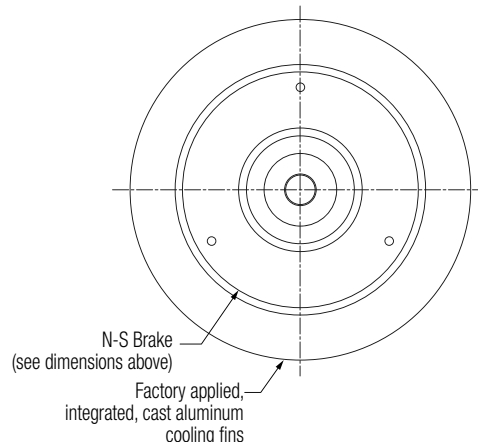
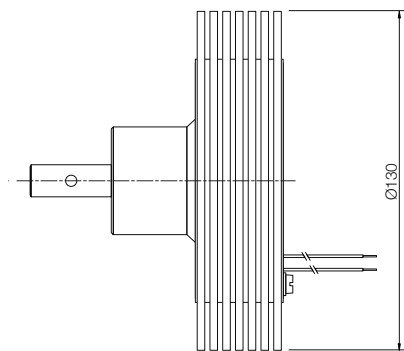


Ideal for clean room environments, Montalvo's MP-Series Brakes are a key component in high quality unwind applications. MP Brakes apply force (torque) to unwind webs in either closed or open-loop tension control systems. The **MP-B-50-N-S** features a compact size. The **MP-B-50-R-S** offers greater heat dissipation through passive radial cooling. MP-Series Brakes utilize the **VC2 Voltage Converter**, a micro-controller regulated current power supply.

MP-B-50-N-S



MP-B-50-R-S



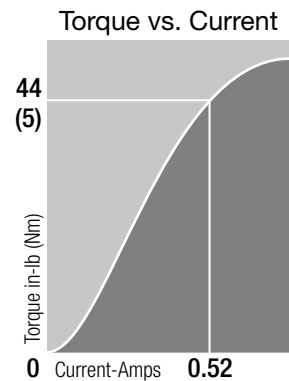
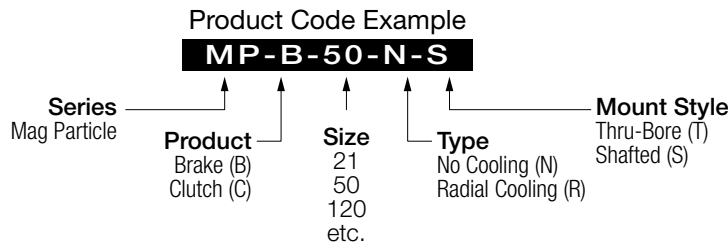
DATASHEET

| Specifications | | MP-B-50-N-S | MP-B-50-R-S |
|--|---|---------------------------------|-------------|
| Torque - Max. | in-lb (Nm) | 44 (5) | |
| Torque - Min. | in-lb (Nm) | 0.9 (0.10) | |
| Current - Rated | A | 0.52 | |
| Coil Resistance ⁽¹⁾ | Ω | 24 | |
| Rotor Inertia | in-lb ² (kg/m ²) | 0.1524 (44.6x10 ⁻⁶) | |
| Rotation Speed - Min. ⁽²⁾ | rpm (mn ⁻¹) | 40 | |
| Rotation Speed - Max. ⁽²⁾ | rpm (mn ⁻¹) | 3000 | |
| Temperature (housing) - Rated ⁽³⁾ | °F (°C) | 212 (100) | |
| Temperature (housing) - Max. ⁽³⁾ | °F (°C) | 248 (120) | |
| Heat Dissipation | HP (watts) | 0.07 (50) | 0.11 (85) |
| Weight | lb (kg) | 3.4 (1.5) | 4.3 (1.9) |

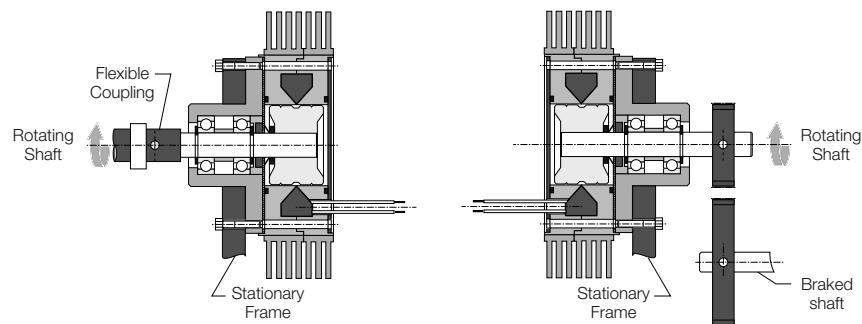
(1) At 20°C (varies with the coil temperature).

(2) Except RR versions. Any further request, consult

Montalvo.(3) Max. for rated life.



Recommended Mounting



Installation Hotlines

| | |
|--|-----------------------------|
| | 207-856-2501 / 800-226-8710 |
| | +86-21-52188010 |
| | +45 75 57 27 11 |
| | +49 (0)511 760 691 41 |

