

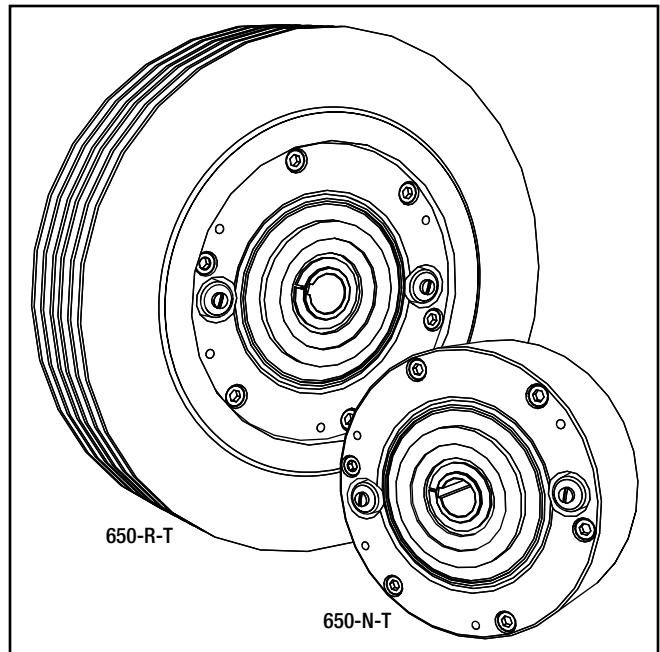
Montalvo

MP-Series

Magnetic Particle Brakes

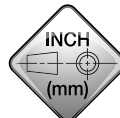
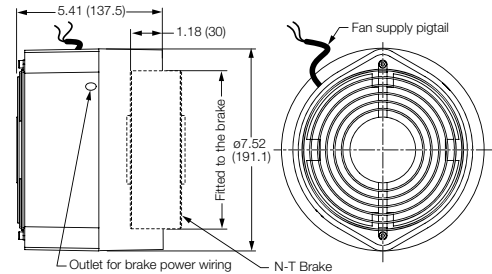
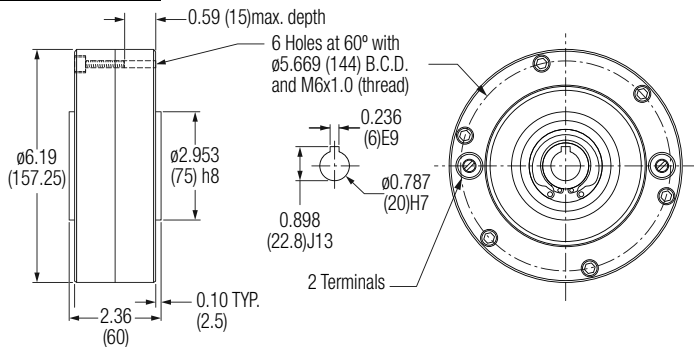
Models: **650**
MP-B-650-N-T / MP-B-650-R-T

- Versatile Thru-Shaft design
- Torque range to **575 in-lb (65 Nm)**
- Three cooling options
- Easily integrates into other systems
- Easy setup and operation

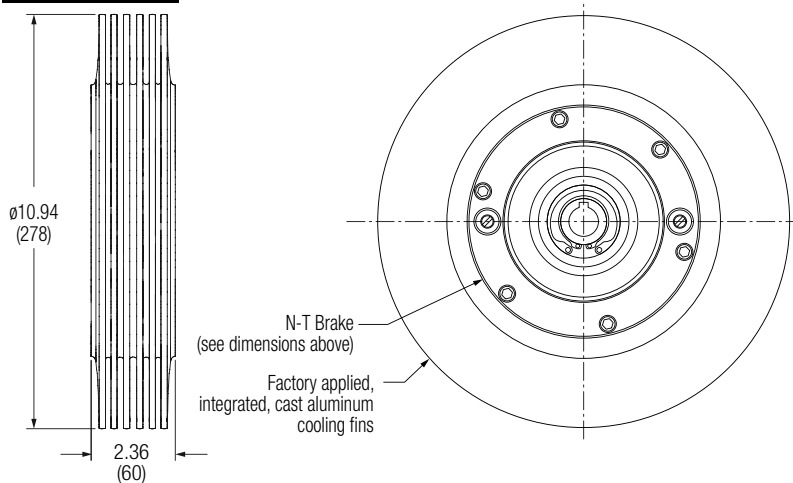


Ideal for clean room environments, Montalvo's MP-Series Brakes are a key component in high quality unwind applications. MP Brakes apply force (torque) to unwind webs in either closed or open-loop tension control systems. The **MP-B-650-N-T** features a compact size with an **optional fan kit** for increased cooling. The **MP-B-650-R-T** offers greater heat dissipation through passive radial cooling with an **optional blower kit** for maximum cooling. MP-Series Brakes utilize the **VC2 Voltage Converter**, a micro-controller regulated current power supply.

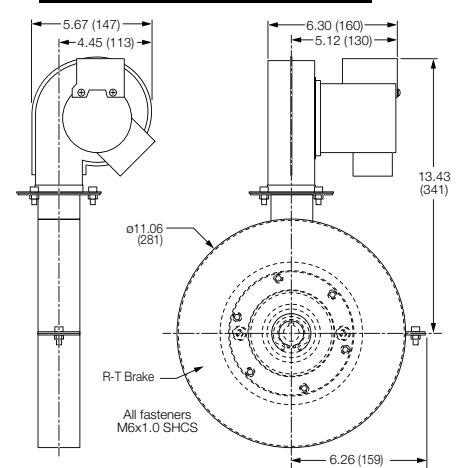
MP-B-650-N-T



MP-B-650-R-T



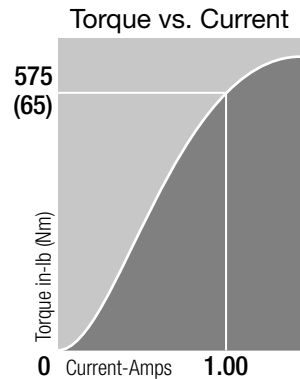
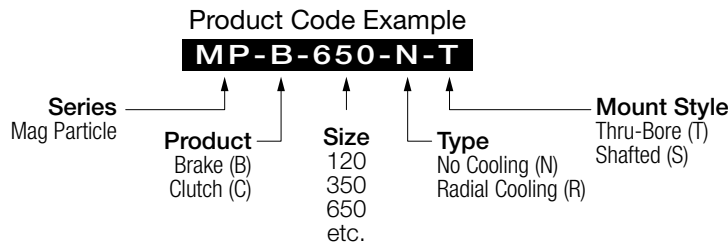
MP-B-650-R-T w/ Blower Kit



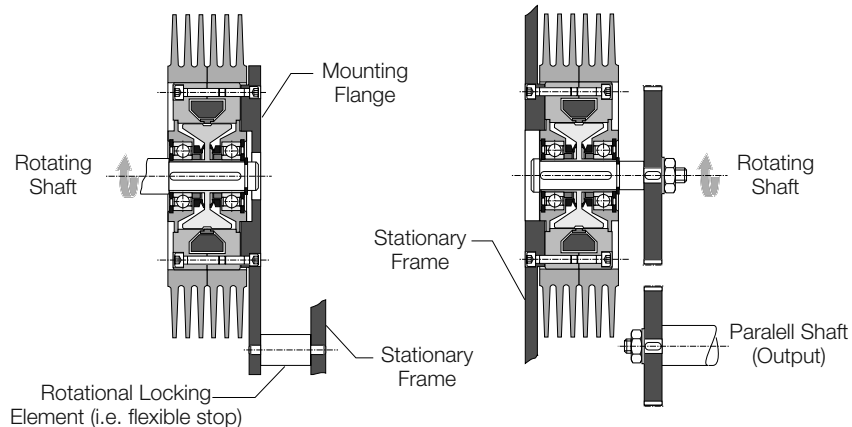
BETTER
 WEBS
 CONTROL
 ASSURANCE

Specifications		MP-B-650-N-T	MP-B-650-R-T
Torque - Max.	in-lb (Nm)	575 (65)	
Torque - Min.	in-lb (Nm)	5.6 (0.63)	
Torque - Min. (RR version) ⁽⁴⁾	in-lb (Nm)	11.5 (1.30)	
Current - Rated	A	1.00	
Coil Resistance ⁽¹⁾	Ω	20	
Rotor Inertia	in-lb ² (kg-m ²)	6.8343 (2x10 ⁻³)	
Rotation Speed - Min. ⁽²⁾	rpm (mn ⁻¹)	40	
Rotation Speed - Max. ⁽²⁾	rpm (mn ⁻¹)	3000	
Temperature (housing) - Rated ⁽³⁾	°F (°C)	212 (100)	
Temperature (housing) - Max. ⁽³⁾	°F (°C)	248 (120)	
Heat Dissipation	HP (Watts)	0.20 (150)	0.47 (350)
Heat Dissipation w/ Cooling Kit	HP (Watts)	Fan 0.94 (700)	Blower 2.41 (1800)
Weight	lb (kg)	15.8 (7.20)	24.0 (11.0)
Weight w/ Cooling Kit	lb (kg)	Fan 18.9 (8.6)	Blower 30.2 (13.82)

- (1) At 20°C (varies with the coil temperature).
- (2) Except RR versions. Any further request, consult Montalvo.
- (3) Max for rated life.
- (4) Remnant Rotor version.



Recommended Mounting



Installation Hotlines

- 🇺🇸 207-856-2501 / 800-226-8710
- 🇪🇺 +86-21-52188010
- 🇯🇵 +45 75 57 27 11
- 🇮🇹 +49 (0)511 760 691 41

