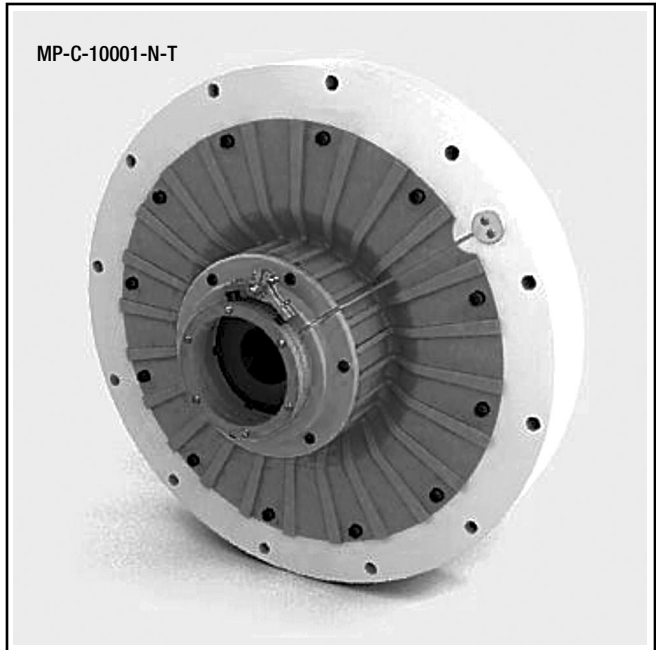


Montalvo MP-Series

Magnetic Particle Clutches

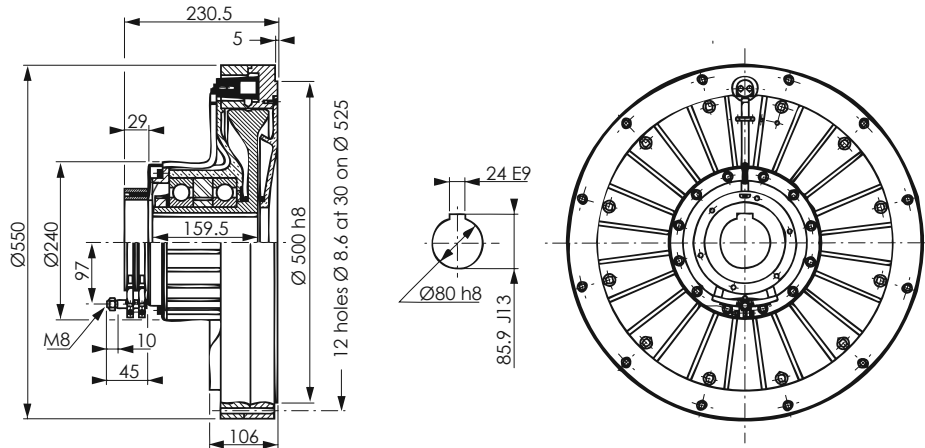
Models: **10001**
MP-C-10001-N-T / MP-C-10001-R-T

- Versatile Thru-Bore design
- Torque range to **8851 in-lb (1000 Nm)**
- Radial cooling option
- Easily integrates into other systems
- Easy setup and operation

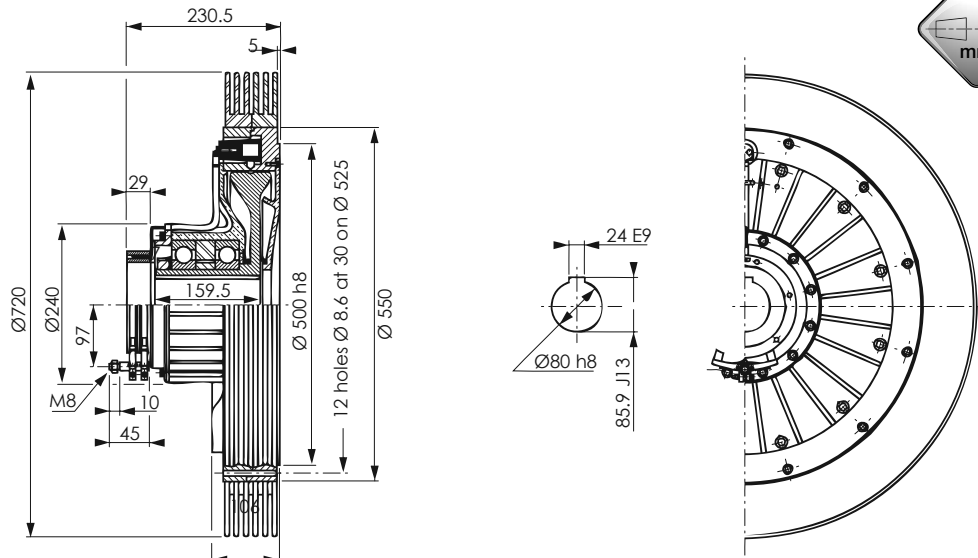


Montalvo's MP-Series Clutches are a key component in high quality rewind applications. MP Clutches apply force (torque) to rewind webs in either closed or open-loop tension control systems. The **MP-C-10001-N-T** features a compact size. The **MP-C-10001-R-T** offers greater heat dissipation thru passive radial cooling. MP-Series Clutches utilize the **VC2 Voltage Converter**, a microcontroller regulated current power supply.

MP-C-10001-N-T



MP-C-10001-R-T



DATA SHEET



Specifications		MP-C-10001-N-T	MP-C-10001-R-T
Torque - Max.	in-lb (Nm)	8851 (1000)	
Torque - Min.	in-lb (Nm)	89.6 (10)	
Torque - Min. (RR version) ⁽⁴⁾	in-lb (Nm)	177.0 (20)	
Current - Rated	A	1.7	
Coil Resistance ⁽¹⁾	Ω	20	
Rotor Inertia	in-lb ² (kg-m ²)	2764.834 (809x10 ⁻³)	
Rotation Speed - Min. ⁽²⁾	rpm (mn ⁻¹)	40	
Rotation Speed - Max. ⁽²⁾	rpm (mn ⁻¹)	1000	
Temperature (housing) - Rated ⁽³⁾	°F (°C)	212 (100)	
Temperature (housing) - Max. ⁽³⁾	°F (°C)	248 (120)	
Heat Dissipation @ 0 RPM ⁽⁵⁾	HP (Watts)	2.28 (1700)	4.02 (3000)
Heat Dissipation @ 350 RPM ⁽⁵⁾	HP (Watts)	2.65 (1980)	4.69 (3500)
Heat Dissipation @ 500 RPM ⁽⁵⁾	HP (Watts)	2.81 (2100)	-
Weight	lb (kg)	300 (136)	355 (161)

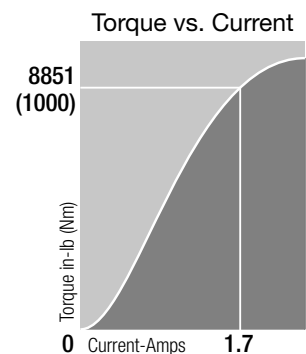
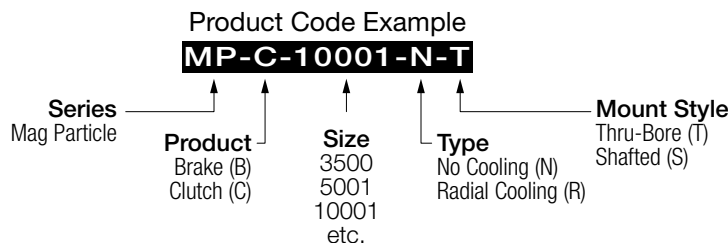
(1) At 20°C (varies with the coil temperature).

(2) Except RR versions. Any further request, consult Montalvo.

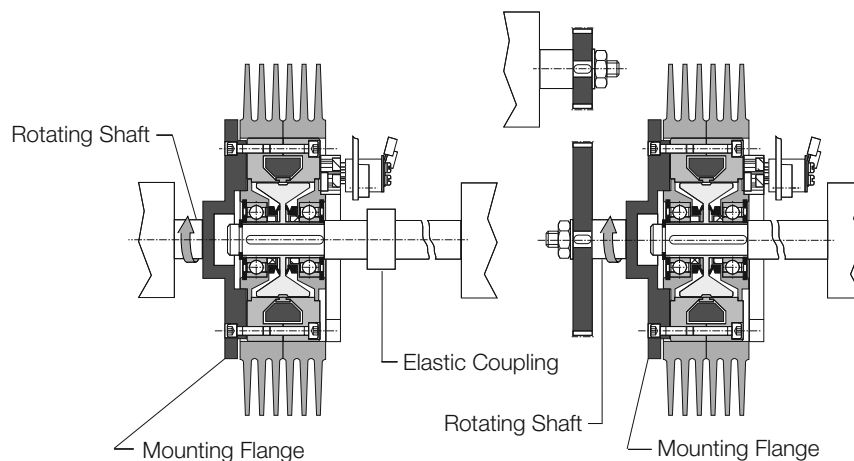
(3) Max. for rated life.

(4) Remnant Rotor version.

(5) External rotor rotational speed.



Recommended Mounting



Installation Hotlines

	207-856-2501 / 800-226-8710
	+86-21-52188010
	+45 75 57 27 11
	+49 (0)511 760 691 41

