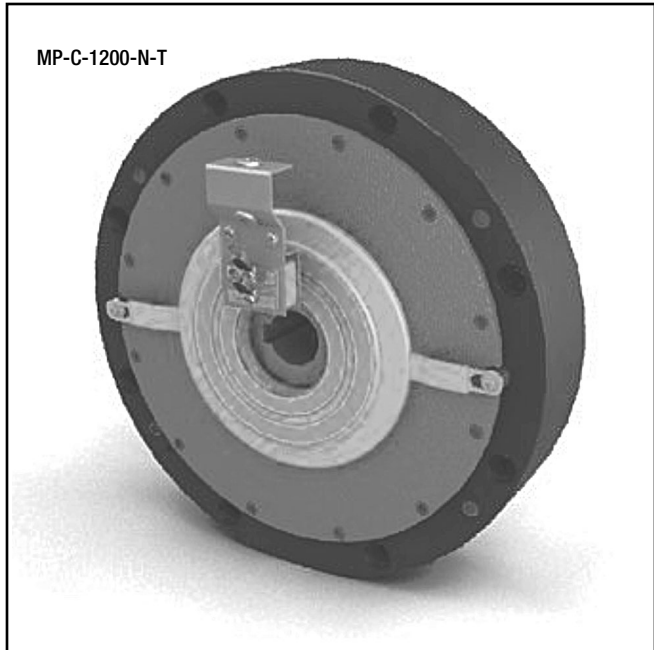


Montalvo MP-Series

Magnetic Particle Clutches

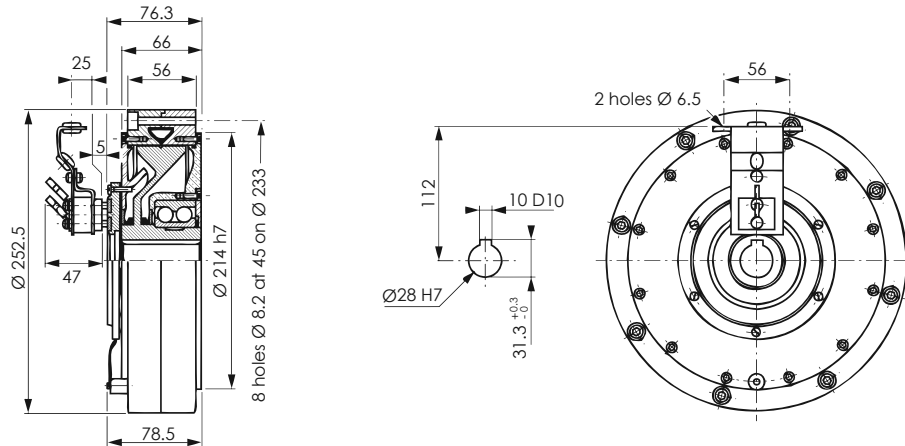
Models: **1200**
MP-C-1200-N-T / MP-C-1200-R-T

- Versatile Thru-Bore design
- Torque range to **1062 in-lb (120 Nm)**
- Radial cooling option
- Easily integrates into other systems
- Easy setup and operation

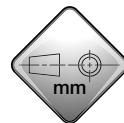
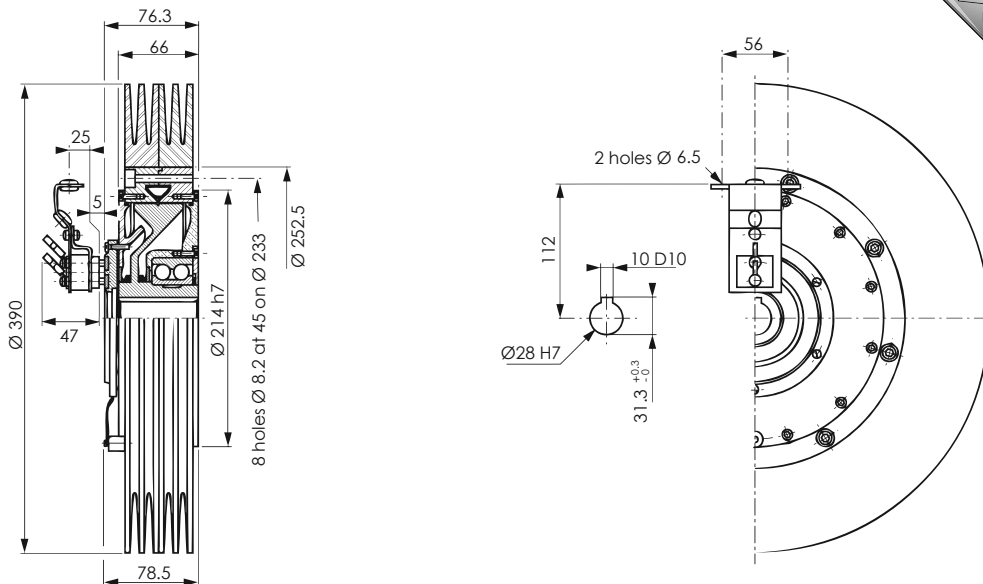


Montalvo's MP-Series Clutches are a key component in high quality rewind applications. MP Clutches apply force (torque) to rewind webs in either closed or open-loop tension control systems. The **MP-C-1200-N-T** features a compact size. The **MP-C-1200-R-T** offers greater heat dissipation thru passive radial cooling. MP-Series Clutches utilize the **VC2 Voltage Converter**, a microcontroller regulated current power supply.

MP-C-1200-N-T



MP-C-1200-R-T



DATA SHEET



Specifications		MP-C-1200-N-T	MP-C-1200-R-T
Torque - Max.	in-lb (Nm)	1062 (120)	
Torque - Min.	in-lb (Nm)	10.7 (1.20)	
Torque - Min. (RR version) ⁽⁴⁾	in-lb (Nm)	21.3 (2.4)	
Current - Rated	A	1.10	
Coil Resistance ⁽¹⁾	Ω	12.5	
Rotor Inertia	in-lb ² (kg-m ²)	90.555 (26.5x10 ⁻³)	
Rotation Speed - Min. ⁽²⁾	rpm (mn ⁻¹)	40	
Rotation Speed - Max. ⁽²⁾	rpm (mn ⁻¹)	2000	
Temperature (housing) - Rated ⁽³⁾	°F (°C)	212 (100)	
Temperature (housing) - Max. ⁽³⁾	°F (°C)	248 (120)	
Heat Dissipation @ 0 RPM ⁽⁵⁾	HP (Watts)	0.40 (300)	0.73 (550)
Heat Dissipation @ 1000 RPM ⁽⁵⁾	HP (Watts)	1.00 (750)	2.14 (1600)
Heat Dissipation @ 1500 RPM ⁽⁵⁾	HP (Watts)	1.30 (975)	2.85 (2125)
Weight	lb (kg)	38.5 (17.5)	56.2 (25.5)

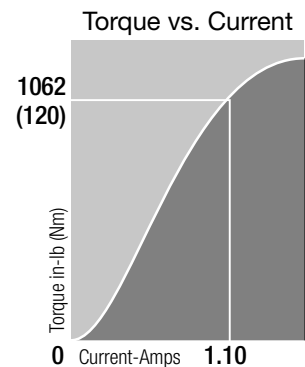
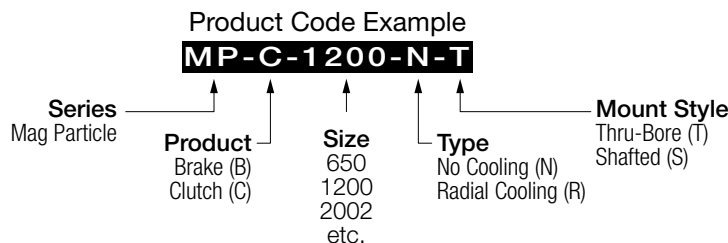
(1) At 20°C (varies with the coil temperature).

(2) Except RR versions. Any further request, consult Montalvo.

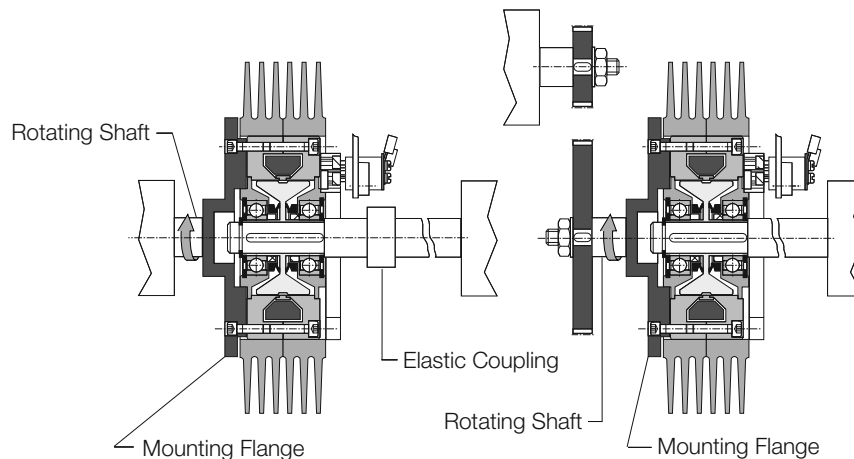
(3) Max. for rated life.

(4) Remnant Rotor version.

(5) External rotor rotation speed.



Recommended Mounting



Installation Hotlines

	207-856-2501 / 800-226-8710
	+86-21-52188010
	+45 75 57 27 11
	+49 (0)511 760 691 41

