

Montalvo MP-Series

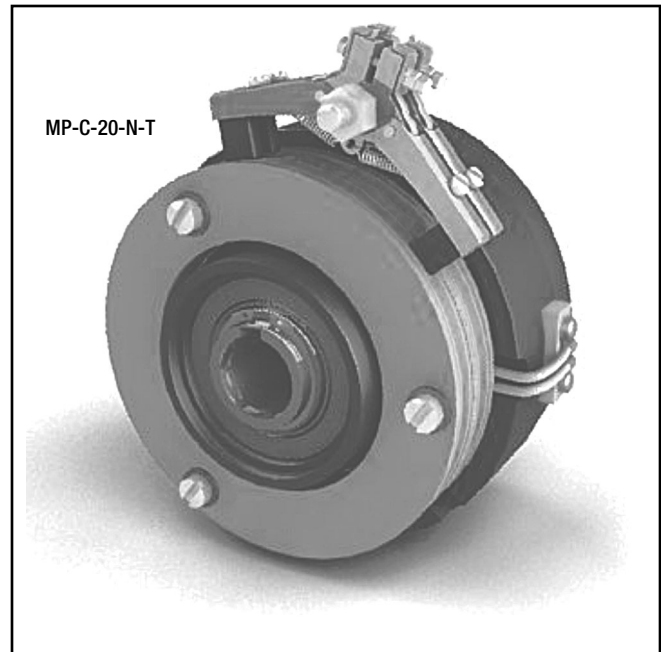
Magnetic Particle Clutches

Models:

MP-C-20-N-T / MP-C-20-R-T

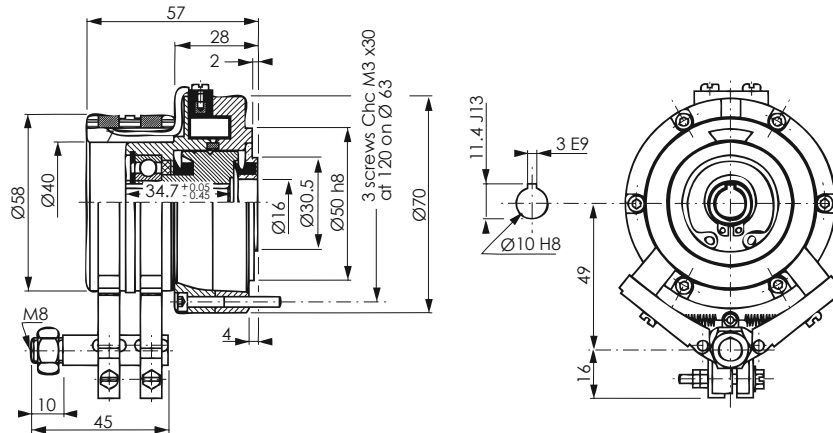
20

- Versatile Thru-Bore design
- Torque range to **18 in-lb (2 Nm)**
- Radial cooling option
- Easily integrates into other systems
- Easy setup and operation

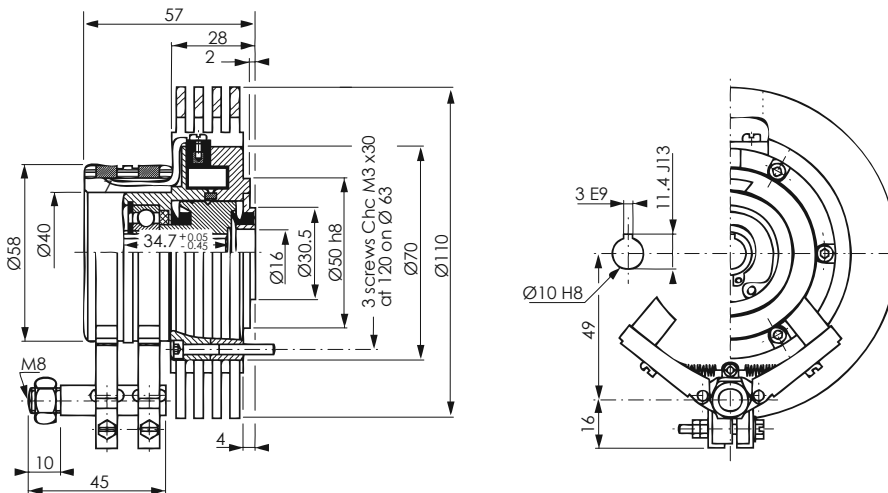


Montalvo's MP-Series Clutches are a key component in high quality rewind applications. MP Clutches apply force (torque) to rewind webs in either closed or open-loop tension control systems. The **MP-C-20-N-T** features a compact size. The **MP-C-20-R-T** offers greater heat dissipation thru passive radial cooling. MP-Series Clutches utilize the **VC2 Voltage Converter**, a microcontroller regulated current power supply.

MP-C-20-N-T



MP-C-20-R-T



Specifications		MP-C-20-N-T	MP-C-20-R-T
Torque - Max.	in-lb (Nm)	18 (2)	
Torque - Min.	in-lb (Nm)	0.4 (0.04)	
Torque - Min. (RR version) ⁽⁴⁾	in-lb (Nm)	0.8 (0.08)	
Current - Rated	A	0.40	
Coil Resistance ⁽¹⁾	Ω	24	
Rotor Inertia	in-lb ² (kg-m ²)	0.0547 (16x10 ⁻⁶)	
Rotation Speed - Min. ⁽²⁾	rpm (mn ⁻¹)	40	
Rotation Speed - Max. ⁽²⁾	rpm (mn ⁻¹)	2000	
Temperature (housing) - Rated ⁽³⁾	°F (°C)	212 (100)	
Temperature (housing) - Max. ⁽³⁾	°F (°C)	248 (120)	
Heat Dissipation @ 0 rpm ⁽⁵⁾	HP (Watts)	0.05 (40)	0.08 (60)
Heat Dissipation @ 1000 rpm ⁽⁵⁾	HP (Watts)	0.12 (95)	0.18 (135)
Heat Dissipation @ 2000 rpm ⁽⁵⁾	HP (Watts)	0.16 (125)	0.24 (180)
Weight	lb (kg)	2.2 (1)	2.6 (1.2)

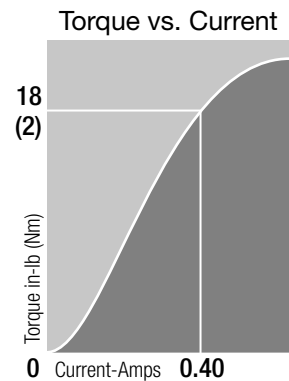
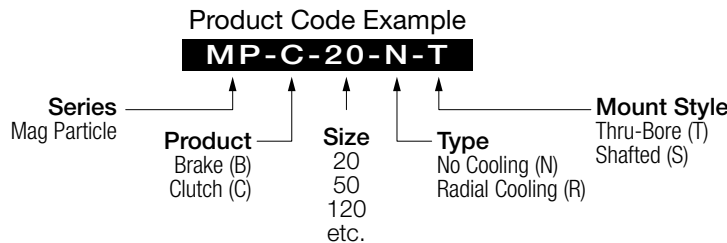
(1) At 20°C (varies with the coil temperature).

(2) Relative speed between the two rotors. Any further request, consult Montalvo.

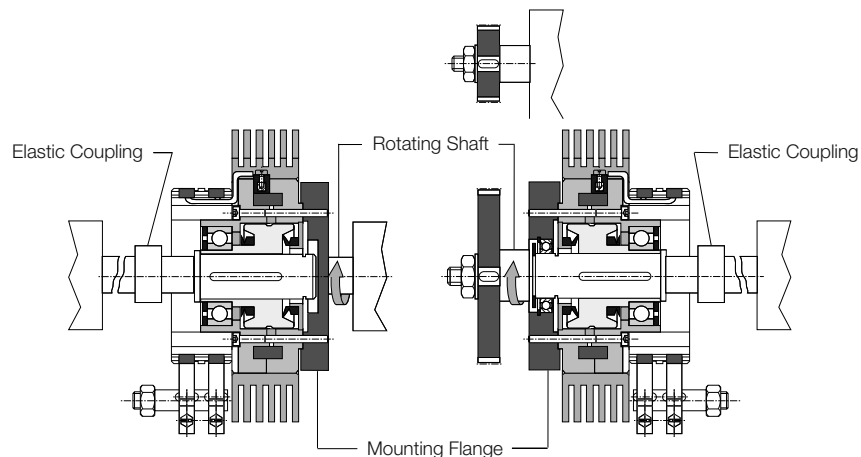
(3) Max for rated life.

(4) Remnant Rotor version.

(5) External rotor rotation speed.



Recommended Mounting



Installation Hotlines

🇺🇸	207-856-2501 / 800-226-8710
🇪🇺	+86-21-52188010
🇩🇪	+45 75 57 27 11
🇮🇹	+49 (0)511 760 691 41

