

Montalvo

MP-Series

Magnetic Particle Clutches

Models:

MP-C-5001-N-T / MP-C-5001-R-T

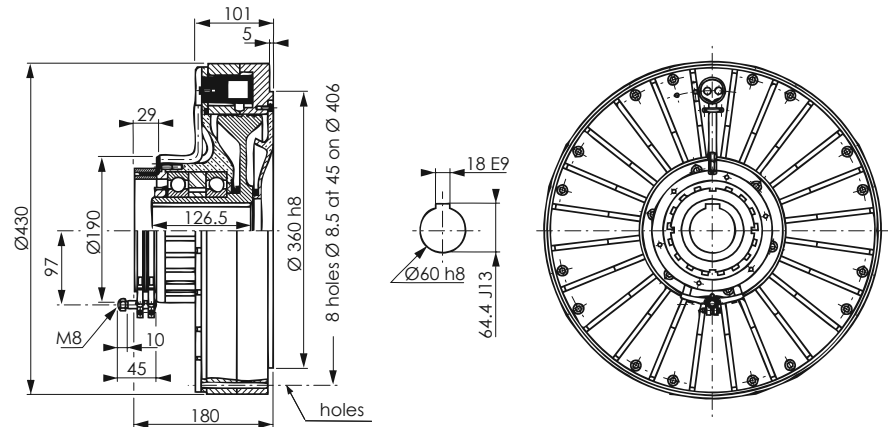
5001

- Versatile Thru-Bore design
- Torque range to **4426 in-lb (500 Nm)**
- Radial cooling option
- Easily integrates into other systems
- Easy setup and operation

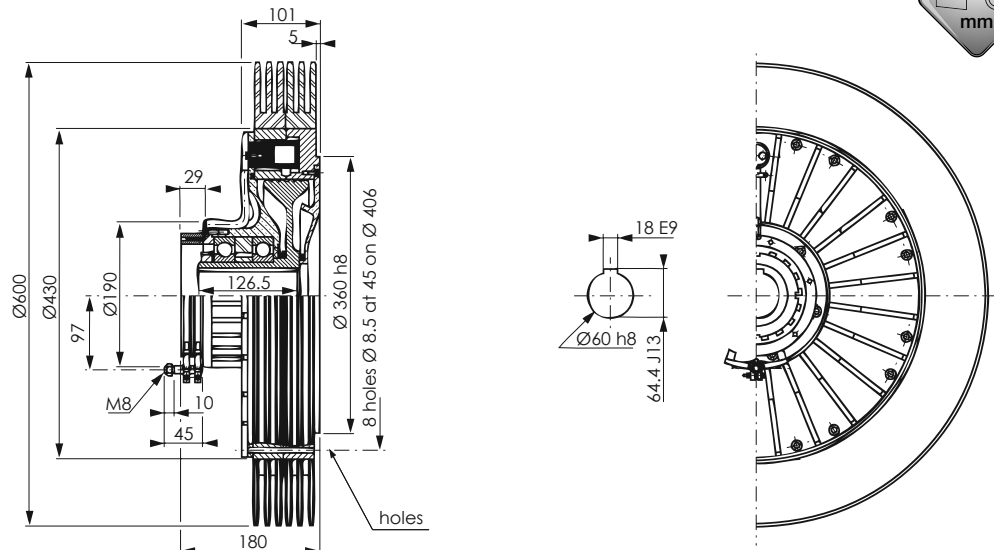


Montalvo's MP-Series Clutches are a key component in high quality rewind applications. MP Clutches apply force (torque) to rewind webs in either closed or open-loop tension control systems. The **MP-C-5001-N-T** features a compact size. The **MP-C-5001-R-T** offers greater heat dissipation thru passive radial cooling. MP-Series Clutches utilize the **VC2 Voltage Converter**, a microcontroller regulated current power supply.

MP-C-5001-N-T



MP-C-5001-R-T

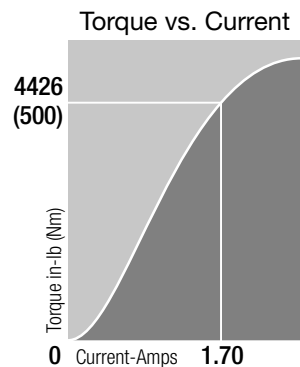
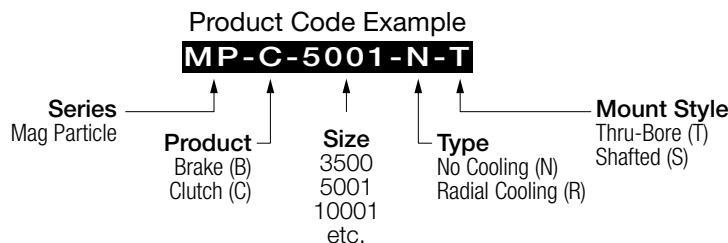


DATA SHEET

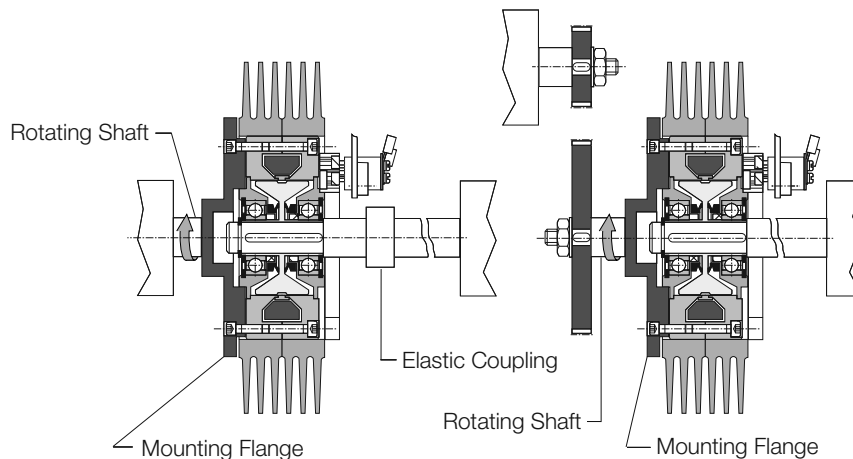


Specifications		MP-C-5001-N-T	MP-C-5001-R-T
Torque - Max.	in-lb (Nm)	4426 (500)	
Torque - Min.	in-lb (Nm)	44.3 (5.0)	
Torque - Min. (RR version) ⁽⁴⁾	in-lb (Nm)	88.6 (10.0)	
Current - Rated	A	1.70	
Coil Resistance ⁽¹⁾	Ω	11	
Rotor Inertia	in-lb ² (kg-m ²)	1131.426 (331x10 ⁻³)	
Rotation Speed - Min. ⁽²⁾	rpm (mn ⁻¹)	40	
Rotation Speed - Max. ⁽²⁾	rpm (mn ⁻¹)	1000	
Temperature (housing) - Rated ⁽³⁾	°F (°C)	212 (100)	
Temperature (housing) - Max. ⁽³⁾	°F (°C)	248 (120)	
Heat Dissipation @ 0 RPM ⁽⁵⁾	HP (Watts)	1.34 (1000)	2.41 (1800)
Heat Dissipation @ 700 RPM ⁽⁵⁾	HP (Watts)	1.90 (1420)	4.02 (3000)
Heat Dissipation @ 1000 RPM ⁽⁵⁾	HP (Watts)	2.14 (1600)	-
Weight	lb (kg)	164 (74.0)	208 (94.0)

- (1) At 20°C (varies with the coil temperature).
- (2) Except RR versions. Any further request, consult Montalvo.
- (3) Max. for rated life.
- (4) Remnant Rotor version.
- (5) External rotor rotation speed.



Recommended Mounting



Installation Hotlines

- 🇺🇸 207-856-2501 / 800-226-8710
- 🇪🇺 +86-21-52188010
- 🇩🇪 +45 75 57 27 11
- 🇮🇹 +49 (0)511 760 691 41

