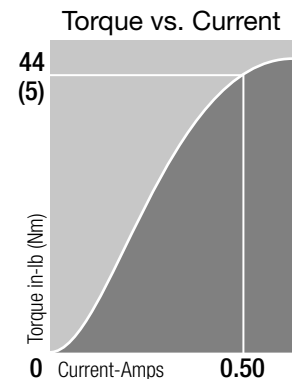
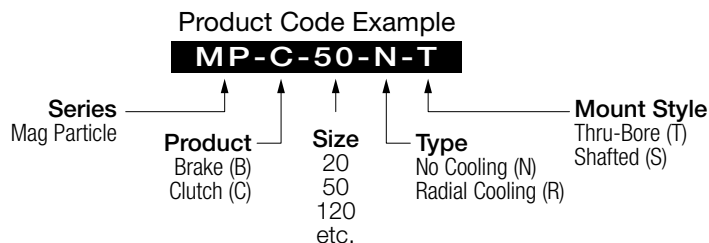
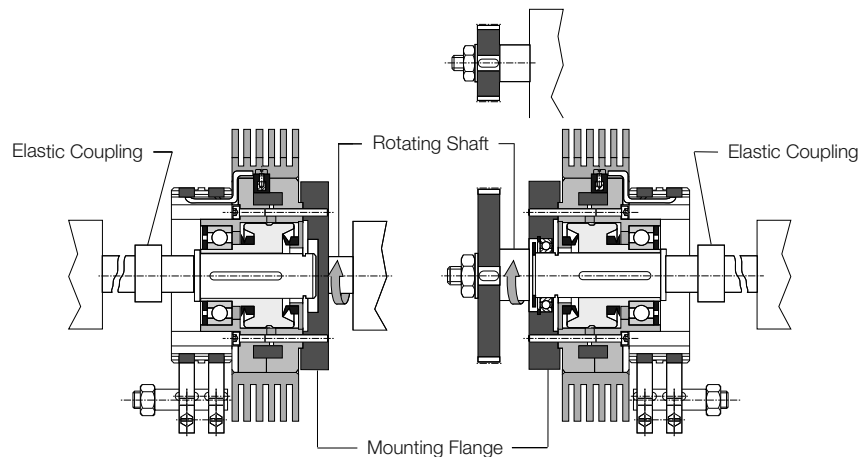


Specifications		MP-C-50-N-T	MP-C-50-R-T
Torque - Max.	in-lb (Nm)	44 (5)	
Torque - Min.	in-lb (Nm)	1.8 (0.20)	
Torque - Min. (RR version) ⁽⁴⁾	in-lb (Nm)	3.6 (0.40)	
Current - Rated	A	0.50	
Coil Resistance ⁽¹⁾	Ω	24	
Rotor Inertia	in-lb ² (kg-m ²)	0.3383 (99x10 ⁻⁶)	
Rotation Speed - Min. ⁽²⁾	rpm (mn ⁻¹)	40	
Rotation Speed - Max. ⁽²⁾	rpm (mn ⁻¹)	2000	
Temperature (housing) - Rated ⁽³⁾	°F (°C)	212 (100)	
Temperature (housing) - Max. ⁽³⁾	°F (°C)	248 (120)	
Heat Dissipation @ 0 RPM ⁽⁵⁾	HP (Watts)	0.09 (70)	0.13 (100)
Heat Dissipation @ 1000 RPM ⁽⁵⁾	HP (Watts)	0.17 (130)	0.36 (275)
Heat Dissipation @ 2000 RPM ⁽⁵⁾	HP (Watts)	0.22 (165)	0.48 (360)
Weight	lb (kg)	4.4 (2.0)	5.3 (2.4)

- (1) At 20°C (varies with the coil temperature).
- (2) Relative speed between the two rotors. Any further request, consult Montalvo.
- (3) Max for rated life.
- (4) Remnant Rotor version.
- (5) External rotor rotation speed.



Recommended Mounting



Installation Hotlines

- 🇺🇸 207-856-2501 / 800-226-8710
- 🇪🇺 +86-21-52188010
- 🇯🇵 +45 75 57 27 11
- 🇮🇹 +49 (0)511 760 691 41

