

MRU

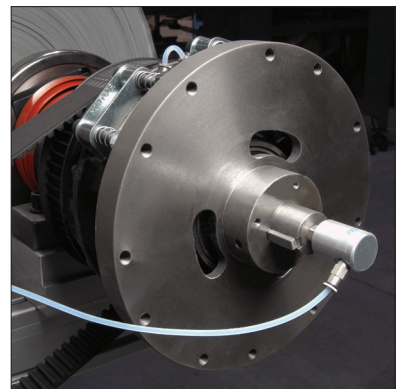
Micro Rotary Union

**Montalvo MRU Micro Rotary Union**

The Montalvo Micro Rotary Union is a mechanical rotating device that allows the transfer of air to and from rotating equipment. It is used in machinery that requires a constant air flow during rotation and can operate at speeds of up to **7000 RPM** with a maximum air pressure of **75 psi**. The small size is ideal for use in applications with limited space. The MRU uses micro precision instrument bearings and a carbon seal. The shaft is made of rugged stainless steel.

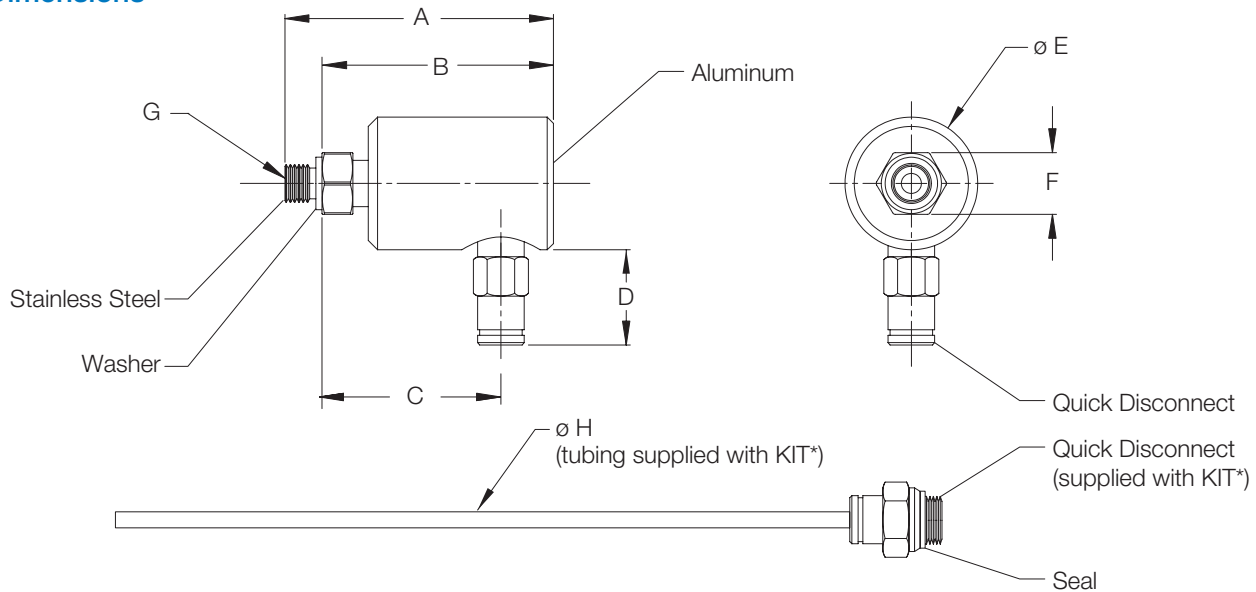
**Features & Benefits**

- ▶ **The Seal** - Constructed of a **carbon** material designed to be effective, durable and to have a long life.
- ▶ **The Bearings** - Ball type, **precision instrument grade** requiring no maintenance.
- ▶ **The Shaft** - Made of rugged, corrosion and wear resistant **stainless steel**.
- ▶ **The Body** - A single piece **aluminum housing** that protects the internal parts.
- ▶ **The Size** - One of the **smallest rotary unions available** with this performance feature set.
- ▶ **Low Friction Resistance** - Ideal for **delicate start-ups** and small scale applications.
- ▶ **Wide Range Performance** - For application running to **7000 RPM** and/or **75psi**.



An MRU installed on a Montalvo CD-Series clutch.

Dimensions



Model	A	B	C	D	E	F	G	H
MRU-1	1.71 (43.5)	1.48 (37.5)	1.14 (29.0)	0.59 (15)	0.85 (21.5)	0.39 (10)	1/4-28 UNF	1/8"
MRU-2	1.71 (43.5)	1.48 (37.5)	1.14 (29.0)	0.59 (15)	0.85 (21.5)	0.47 (12)	1/8 NPT	4mm

Specifications

	MRU-1	MRU-2
Part No. (kit*)	10000517	10001631
Maximum Working Pressure psi (bar)	75 (5.17)	
Operating Temperature °F (°C)	-4 to +125 (-20 to +80)	
Maximum RPM	7000	
Shaft Material	Stainless Steel	
Housing Material	Aluminum	
Tap Size	1/4-28 UNF	1/8 NPT
Quick Disconnect Tubing Size	1/8"	4mm
Additional parts included in KIT*		
Tubing	1/8" x 12"	4mm x 30mm
Quick Disconnect	1/8" NPT x 1/8" dia. tubing	1/8" NPT x 4mm dia. tubing

*The kit consists of the MRU, a length of tubing and a quick disconnect.