



*Analog Readout*

*Easy Installation & Operation*

*Simple Interfaceto Web Tension Controllers*

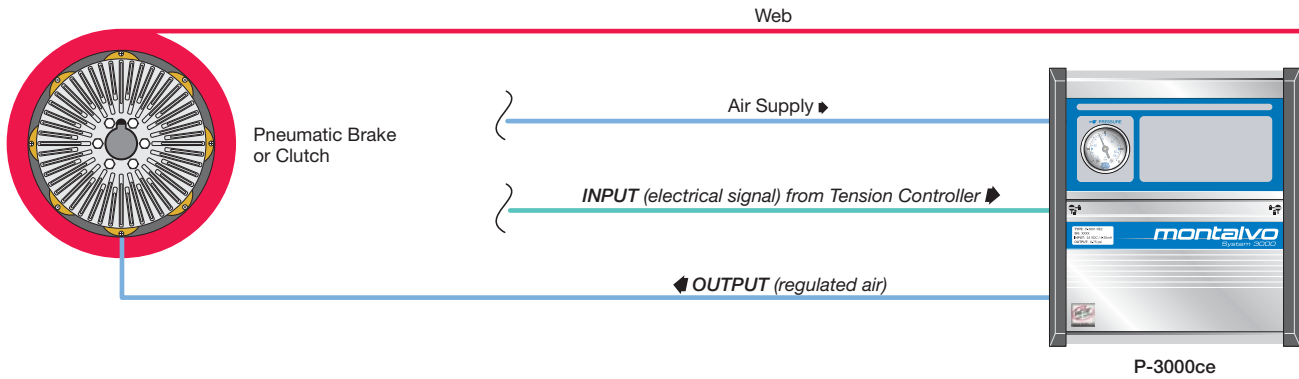
IP54 CE

*System 3000™*

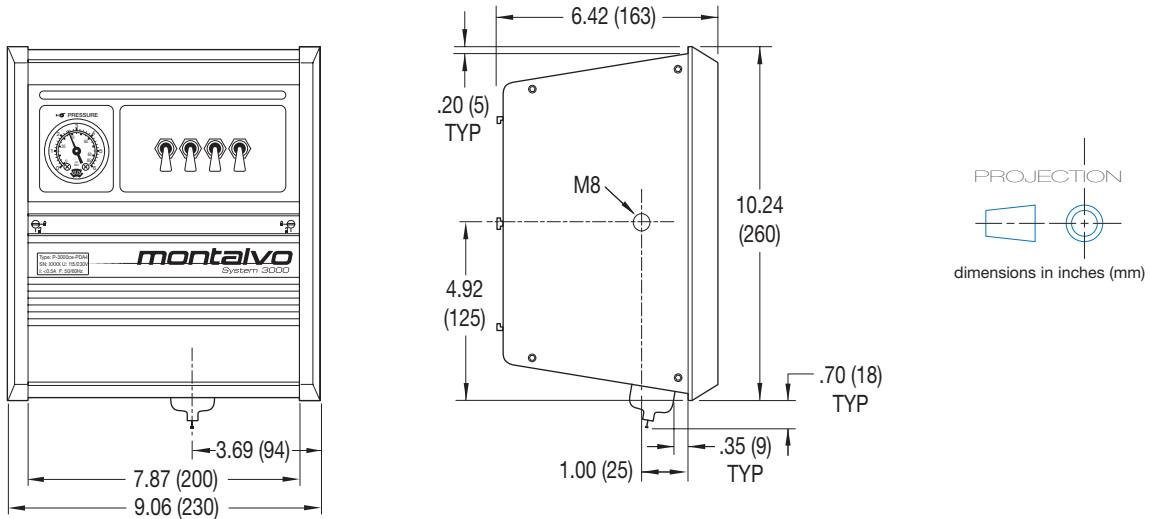
### **P-3000ce Pneumatic Interface**

The Montalvo P-3000ce Pneumatic Interface may be used to facilitate the installation of a complete Montalvo Tension Control system consisting of a pneumatic brake or clutch and a dancer or load cell based tension control. It includes optional multiple range valving, pressure guage, air filter and I/P converter. Model P-3000ce-DA employs manual switching. P-3000ce-RE uses solenoid valves. Both models contain a 5 micron filter and Montalvo's high response MPC-4 I/P converter as well as a large gauge for monitoing output pressure. P-3000ce-DA is available with 1 to 4 manual switches for controlling cylinders on multiple range brakes. P-3000ce-RE is available with 2 to 4 solenoids for automated adjustment of brake ranges. An emergency stop valve in the P-3000ce-RE unit switches fromregulated pressure to line pressure during emergency stop or power failure.

### Typical Application



### Specifications



#### Model

P-3000ce-DA1	Manual with 1 Switch
P-3000ce-DA2	Manual with 2 Switches
P-3000ce-DA3	Manual with 3 Switches
P-3000ce-DA4	Manual with 4 Switches
P-3000ce-RE2	Automatic with 2 Range Valves & Emergency Stop Valve
P-3000ce-RE3	Automatic with 3 Range Valves & Emergency Stop Valve
P-3000ce-RE4	Automatic with 4 Range Valves & Emergency Stop Valve

#### Pneumatics

Pneumatic Inlet Pressure	80-150 psi
Pneumatic Tube Size	Ø1/4" (6mm)
Pneumatic Outlet size	Ø1/4" (6mm)
Filtration	5 micron
I/P Converter Flow	11 SCFM
I/P Converter Pressure	0-75 psi
I/P Converter Accuracy	0.01
Emergency Stop Valve Flow (P-3000RE)	11 SCFM
Range Expander Valves Flow (P-3000RE)	3.6 SCFM
Manual Range Valves Flow (P-3000RE)	5.4 SCFM

#### Electrical

I/P converter Supply	4-20mA
Solenoid Valve Supply	24VDC
Solenoid Valve Power Consumption	0.6W
Connection (P-3000-RE)	8 Pin Circular DIN Connector
Standards	Designed to meet UL 508 and EN 60204

#### Other

Material Fire Classification	94VO
Weight (approx.)	7.7-10.2 lb (3.5-4.6 kg)
Size (WxDxH)	9.06 x 6.42 x 10.24 (230 x 163 x 260)
Cut-Out (WxH)	8.78 x 9.96 (223 x 253)
Cut-Out Tolerance	+ .063 / -.000 (+ 2 / -0)
Dimensions	inches (mm)