

NEW



Montalvo D-3400-HD Dancer Controller


The D-3400-HD brings precise, accurate, repeatable tension control to applications utilizing a dancer/rider arm. Combining industry leading technology and advanced functionality creates a performance driven, convenient, and easy to operate tension control system.

Features

▶ **Unwind Zone Functionality**

- Soft Start: eliminates shocks to the web on startup
- Anti-coast: prevents web tension from dropping on stop
- Web Break Detection: stops machine should a break occur
- Splice: maintains tension for more successful splices

▶ **Multiple Feedback Sources** - ultra-sonic, dancer, proximity, laser and potentiometer

▶ **Variable Wrap Angle Technology™**  - eliminates need to isolate tension sensing roll

▶ **Set It & Forget It Technology** - set-up parameters eliminate constant monitoring

▶ **Range Expansion**  - requires P-3000-HD Automatic Range Expander (controls air to multi-range brakes)

▶ **Progressive PID Circuitry** - responsive, stable control at full roll to core

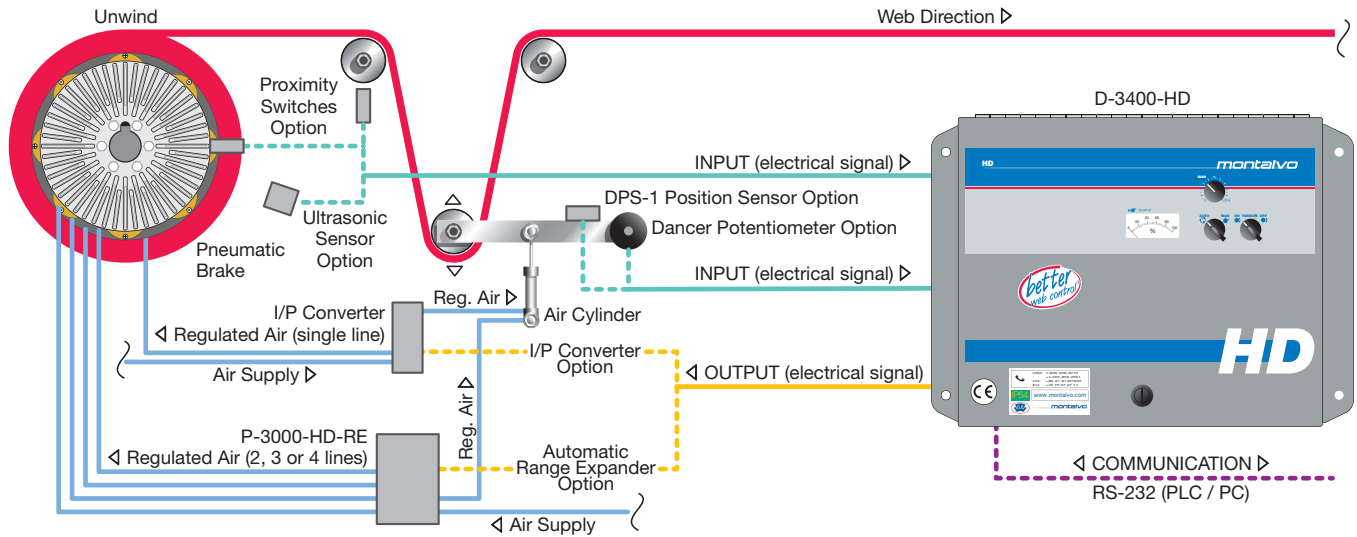
▶ **Multiple Mounting Options** - a dust proof, water resistant heavy duty enclosure or standalone circuit board

CB64
Circuit board version
of the D-3400-HD

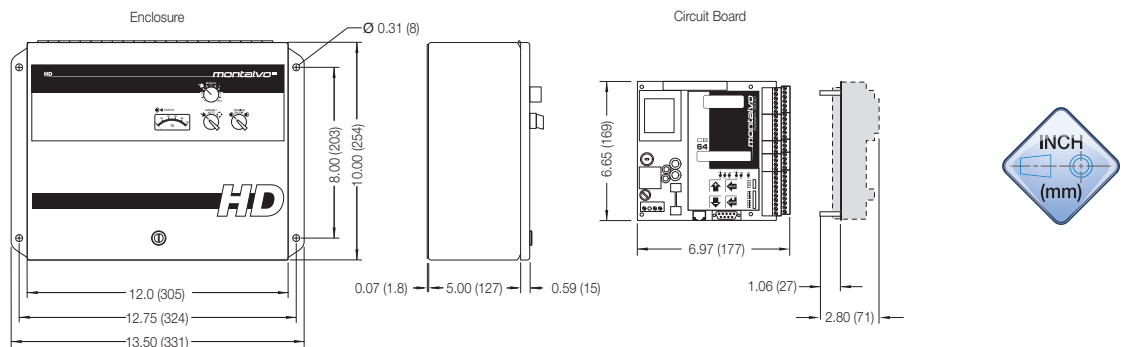


Montalvo
D-3400-HD
 Dancer Controller

How it works



Dimensions



Specifications

Electrical

AC Input.....	115 or 230 VAC ±10% (IEC-60204-1) 48 to 62 Hz
Fuse Size (115 V).....	160 mA T (slow-blowing type)
Fuse Size (230 V).....	80 mA T (slow-blowing type)
Overvoltage Category.....	II (IEC 664)
Test Voltage.....	3.75 kV for 1 minute primary to secondary
Max Power Consumption.....	12 VA
Max External Input Fuse.....	10 A
Noise Immunity.....	EN 50082-2 industrial
Noise Emission.....	EN 50081-1
Zero Range (tare).....	.50% of potentiometer rating
Calibration Range.....	11 to 480
Regulator Outputs.....	0 to 10 VDC, Max. load 5 mA
	4 to 20 mA / 0 to 20 mA, RL = 0 to 1000 Ω
Meter Outputs.....	0 to 100 μA
	0 to 10 VDC, Max. load 5 mA
Dancer Roll Potentiometer Supply.....	±2.5 VDC
Potentiometer Resistance.....	10k Ω
Dancer Potentiometer Input.....	0 - ±2.5VDC Max.
Standards.....	Designed to meet UL 508 and EN 60204

Environmental

Temperature Range	Operating.....	32 to 122°F (0 to 50°C)
	Storage.....	14 to 176°F (-10 to 80°C)
Degree of Protection	Enclosure.....	IP54
	Circuit Board.....	IP10

Functions

Manual Setpoint.....	Standard
Manual / Auto.....	Standard
Tension On / Off.....	Standard
Splice.....	Optional
Range Expansion (requires P-3000-HD-RE).....	Optional
Variable Wrap Angle.....	Optional

Communications

RS-232.....	Standard
-------------	----------

The Montalvo Corporation

50 Hutcherson Drive, Gorham, Maine 04038 USA
 Fax: 1-800-644-5097 / 207-856-2509

1-800-226-8710 / info@montalvo.com / www.montalvo.com
 Technical details subject to change without notice. D-3400-HD-US-01 © Montalvo

montalvo
 Better Web Control®