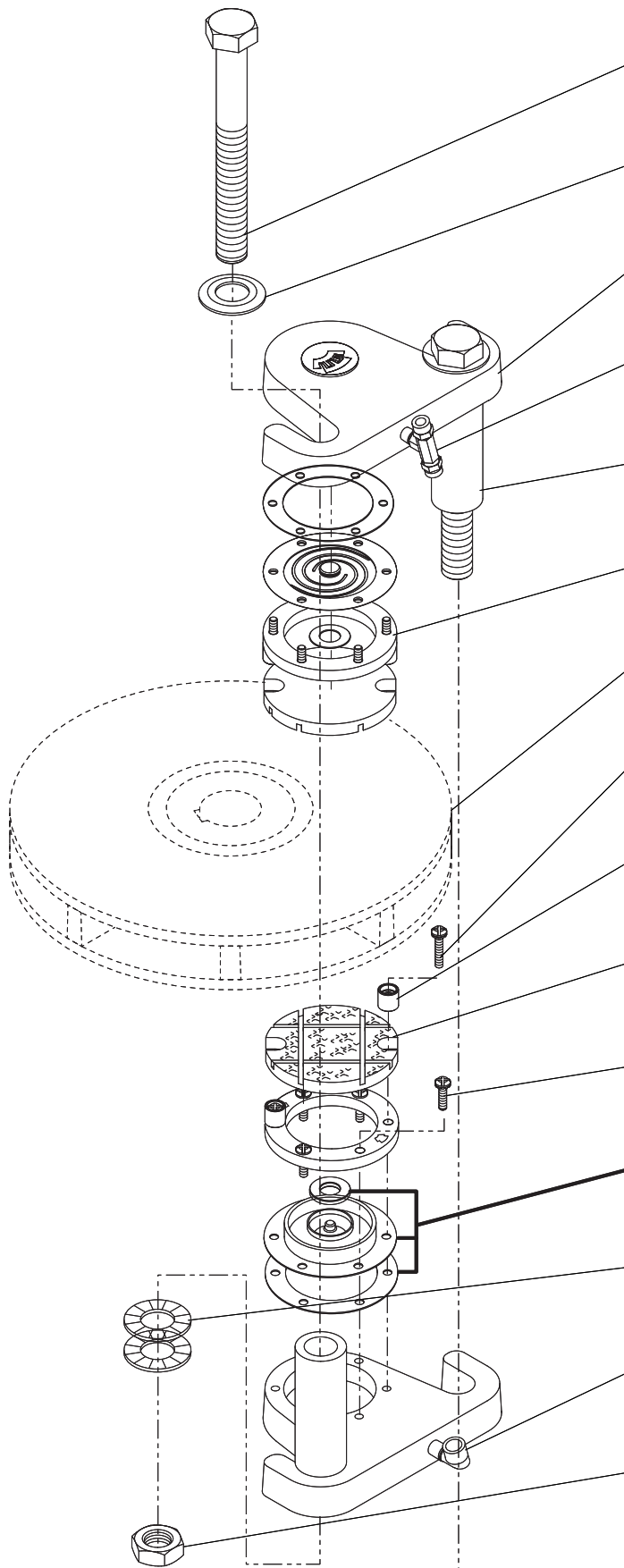


# PARTS

## M-Caliper Friction Module

03/01/2022-1



3/4-10x7-1/2" HHCS #18000187	ea.
BELLVILLE WASHER 3/4" #18000135	ea.
M FRICTION MODULE CASTING #10501895	ea.
BRANCH TEE FITTING #18000344	ea.
SPACER #10000273	ea.
COLLAR #10000533	ea.
ROTOR Supplied by customer	ea.
10-24x3/4" SEM SCREW #10000496	bag of 50
TORQUE POST #10000536	\$ea.
FRICTION PAD Many types available	ea.*
10-24x1" SEM SCREW #10000495	bag of 50
<b>PISTON ASSEMBLY</b> (includes magnet and gasket) #10002048	box of 2
Camloc® WASHER 3/4" #18000127	ea.
ELBOW FITTING #18000319	ea.
3/4"-10 JAM NUT #18000072	ea.

\* Price can vary depending on friction pad style

USA 1-800-226-8710 / +1-207-856-2501  
 CN +86-21-52188010  
 EU +45 75 57 27 11  
 DE +49 (0)511 760 691 41

Montalvo, 50 Hutcherson Drive, Gorham, Maine 04038 USA  
 info@montalvo.com www.montalvo.com  
 Prices and technical information subject to change without notice. © montalvo

EST. 1947

**montalvo**  
 Better Web Control®