

VC-Series

Voltage Converters



Montalvo VC-Series Voltage Converters

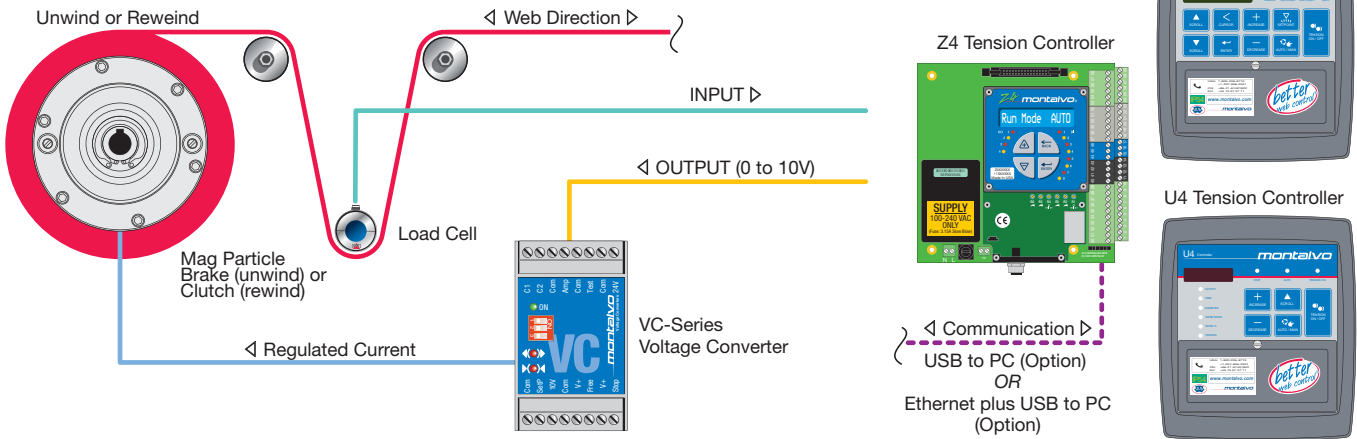
The VC is a universal current regulated power supply based on microcontroller technology. It is compatible with our new MP-Series Magnetic Particle Brakes and Clutches and all Montalvo tension controllers. Three models to chose from.

Features & Benefits

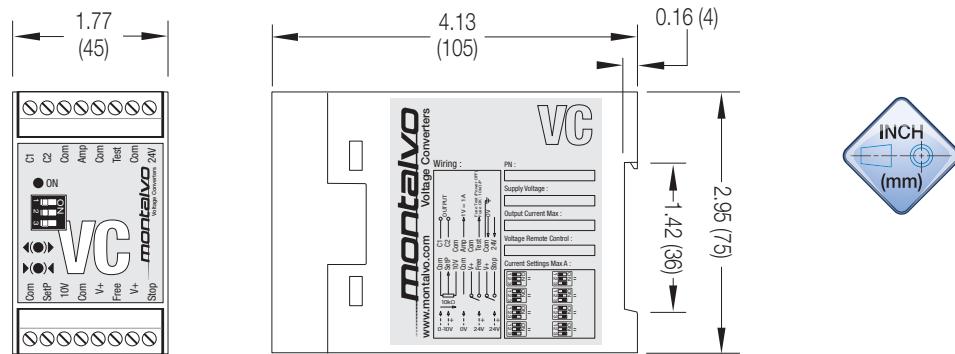
- ▶ Accurate current output control, independent of coil temperature
- ▶ High protection against transients, leading to greater reliability in industrial environments
- ▶ Freewheeling and Locked modes managed from external contacts or analog voltage
- ▶ Remote control via potentiometer or analog voltage
- ▶ LEDs indicate selected mode
- ▶ Real time current equivalent voltage output available
- ▶ Plug-in connectors
- ▶ Compact enclosure
- ▶ DIN rail mounting



How It Works



Dimensions



Specifications

Item	UM	VC04	VC2	VC4
Part Number#	-	10008064	10008013	10008056
Input Voltage	V	24 AC / DC	24 AC / DC	24→30 DC
Output Current Max.	A	0.400	2	4
Output Load	ohm	480 max.	4 to 20	4 to 20
Power Consumption Max.	VA	20	70	120
Remote Voltage Control	V	0 to 10 DC	0 to 10 DC	0 to 10 DC
Temperature (Ambient)	°F (°C)	+50 to +104 (+10 to +40)	+50 to +104 (+10 to +40)	+50 to +104 (+10 to +40)
Weight	lb (g)	0.38 (170)	0.38 (170)	0.38 (170)

207-856-2501 / 800-226-8710
 +86-21-52188010
 +49 75 57 27 11
 +49 (0)511 760 691 41



The Montalvo Corporation

EST. 1947 **montalvo**
 Better Web Control®

50 Hutcherson Drive, Gorham, Maine 04038 USA
 Fax: 1-800-644-5097 / 207-856-2509

1-800-226-8710 / info@montalvo.com / www.montalvo.com
 Technical details subject to change without notice. VCSeries-US-01 © Montalvo