

X-3400-HD-R

Rewind Tension Controller




Montalvo X-3400-HD-R Rewind Tension Controller



The X-3400-HD-R provides an optimized combination of analog and digital features for accurate, repeatable tension control on all web rewind processing machinery. The rewind controller works with either a pneumatic clutch or motor controller.

Features

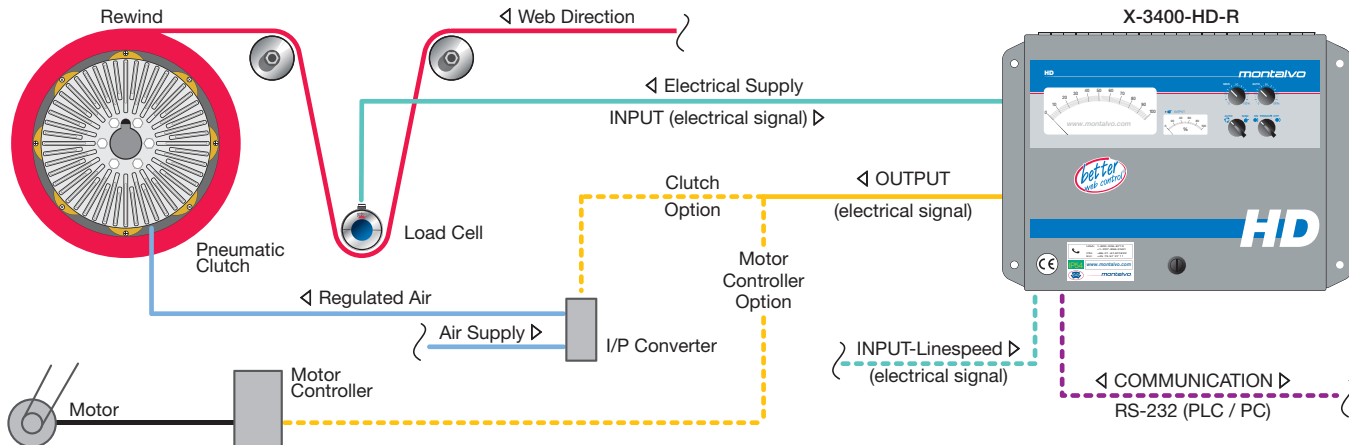
- ▶ **Rewind Zone Functionality**
 - Web Break Detection: stops machine should a break occur
 - Splice: maintains tension for more successful splices
- ▶ **Variable Wrap Angle Technology™**  - eliminates need to isolate tension sensing roll
- ▶ **Tension Indication** - a visible, quick reference of tension
- ▶ **Set It & Forget It Technology** - set-up parameters eliminate constant monitoring
- ▶ **Progressive PID Circuitry** responsive, stable control at full roll to core
- ▶ **Multiple Mounting Options** - a dust proof, water resistant heavy duty enclosure or standalone circuit board

CB64 - circuit board version of Montalvo's X-3400-HD-R

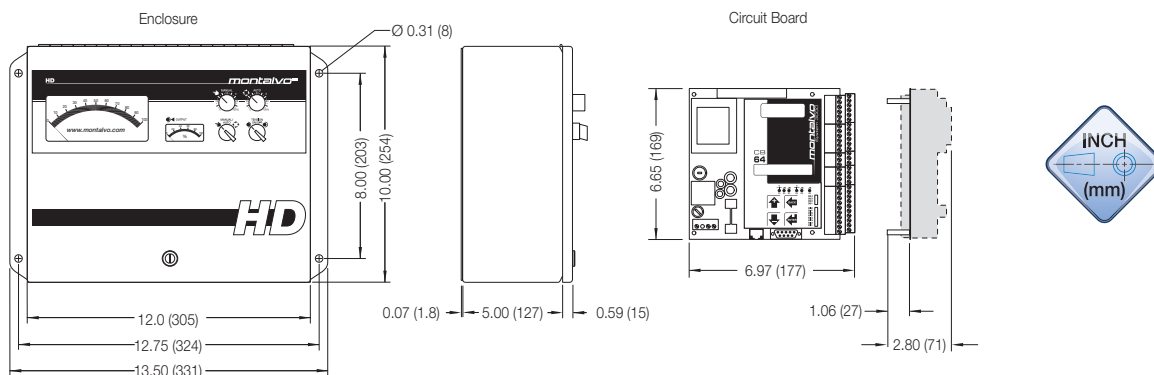


Montalvo
X-3400-HD-R
 Rewind Tension Controller

How it works



Dimensions



Specifications

Electrical

AC Input.....	115 or 230 VAC ±10% (IEC-60204-1) 48 to 62 Hz
Fuse Size (115 V).....	160 mA T (slow-blowing type)
Fuse Size (230 V).....	80 mA T (slow-blowing type)
Overvoltage Category.....	II (IEC 664)
Test Voltage.....	3.75 kV in 1 min. primary to secondary
Max Power Consumption.....	12 VA
Max External Input Fuse.....	10 A
Noise Immunity.....	EN 50082-2 industrial
Noise Emission.....	EN 50081-1
Load Cell Supply.....	±2.5 VDC ±5%
Load Cell Input.....	0 to ±250 mVDC
Load Cell Input (optional).....	0 to 10 VDC
Zero Range (tare).....	50% of load cell rating
Calibration Range.....	11 to 480
Regulator Outputs.....	0 to 10 VDC, Maximum load 5 mA
.....	4 to 20 mA / 0 to 20 mA, RL = 0 to 1000 Ω
Meter Outputs.....	0 to 100 μA
.....	0 to 10 VDC, Maximum load 5 mA
Analog Input Voltage.....	0 to 10 VDC, RI = 1000 k
Digital Input Voltage.....	15 to 30 VDC, RI = 10 k

Digital Output Voltage.....	24 VDC ± 15%, Maximum load 100 mA
.....	Total load 4 outputs 350 mA
Standards.....	Designed to meet UL 508 and EN 60204

Environmental

Temperature Range	Operating.....	32 to 122°F (0 to 50°C)
	Storage.....	14 to 176°F (-10 to 80°C)
Degree of Protection	Enclosure.....	IP54
	Circuit Board.....	P10

Functions

Auto Setpoint.....	Standard
Manual / Auto.....	Standard
Manual Setpoint.....	Standard
Tension On / Off.....	Standard
Taper.....	Standard
Low / High Scale.....	Optional
Splice.....	Optional
Variable Wrap Angle.....	Optional

Communications	RS-232.....	Standard
----------------	-------------	----------

The Montalvo Corporation

50 Hutcherson Drive, Gorham, Maine 04038 USA
 Fax: 1-800-644-5097 / 207-856-2509

1-800-226-8710 / info@montalvo.com / www.montalvo.com
 Technical details subject to change without notice. X-3400-HD-R-US-01 © Montalvo

