



montalvo

Standard Series

600, 800, 1000, 1400 & 1700 Brakes

Bulletin: 91BST617-1EM

Engineering Data: Horsepower

Montalvo Brakes are called upon to operate within a wide speed range, when used in converting applications. They do not carry "nominal" ratings.

Effective Cooling Speed

Effective Cooling Speed (n_{ECS}) is the speed at which a brake will dissipate a given heat horsepower load.

$$n_{ECS} = \frac{2 \times n_{min.} + n_{max.}}{3}$$

Test Conditions

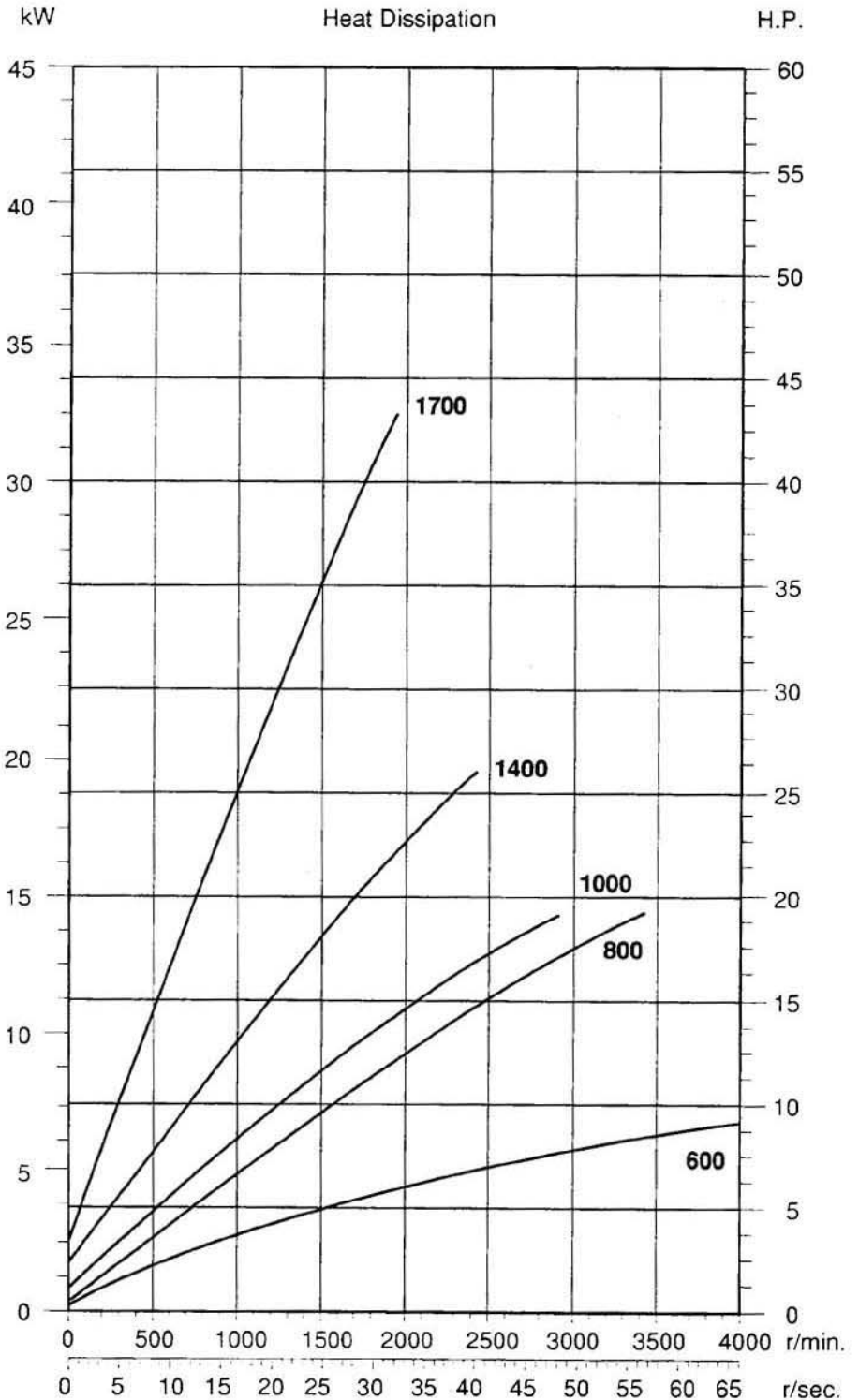
The curves were generated under the following conditions:

Ambient temp: 13° - 16° C
Humidity: 65 - 70%
Cast iron bulk temp: 177° C

The brakes were mounted as recommended in Installation Bulletin No. 89 IBSH-1EM. No guard or cover was used during testing.

Addition of machine guarding, fan (or blower) cooling, differences in ambient conditions, location, mounting method, etc. will affect heat (kW/H.P.) dissipation capacity of any air cooled brake. Careful consideration should be given to all conditions surrounding installation. Please consult Montalvo for help in application sizing.

This brochure, printed December 1991, supersedes all previous catalogs, data sheets and specification sheets.



© 1990 Montalvo

Engineering Data: Torque

All torque figures are based on continuous duty (slipping or tensioning).

Maximum torque figures are computed at 5.2 bar with all cylinders in operation. Minimum torque figures are computed at 0.07 bar with one cylinder in operation.

Friction Material coefficients are nominal .

Rated Torque may vary depending on operating temperature.

A copy of Montalvo Quotation Form No. 89ASQ-1EIM should be submitted to Montalvo with your order or prior to ordering.

* Ventilated guards or covers over brakes are required in most areas.

Specifications are subject to change without notice.

600	0.10 Coef. Pads		0.30 Coef. Pads		0.45 Coef. Pads		
	Max	Min	Max	Min	Max	Min	
Model	Nm	kg.m	Nm	kg.m	Nm	kg.m	
601	19	1.9	56	5.8	84	8.6	1.1
602	37	3.8	113	11.5	169	17.3	Nm
603	56	5.8	169	17.3	253	25.9	0.114
604	74	7.6	225	23.0	338	34.5	kg.m

800	0.10 Coef. Pads		0.30 Coef. Pads		0.45 Coef. Pads		
	Max	Min	Max	Min	Max	Min	
Model	Nm	kg.m	Nm	kg.m	Nm	kg.m	
801	26	2.6	78	7.8	117	11.9	1.6
802	52	5.2	156	15.6	234	23.8	Nm
803	78	7.8	234	23.4	351	35.7	
804	104	10.4	312	31.2	468	47.6	0.159
805	130	13.0	390	39.0	585	59.5	kg.m
806	156	15.6	468	56.8	702	71.4	

1000	0.10 Coef. Pads		0.30 Coef. Pads		0.45 Coef. Pads		
	Max	Min	Max	Min	Max	Min	
Model	Nm	kg.m	Nm	kg.m	Nm	kg.m	
1001	31	3.1	93	9.4	139	14.0	
1002	62	6.3	185	18.9	278	28.3	1.9
1003	93	9.4	278	28.3	417	42.4	Nm
1004	123	12.5	371	37.7	556	56.6	
1005	154	15.7	463	47.2	695	70.7	0.186
1006	186	18.9	556	56.6	834	84.9	kg.m
1007	216	22.0	649	66.0	973	99.0	
1008	248	25.0	741	75.4	1112	113.2	

1400	0.10 Coef. Pads		0.30 Coef. Pads		0.45 Coef. Pads		
	Max	Min	Max	Min	Max	Min	
Model	Nm	kg.m	Nm	kg.m	Nm	kg.m	
1401	43	4.4	130	13.2	195	19.8	
1402	86	8.8	260	26.5	390	39.7	2.6
1403	130	13.2	390	39.7	585	59.6	Nm
1404	173	17.6	520	52.9	780	79.4	
1405	216	22.0	650	66.1	975	99.2	0.246
1406	260	26.5	780	79.4	1170	119.0	kg.m
1407	303	30.8	910	92.6	1365	138.9	
1408	346	35.2	1040	105.8	1559	158.7	
1409	390	39.7	1170	119.0	1754	178.5	
1410	433	44.0	1300	132.3	1949	198.4	

1700	0.10 Coef. Pads		0.30 Coef. Pads		0.45 Coef. Pads		
	Max	Min	Max	Min	Max	Min	
Model	Nm	kg.m	Nm	kg.m	Nm	kg.m	
1701	52	5.0	157	16.0	236	24.0	
1702	105	11.0	315	32.0	472	48.0	3.2
1703	157	16.0	472	48.0	709	72.0	Nm
1704	210	21.0	630	64.0	945	96.0	
1705	262	27.0	788	80.0	1181	120.0	0.320
1706	315	32.0	945	96.0	1418	144.0	kg.m
1707	367	37.0	1102	112.0	1653	168.0	
1708	420	43.0	1260	128.0	1890	192.0	
1709	472	48.0	1418	144.0	2126	216.0	
1710	525	53.0	1574	160.0	2362	240.0	

Montalvo's continuing commitment to product improvements make prices and specifications subject to change without notice.

This drawing and the subject matter shown thereby are the exclusive property of The Montalvo Corporation. Reproduction of the drawing in whole or in part and the use of any of the information imparted thereby are strictly prohibited.

All dimensions are expressed in millimeters. Do not scale.

When installing a Montalvo Brake, careful consideration should be given to all conditions surrounding installation. Please consult Montalvo for help in application sizing.

* Open guarding (brake cover) is required in order to allow maximum cooling. Consult Montalvo for dimensional information on brake covers.

It is the customer's responsibility to provide ventilated guards or covers over brakes and clutches in order to comply with safety regulations.

This brochure, printed in December, 1991, supersedes all previous catalogs, data sheets and specification sheets.

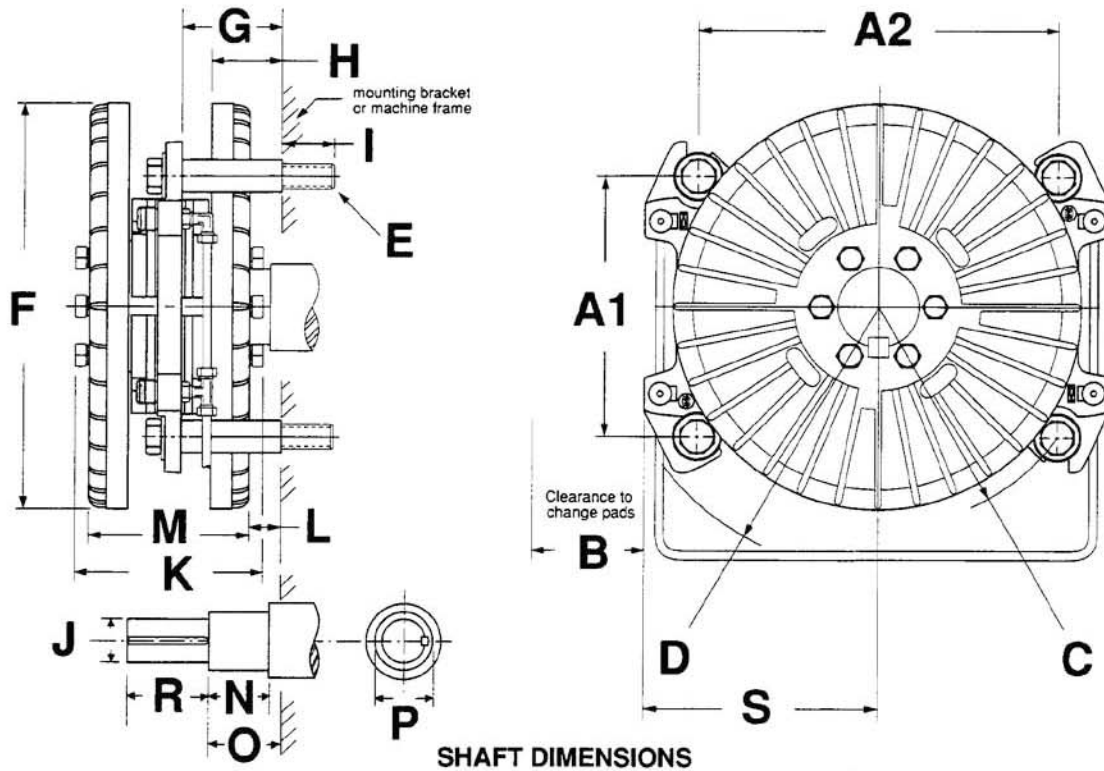
© 1990 Montalvo

montalvo 

No. 91BST617-1EM

Page 2 of 4

Standard Brakes without Adapters: 601 - 604, 801 - 804 & 1001 - 1004



Important Note: The brake shown in the drawing above is Model 1004. It is used only as an illustration of brakes which are mounted without the use of adapters and is not intended to represent the appearance of all brakes. The appearance, dimensions and particularly bolt patterns of the various models vary substantially. **Contact Montalvo or your local Montalvo Representative to obtain a dimensional sketch of the brake you require.**

Series	A1	A2	B	C	D	E	F	G
601 - 604	218	183	130	142	191	M16 (M20)	ø 237	100
801 - 804	218	254	130	167	216	M16 (M20)	ø 299	100
1001 - 1004	218	301	130	185	229	M16 (M20)	ø 340	100

Series	H	I	J max	J min.	K	L	M	N
601 - 604	76	28	ø 45	ø 30	129	53	111	30
801 - 804	76	28	ø 65	ø 30	143	52	114	34
1001 - 1004	76	28	ø 70	ø 40	123	48	123	41

Series	O	P max.	R	S
601 - 604	73	ø 45	72	140
801 - 804	73	ø 68	72	175
1001 - 1004	73	ø 71	72	219

Montalvo's continuing commitment to product improvements make prices and specifications subject to change without notice.

This drawing and the subject matter shown thereby are the exclusive property of The Montalvo Corporation. Reproduction of the drawing in whole or in part and the use of any of the information imparted thereby are strictly prohibited.

All dimensions are expressed in millimeters. Do not scale.

When installing a Montalvo Brake, careful consideration should be given to all conditions surrounding installation. Please consult Montalvo for help in application sizing.

* Open guarding (brake cover) is required in order to allow maximum cooling. Consult Montalvo for dimensional information on brake covers.

It is the customer's responsibility to provide ventilated guards or covers over brakes and clutches in order to comply with safety regulations.

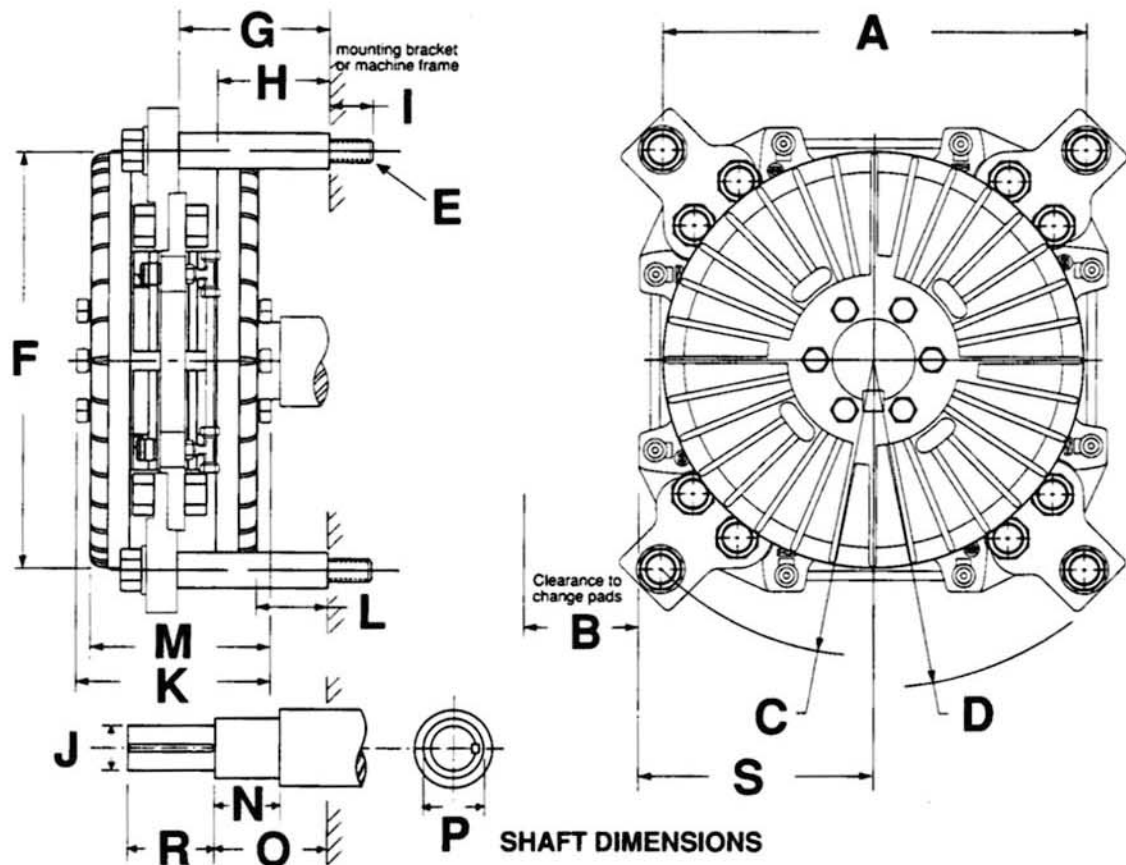
This brochure, printed in December, 1991, supersedes all previous catalogs, data sheets and specification sheets.
© 1990 Montalvo

montalvo 

No. 91BST617-1EM

Page 3 of 4

Standard Brakes with Adapters: 805 & 806, 1005 - 1008. All 1400 & 1700.



Important Note: The brake shown in the drawing above is Model 1008. It is used only as an illustration of brakes which are mounted with the use of adapters and is not intended to represent the appearance of all brakes. The appearance, dimensions and particularly bolt patterns of the various models vary substantially. **Contact Montalvo or your local Montalvo Representative to obtain a dimensional sketch of the brake you require.**

Series	A	B	C	D	E	F	G	H
805 / 806	333	130	292	229	M20	ø 299	100	70
1005 - 1008	341	130	241	267	M20	ø 340	100	70
1400	336	130	286	318	M20	ø 438	100	70
1700	345	130	294	381	M30	ø 530	130	100

Series	I	J max	J min.	K	L	M	N	O
805 / 806	28	ø 60	ø 30	129	46	114	34	67
1005 - 1008	28	ø 70	ø 40	143	41	123	41	67
1400	28	ø 110	ø 50	147	39	130	48	67
1700	43	ø 130	ø 65	156	65	136	47	97

Series	P max.	R	S
805 / 806	68	72	175
1005 - 1008	71	72	219
1400	139	72	252
1700	139	72	300

Montalvo's continuing commitment to product improvements make prices and specifications subject to change without notice.

This drawing and the subject matter shown thereby are the exclusive property of The Montalvo Corporation. Reproduction of the drawing in whole or in part and the use of any of the information imparted thereby are strictly prohibited.

All dimensions are expressed in millimeters. Do not scale.

When installing a Montalvo Brake, careful consideration should be given to all conditions surrounding installation. Please consult Montalvo for help in application sizing.

* Open guarding (brake cover) is required in order to allow maximum cooling. Consult Montalvo for dimensional information on brake covers.

It is the customer's responsibility to provide ventilated guards or covers over brakes and clutches in order to comply with safety regulations.

This brochure, printed in December, 1991, supersedes all previous catalogs, data sheets and specification sheets.

© 1990 Montalvo

montalvo 

No. 91BST617-1EM

Page 4 of 4