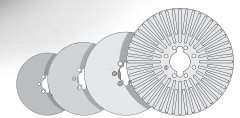


V-Series

High Performance Single Disc Brakes



250 300 400 500

V-Series High Performance Single Disc Brakes

Montalvo's V-Series brakes feature industry-standard high heat dissipation friction discs combined with all-new patented "no-tools" friction modules for quick and easy pad changes. From flexible packaging, to paper, to corrugated, the V250, V300, V400 and V500 sizes offer the application range necessary for virtually any web process. Available in a variety of configurations, these brakes are easy to install. They are ideal for installing on new equipment as well as for retrofitting existing unwind stands. For extra heat capacity, all V-Series brakes are available with an integral cover and cooling fan.



V500 with low profile cover on an unwind stand.

Features

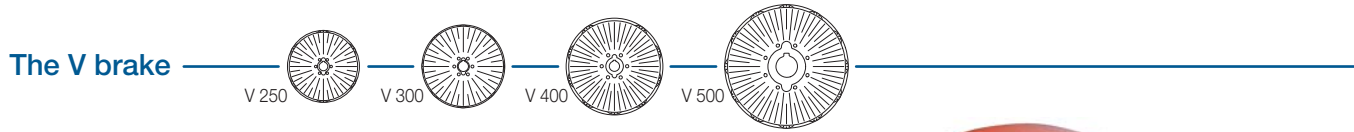
- ▶ Integral fan/cover
- ▶ High thermal capacity
- ▶ Compact modular design
- ▶ Wide torque & sensitivity range
- ▶ Patented NO TOOLS easy friction pad maintenance



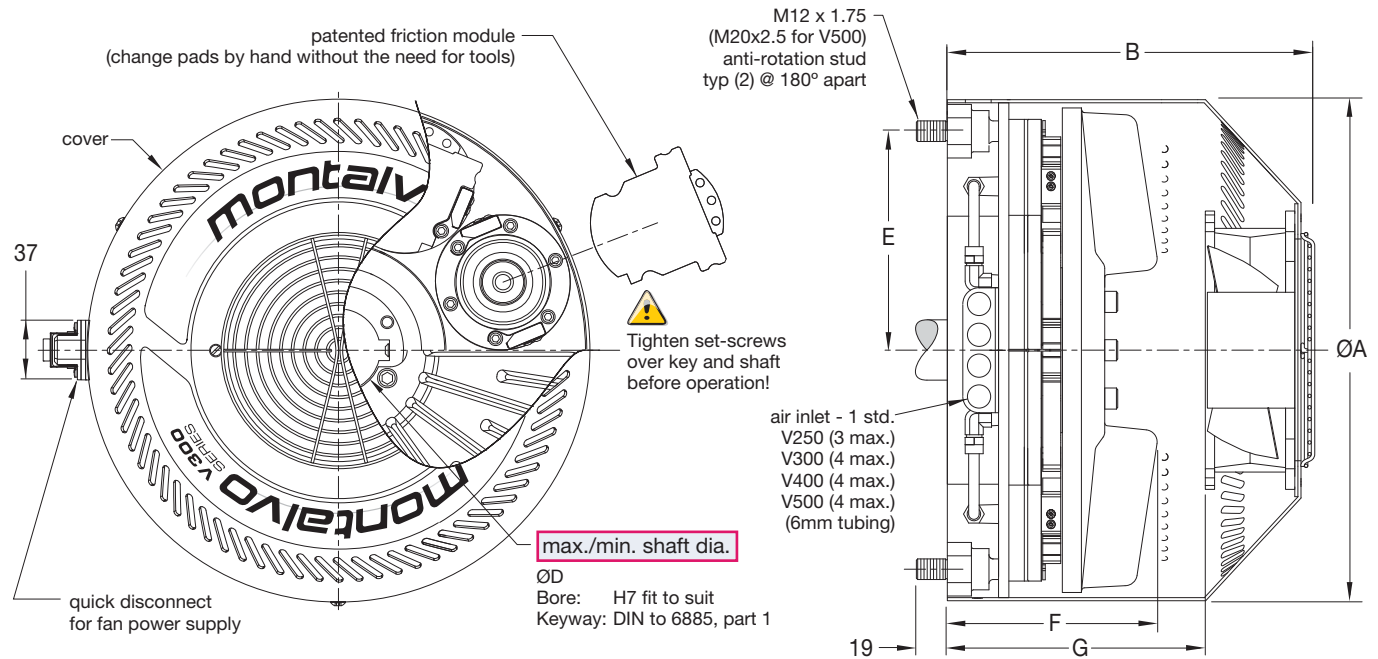
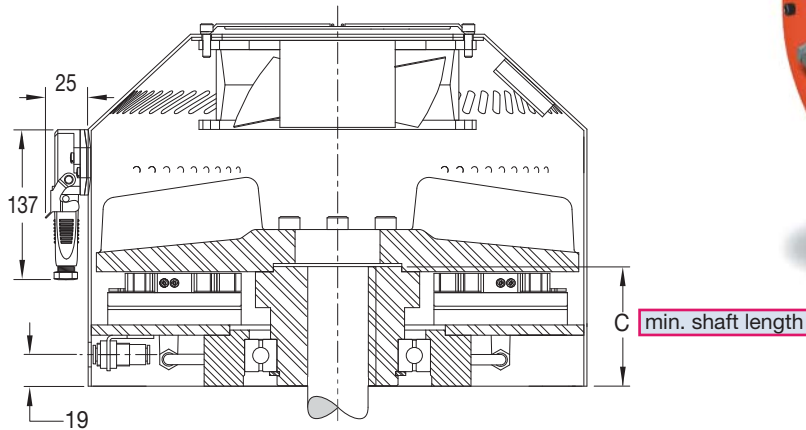
V250 with integral fan cover ready to install.

V-Series

High Performance Single Disc Brakes



With Integral Fan Cover

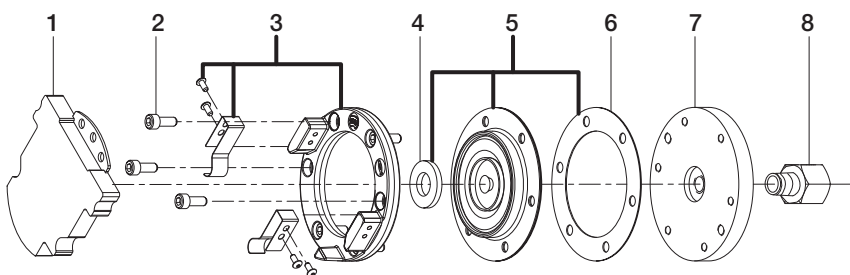


Size	A	B	C	D*(max.)	D*(min.)	E	F	G
V250	273	224	74	40	22	95	121	159
V300	309	224	75	50	32	135	129	159
V400	359	224	77	65	35	162	135	159
V500	461	242	80	100	50	208	147	176

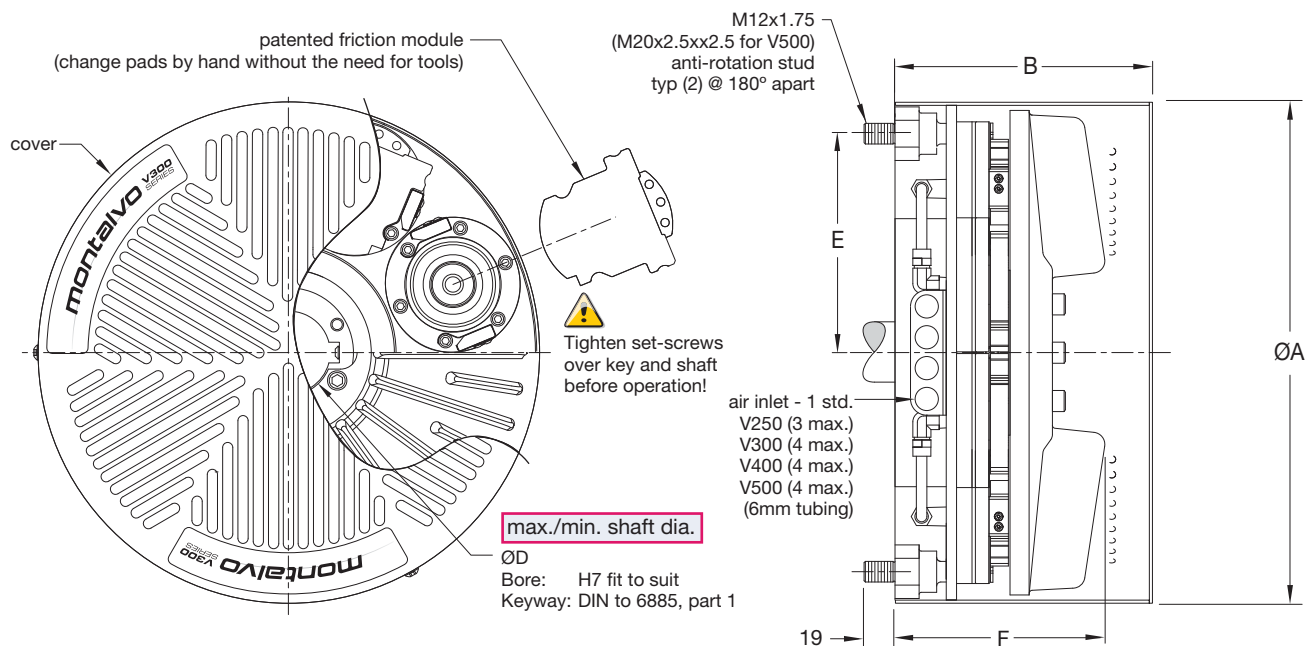
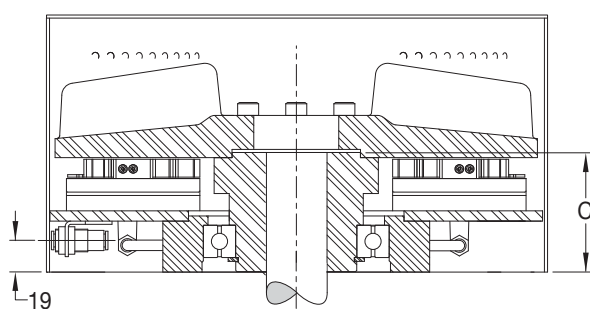
FAN Power Supply *standard* - 115V 50/60 Hz (40 W)
optional - 230V 50/60 Hz (45-39 W)

Friction Module

Description	Ordering Part #
1 V Friction Pad (several types available).....	call
2 SHCS M5x12 DIN912	18000489
3 V Torque Collar Kit	27000018
4 Standard Magnet.....	10000266
5 V Piston Kit (includes magnet & gasket)	27000430
6 Standard Gasket	10000270
7 V Base Plate.....	27000010
8 NPT male to female adapter (V400-500 only).....	18000305
Complete Friction Module	
V250 or V300	27000041
V400 or 500	27000056



With Low Profile Cover



Size	A	B	C	D*(max.)	D*(min.)	E	F
V250	273	160	74	40	22	95	121
V300	309	160	75	50	32	135	129
V400	359	160	77	65	35	162	135
V500	461	178	80	100	50	208	147

V-Series

High Performance Single Disc Brakes

Torque†

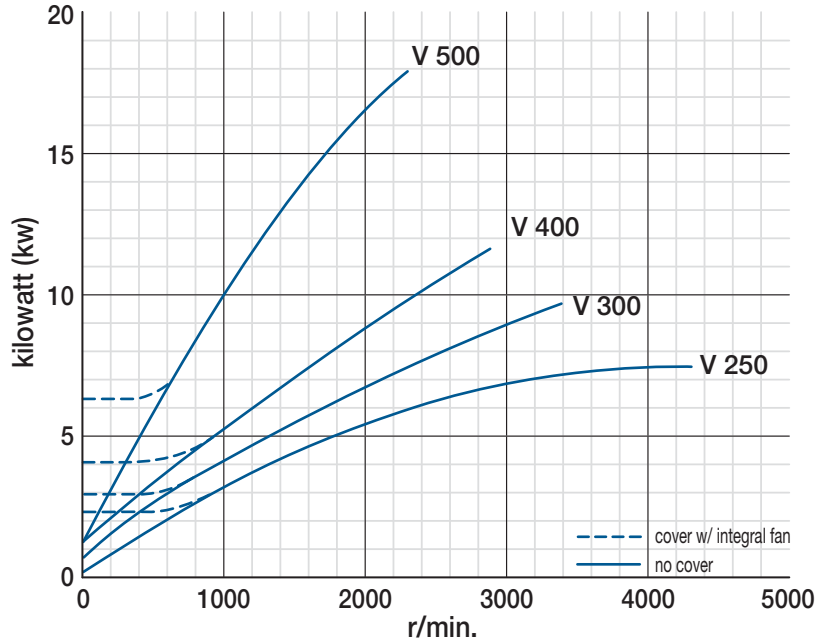
Max. - Min. (Nm)

(Max. @ 5.2 bar) - (Min. @ 0.07 bar x1 cylinder)
 0.10 Fric. Coef. 0.30 Fric. Coef. 0.45 Fric. Coef.

V 250					
V251	11	33	54	0.1	0.7
V252	22	66	108		
V253	33	99	162		
V254	44	133	216		
V255	55	166	270		
V256	66	199	324		
V 300					
V301	13	40	66	0.2	0.8
V302	26	79	132		
V303	40	119	198		
V304	53	159	264		
V305	66	198	329		
V306	79	238	396		
V307	93	279	462		
V308	106	318	527		
V 400					
V401	17	50	77	0.2	1.0
V402	33	99	154		
V403	50	149	230		
V404	66	198	307		
V405	83	248	384		
V406	99	297	461		
V407	116	347	538		
V408	132	396	615		
V409	149	446	691		
V410	165	495	768		
V 500					
V501	22	67	101	0.3	1.4
V502	45	134	201		
V503	67	201	302		
V504	89	268	403		
V505	112	336	503		
V506	134	403	604		
V507	157	470	705		
V508	179	537	805		
V509	201	604	906		
V510	224	671	1007		
V511	246	738	1107		
V512	268	805	1208		

† Friction coefficients are nominal. Rated torque may vary depending on operating temperature.

Effective Cooling Speed*



*Effective Cooling Speed (nECS)
 The speed at which a brake will dissipate a given heat horsepower.

$$nECS = \frac{2 \times n \text{ min.} + n \text{ max.}}{3}$$

Testing

Brakes were mounted as recommended in *Installation Instructions*. No guard or cover was used. Addition of machine guarding, fan or blower cooling, differences in ambient conditions, location, mounting method, etc. will affect heat dissipation capacity of any air cooled brake. Careful consideration should be given to all conditions surrounding installation. Consult Montalvo for help in application sizing.

Conditions: Ambient temp. 13 -16°C
 Cast Iron Bulk 177°C
 Humidity 65 - 70%

Size	Max. RPM* [min ⁻¹]	Moment of Inertia [kgm ²]	Total Weight [kg]
V250	4300	0.09	17
V300	3400	0.23	27
V400	2900	0.44	45
V500	2300	1.50	80

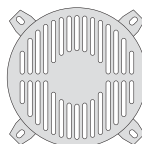
* Do not use to calculate kilowatt.

Note:

Montalvo Brakes are called upon to operate within a wide speed range when used in converting applications They do not carry "nominal" ratings.

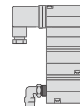
Related Montalvo Products

Safety Cover



Rugged enclosure protects operators from brake moving parts and high temps.

I/P Converter



Convert electrical input from control to regulated air output to brake.

Range Expander



Connection to friction modules to produce multiple torque ranges.