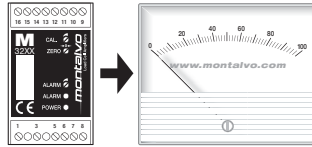


Montalvo i4-M



Tension Indicators

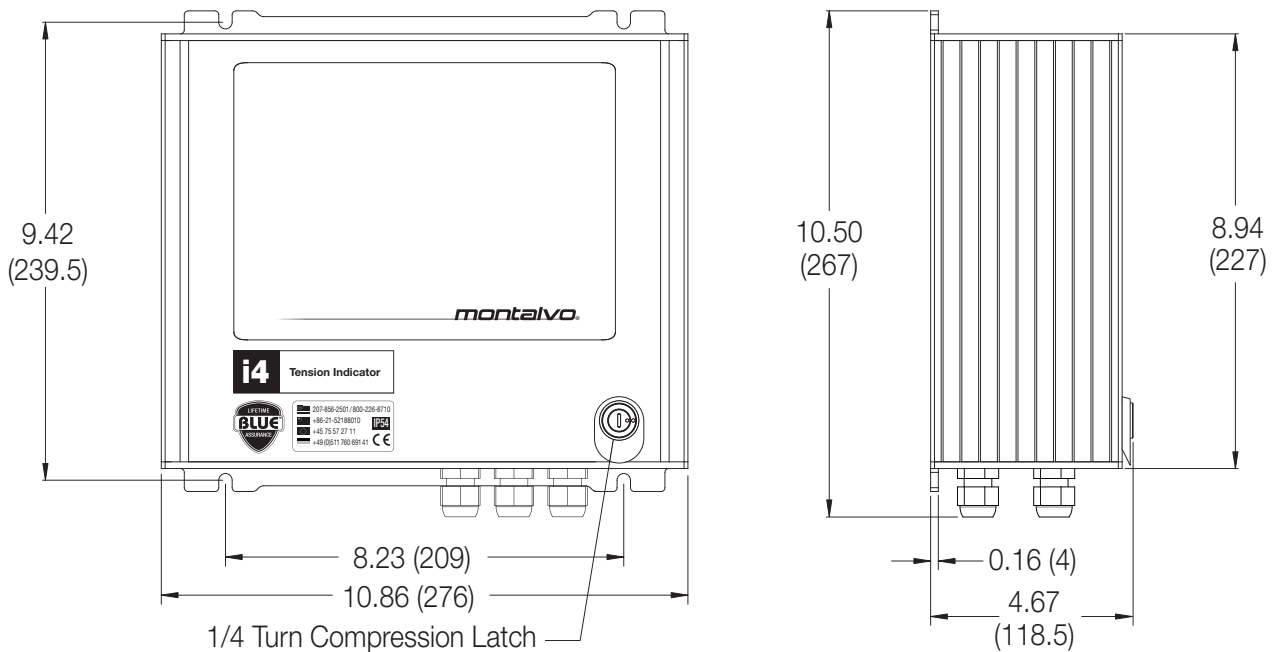
Featuring Montalvo M32 Series Analog Amplifier and Analog Display

- ✓ 1 or 2 Zone Monitoring
- ✓ Analog Amplification (M32)
- ✓ Analog Display
- ✓ DC or AC Powered



Always know the exact tension you are running! Montalvo's i4-M Tension Indicator is available in 1 or 2 tension zone configurations using precision analog displays with custom scales available. The indicator can be factory configured for either DC or AC supply voltage. Each zone's load cell(s) signal is amplified by a separate Montalvo M32 Analog Amplifier. The i4 assembly is enclosed in a rugged aluminum housing with a convenient, lockable access door. Plenty of through wall cable glands provide easy, secure wiring.

Dimensions

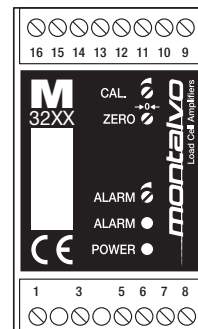


Montalvo i4-M

Tension Indicators

Specifications

Amplifier - Montalvo M32 Analog	
Supply Voltage Options: DC	24V
or AC	Selectable 115 or 230V
Overvoltage Category	III (IEC 66-4)
Load Cell Input Range	±50mV / ±250 mVDC
Load Cell Supply	±2.5 VDC ±1%
Gain Adjustment	11 to 510
Maximum Power Consumption (each M32)	14VA
Alarm Output Voltage	24 VDC ±15%
Accuracy	Better than 1%

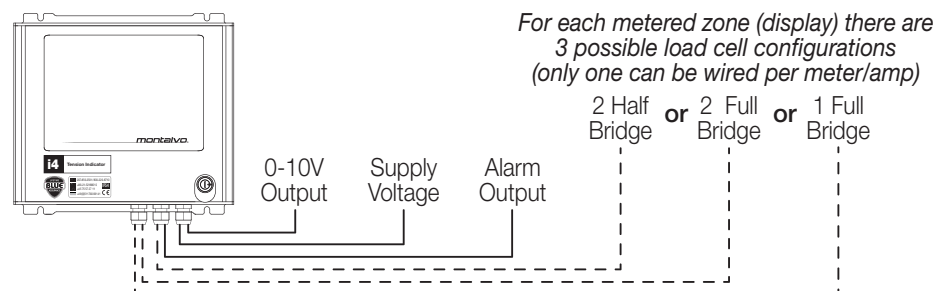


Display - Analog	
Scale - Standard	0-100
Scale - Option (no charge)	Per customer request
Accuracy	±2% full scale value
Lens	Clear Acrylic
Movement	Spring loaded pivot and jewel



Available Configurations	Part Number
1 Zone - DC	11001271
1 Zone - AC	11001273
2 Zone - DC	11001272
2 Zone - AC	11001274

Connections



Documentation

[M32 Amplifier Manual](#)

Installation Hotlines

	207-856-2501 / 800-226-8710
	+86-21-52188010
	+45 75 57 27 11
	+49 (0)511 760 691 41

1-800-226-8710 / info@montalvo.com / www.montalvo.com

Technical details subject to change without notice. i4MA-US-03 © Montalvo



EST. 1947

montalvo