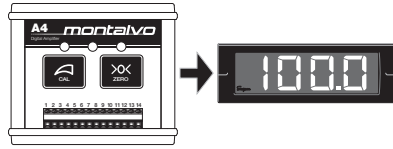


Montalvo

i4-A



Tension Indicators

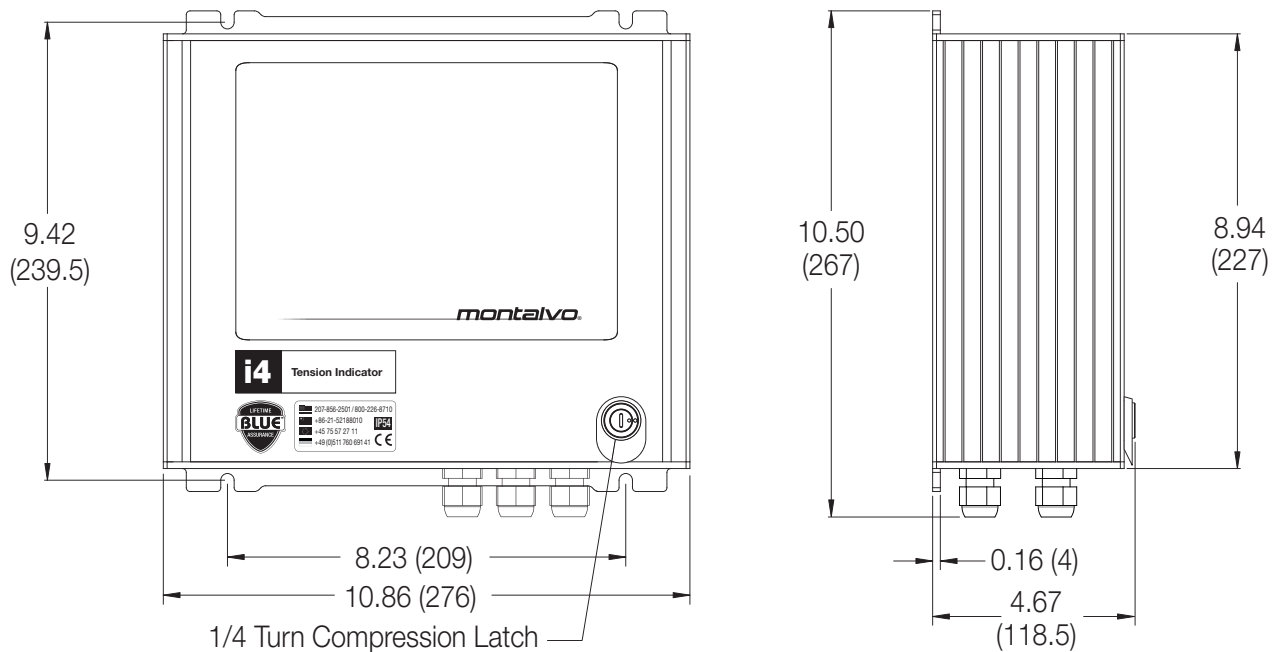
Featuring Montalvo A4 Digital Amplifier and Digital Display

- ✓ 1, 2, 3 or 4 Zone Monitoring
- ✓ Digital Amplification (A4)
- ✓ Digital Display
- ✓ AC or DC Powered



Montalvo's i4-A Tension Indicator can monitor 1 to 4 discrete tension zones using high visibility digital displays with red LEDs. The indicator can be factory configured for either DC or AC supply voltage. Each zone's load cell(s) signal is amplified by a separate Montalvo A4 Digital Amplifier. The i4 assembly is enclosed in a rugged aluminum housing with a convenient access door. Plenty of through wall cable glands provide easy, secure wiring.

Dimensions



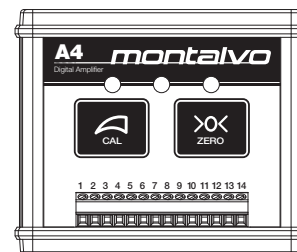
Montalvo i4-A

Tension Indicators

Specifications

Amplifier - Montalvo A4 Digital

| | |
|-------------------------------------|---------------------------------------|
| Supply Voltage - (standard) | 24VDC |
| Supply Voltage - (optional) | 120VAC |
| Overvoltage Category | III (IEC 66-4) |
| Load Cell Input Range | $\pm 50\text{mV} / \pm 250\text{ mV}$ |
| Load Cell Supply | 5 VDC $\pm 1\%$ |
| Gain Adjustment | 11 to 510 |
| Maximum Power Consumption (each A4) | 14VA |
| Connector (each A4) | 14 pin / screw |
| Communications Connector (each A4) | USB Type B |



Display - Digital

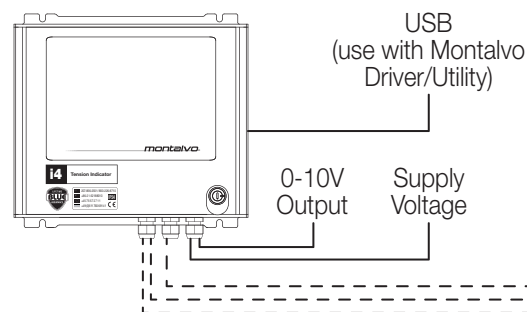
| | |
|-------------------------|---|
| Accuracy @ 25°C | $\pm(0.1\% \text{ of reading} + 1 \text{ count})$ |
| Temperature Coefficient | 0.2% of input 0.2 digit) /C |
| Temperature-Operating | +14 to +122°F (-10 to +50°C) |
| Temperature-Storage | +14 to +140°F (-10 to +60°C) |
| Humidity | <95% Non-Condensing |



Available Configurations

| Available Configurations | Part Number |
|--------------------------|-------------|
| 1 Zone - DC | 11001238 |
| 1 Zone - AC | 11001239 |
| 2 Zone - DC | 11001236 |
| 2 Zone - AC | 11001237 |
| 3 Zone - DC | 11001233 |
| 3 Zone - AC | 11001235 |
| 4 Zone - DC | 11001219 |
| 4 Zone - AC | 11001234 |

Connections



For each metered zone (display) there are 3 possible load cell configurations (only one can be wired per meter/amp)

2 Half Bridge or 2 Full Bridge or 1 Full Bridge

Documentation

A4 Manual
A4 Driver / Utility Manual

Installation Hotlines

| | |
|--|-----------------------------|
| | 207-856-2501 / 800-226-8710 |
| | +86-21-52188010 |
| | +45 75 57 27 11 |
| | +49 (0)511 760 691 41 |

1-800-226-8710 / info@montalvo.com / www.montalvo.com

Technical details subject to change without notice. i4AD-US-01 © Montalvo



EST. 1947

montalvo