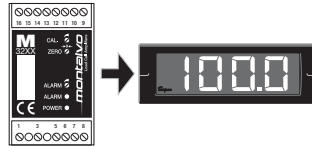


Montalvo i4-M



Tension Indicators

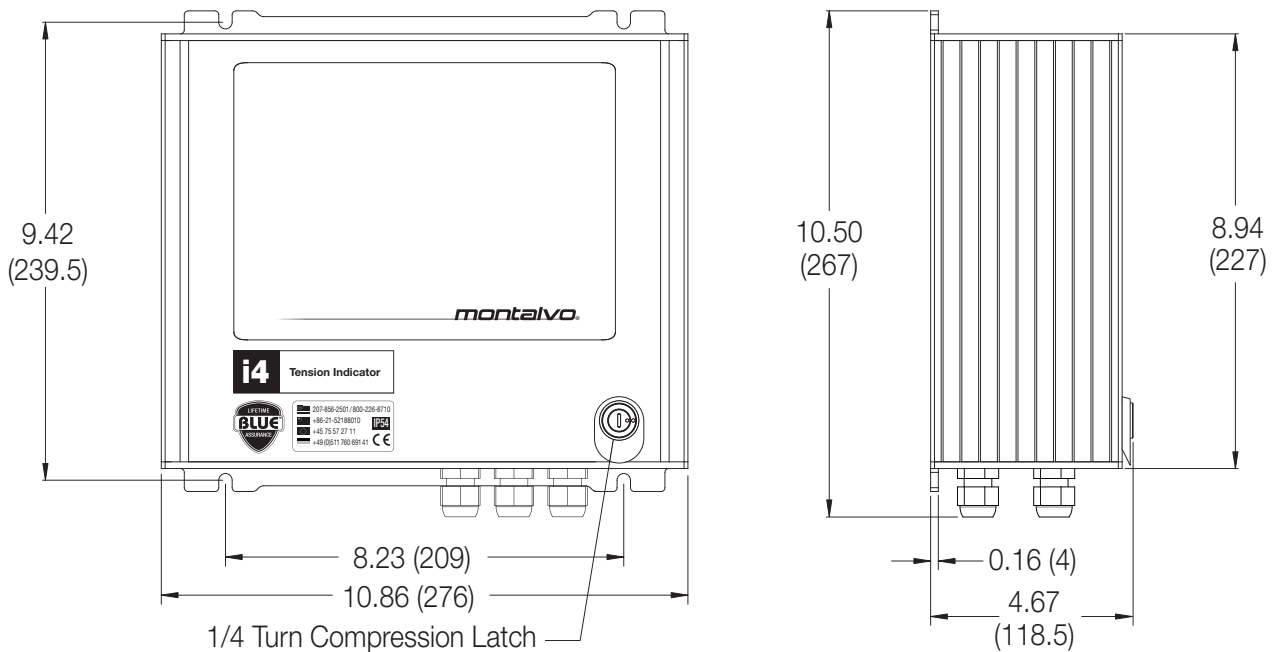
Featuring Montalvo M32 Series Analog Amplifier and Digital Display

- ✓ 1 or 2 Zone Monitoring
- ✓ Analog Amplification (M32)
- ✓ Digital Display
- ✓ AC or DC Powered



Montalvo's i4-M Tension Indicator can monitor 1 or 2 discrete tension zones using highly visible digital displays with red LCDs. The indicator can be factory configured for either DC or AC supply voltage. Each zone's load cell(s) signal is amplified by a separate Montalvo M32 Analog Amplifier. The i4 assembly is enclosed in a rugged aluminum housing with a convenient access door. Plenty of through wall cable glands provide easy, secure wiring.

Dimensions

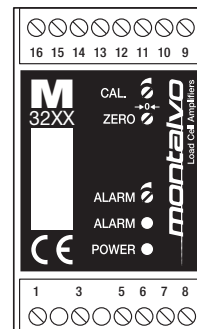


Montalvo i4-M

Tension Indicators

Specifications

Amplifier - Montalvo M32 Analog	
Supply Voltage Options: DC	24V
or AC	Selectable 115 or 230V
Overvoltage Category	III (IEC 66-4)
Load Cell Input Range	±50mV / ±250 mVDC
Load Cell Supply	±2.5 VDC ±1%
Gain Adjustment	11 to 510
Maximum Power Consumption (each M32)	14VA
Alarm Output Voltage	24 VDC ±15%
Accuracy	Better than 1%

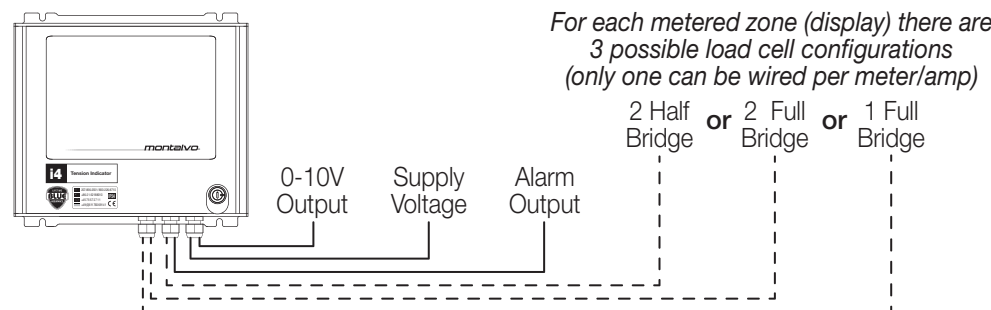


Display - Digital	
Accuracy @ 25°C	±(0.1% of reading + 1 count)
Temperature Coefficient	0.2% of input 0.2 digit) /C
Temperature-Operating	+14 to +122°F (-10 to +50°C)
Temperature-Storage	+14 to +140°F (-10 to +60°C)
Humidity	<95% Non-Condensing



Available Configurations	Part Number
1 Zone - DC	11001279
1 Zone - AC	11001280
2 Zone - DC	11001281
2 Zone - AC	11001282

Connections



Documentation

[M32 Amplifier Manual](#)

Installation Hotlines

	207-856-2501 / 800-226-8710
	+86-21-52188010
	+45 75 57 27 11
	+49 (0)511 760 691 41

1-800-226-8710 / info@montalvo.com / www.montalvo.com

Technical details subject to change without notice. i4MD-US-01 © Montalvo



EST. 1947 **montalvo**