

MDP-6

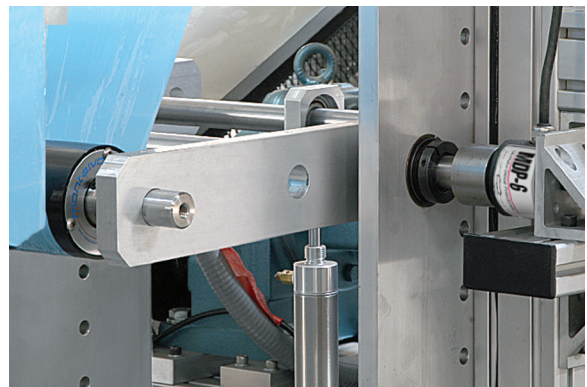
Dancer Potentiometer

**Montalvo MDP-6 Dancer Potentiometer**

Montalvo's Dancer Potentiometer reacts to the slightest changes in dancer arm position, providing a continuous signal to a Dancer Tension Controller such as Montalvo's ZEUS or Z4. The analog feedback is fast, precise & accurate. The MDP-6 is built for minimal wear and extended service life.

Features & Benefits

- ▶ Works with both the ZEUS or Z4 Dancer controllers
- ▶ Uses industrial standard M12 4 pin connector

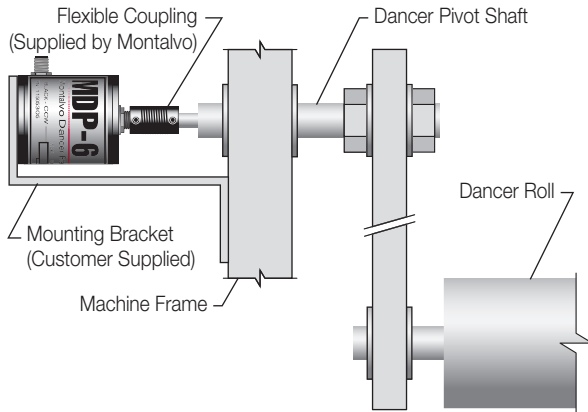


MDP-6 installed on a dancer based unwind stand.

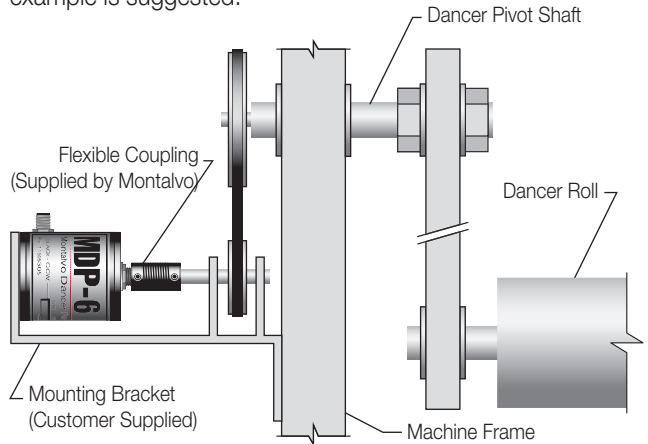
	207-856-2501 / 800-226-8710
	+86-21-52188010
	+45 75 57 27 11
	+49 (0)511 760 691 41

Mounting

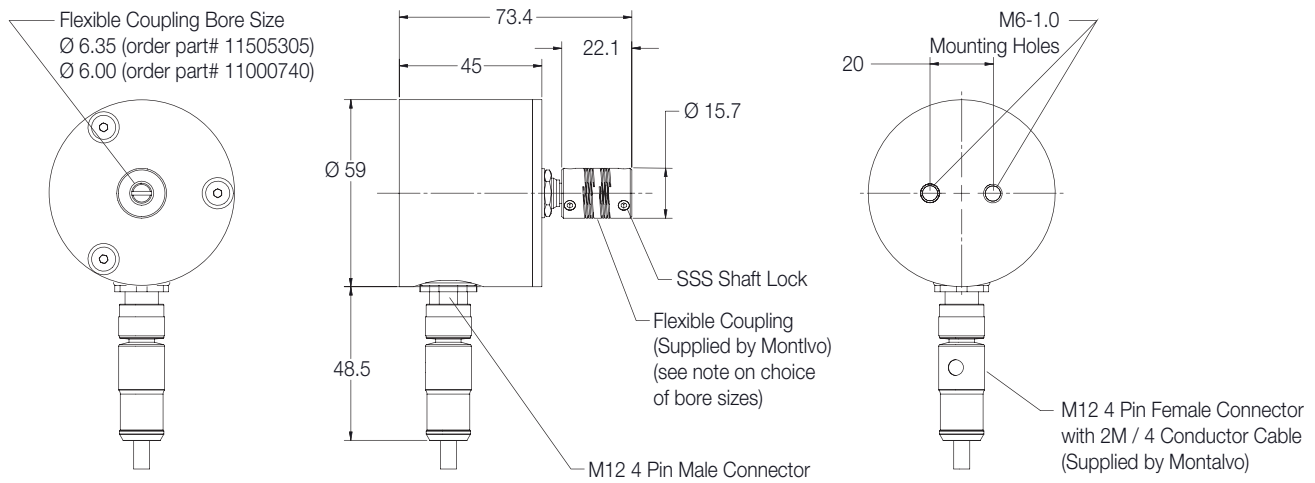
The Montalvo MDP-6 is supplied with a flexible shaft coupling. Mounting/connection should be made similar to example below:



IMPORTANT! Do not apply a torsion load to the MDP-6 shaft. If a timing belt is used, the following mounting / connection example is suggested:



Dimensions (mm)



Specifications

MDP-6 with 6.35 coupling bore - part#	11505305
MDP-6 with 6.00 coupling bore - part#	11000740
Supply Voltage	± 2.5 VDC
Resistance	10k Ω ±10%
Linearity	±1%
Linearity Tolerance	0.1%
Power Rating @ Max. 70°C	1.5W
Temperature Range	-65 to +125
Effective Electrical Angle	340° ±3%
Mechanical Angle	360° Cont.
Connector	Male 4 pin M12x1

