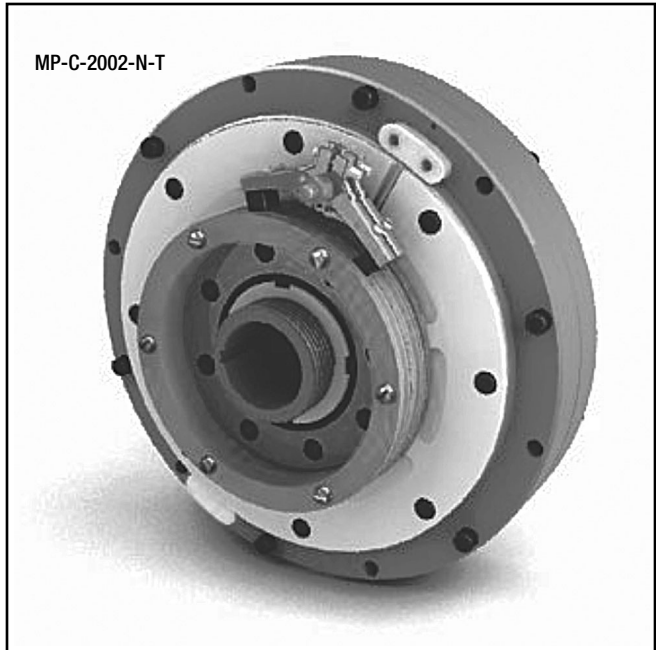


# Montalvo MP-Series

## Magnetic Particle Clutches

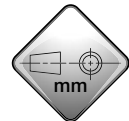
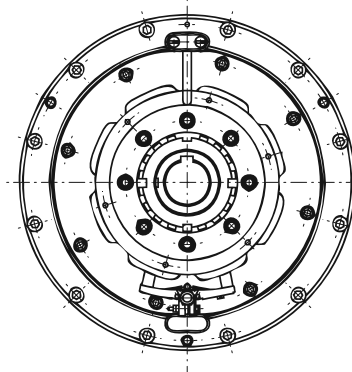
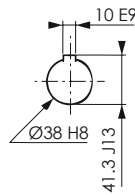
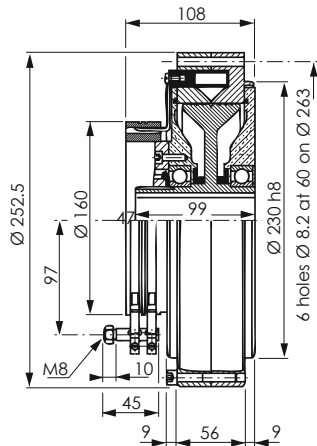
Models: **2002**  
MP-C-2002-N-T / MP-C-2002-R-T

- Versatile Thru-Bore design
- Torque range to **1770 in-lb (200 Nm)**
- Radial cooling option
- Easily integrates into other systems
- Easy setup and operation

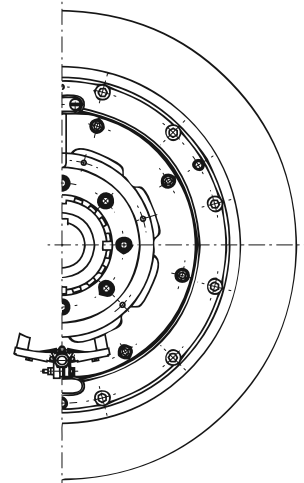
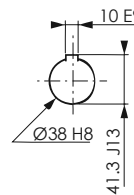
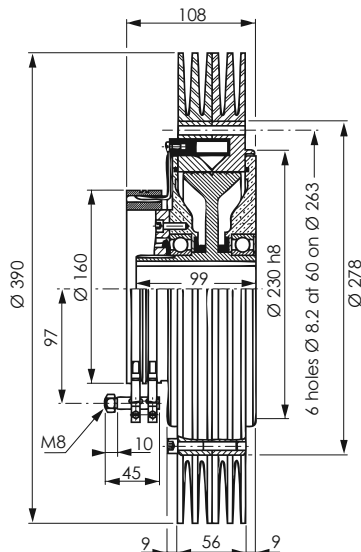


Montalvo's MP-Series Clutches are a key component in high quality rewind applications. MP Clutches apply force (torque) to rewind webs in either closed or open-loop tension control systems. The **MP-C-2002-N-T** features a compact size. The **MP-C-2002-R-T** offers greater heat dissipation thru passive radial cooling. MP-Series Clutches utilize the **VC2 Voltage Converter**, a microcontroller regulated current power supply.

**MP-C-2002-N-T**

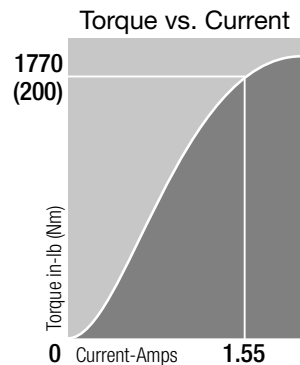
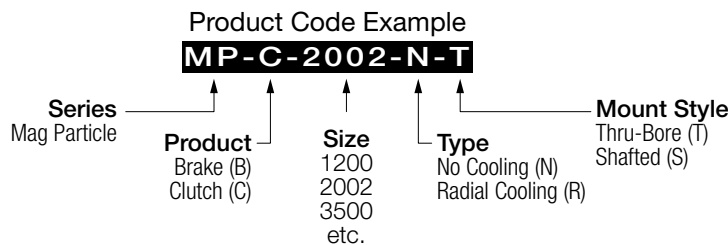


**MP-C-2002-R-T**

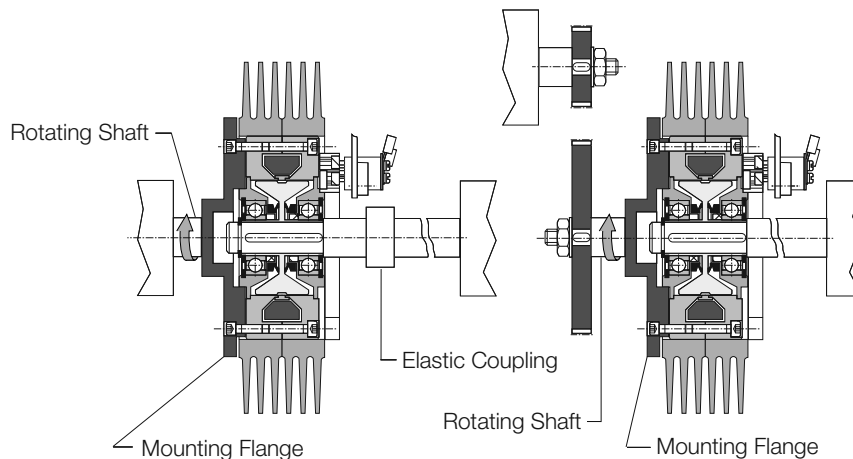


Specifications		MP-C-2002-N-T	MP-C-2002-R-T
Torque - Max.	in-lb (Nm)	1770 (200)	
Torque - Min.	in-lb (Nm)	17.7 (2.0)	
Torque - Min. (RR version) <sup>(4)</sup>	in-lb (Nm)	35.4 (4.0)	
Current - Rated	A	1.55	
Coil Resistance <sup>(1)</sup>	Ω	11	
Rotor Inertia	in-lb <sup>2</sup> (kg-m <sup>2</sup> )	120.284 (35.2x10 <sup>-3</sup> )	
Rotation Speed - Min. <sup>(2)</sup>	rpm (mn <sup>-1</sup> )	40	
Rotation Speed - Max. <sup>(2)</sup>	rpm (mn <sup>-1</sup> )	2000	
Temperature (housing) - Rated <sup>(3)</sup>	°F (°C)	212 (100)	
Temperature (housing) - Max. <sup>(3)</sup>	°F (°C)	248 (120)	
Heat Dissipation @ 0 RPM <sup>(5)</sup>	HP (Watts)	0.53 (400)	0.94 (700)
Heat Dissipation @ 1000 RPM <sup>(5)</sup>	HP (Watts)	1.07 (800)	2.54 (1900)
Heat Dissipation @ 1500 RPM <sup>(5)</sup>	HP (Watts)	1.34 (1000)	3.35 (2500)
Weight	lb (kg)	55 (25)	68 (31)

- (1) At 20°C (varies with the coil temperature).
- (2) Except RR versions. Any further request, consult Montalvo.
- (3) Max. for rated life.
- (4) Remnant Rotor version.
- (5) External rotor rotation speed.



## Recommended Mounting



### Installation Hotlines

- 🇺🇸 207-856-2501 / 800-226-8710
- 🇪🇺 +86-21-52188010
- 🇩🇪 +45 75 57 27 11
- 🇩🇪 +49 (0)511 760 691 41

