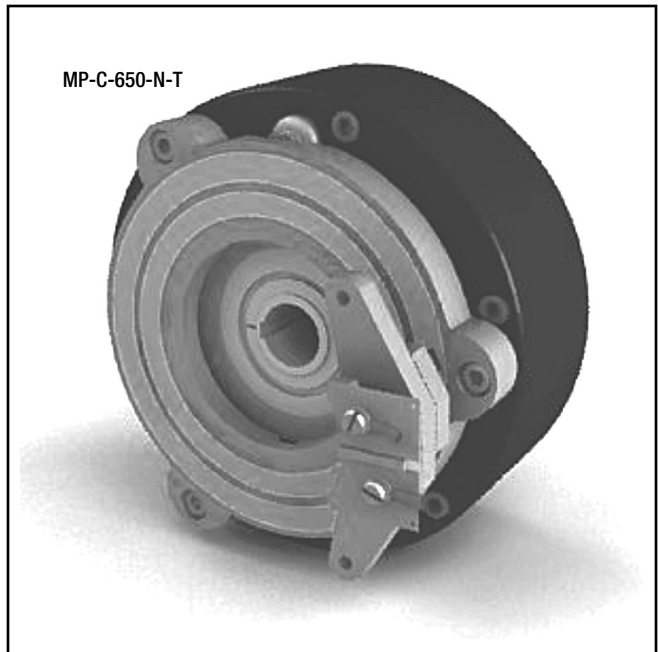


Montalvo MP-Series

Magnetic Particle Clutches

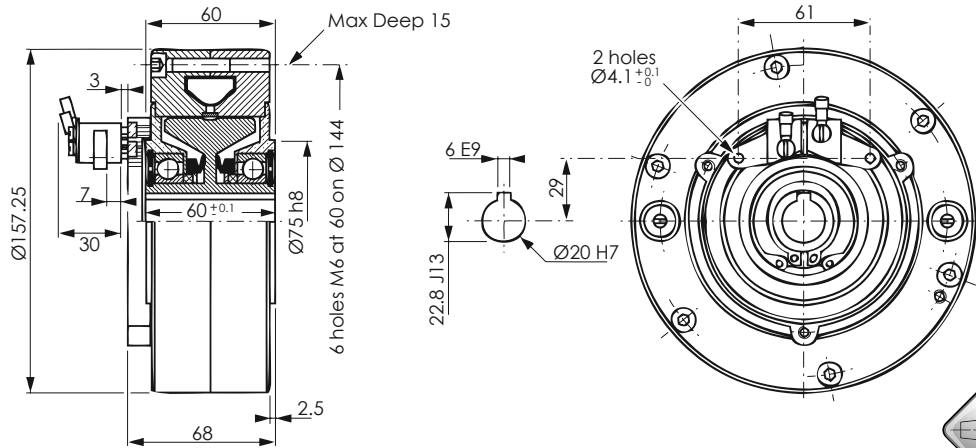
Models: **650**
MP-C-650-N-T / MP-C-650-R-T

- Versatile Thru-Shaft design
- Torque range to **575 in-lb (65 Nm)**
- Radial cooling option
- Easily integrates into other systems
- Easy setup and operation

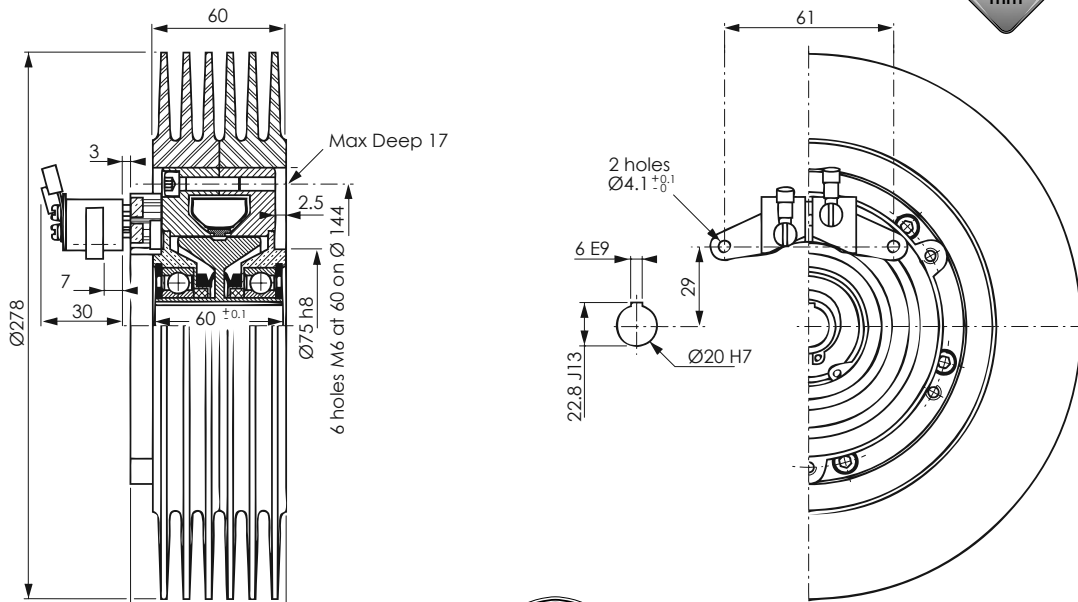


Montalvo's MP-Series Clutches are a key component in high quality rewind applications. MP Clutches apply force (torque) to rewind webs in either closed or open-loop tension control systems. The **MP-C-650-N-T** features a compact size. The **MP-C-650-R-T** offers greater heat dissipation thru passive radial cooling. MP-Series Clutches utilize the **VC2 Voltage Converter**, a microcontroller regulated current power supply.

MP-C-650-N-T

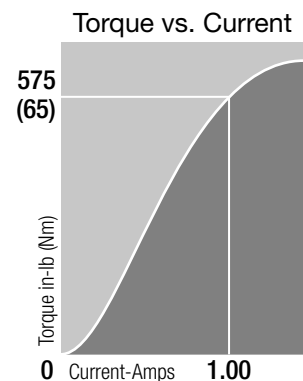
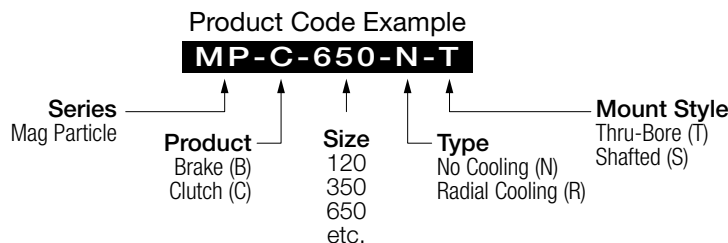


MP-C-650-R-T

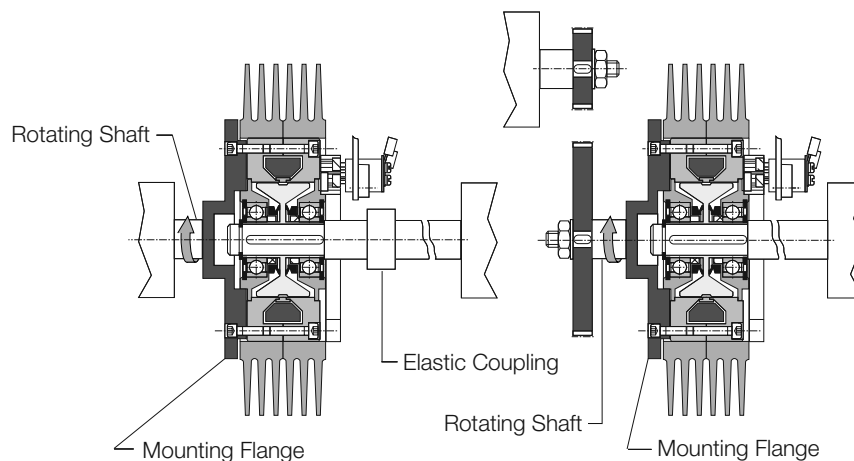


Specifications		MP-C-650-N-T	MP-C-650-R-T
Torque - Max.	in-lb (Nm)	575 (65)	
Torque - Min.	in-lb (Nm)	5.6 (0.63)	
Torque - Min. (RR version) ⁽⁴⁾	in-lb (Nm)	11.5 (1.30)	
Current - Rated	A	1.00	
Coil Resistance ⁽¹⁾	Ω	20	
Rotor Inertia	in-lb ² (kg-m ²)	6.8343 (2x10 ⁻³)	
Rotation Speed - Min. ⁽²⁾	rpm (mn ⁻¹)	40	
Rotation Speed - Max. ⁽²⁾	rpm (mn ⁻¹)	2000	
Temperature (housing) - Rated ⁽³⁾	°F (°C)	212 (100)	
Temperature (housing) - Max. ⁽³⁾	°F (°C)	248 (120)	
Heat Dissipation @ 0 RPM ⁽⁵⁾	HP (Watts)	0.20 (150)	0.47 (350)
Heat Dissipation @ 1000 RPM ⁽⁵⁾	HP (Watts)	0.53 (400)	1.74 (1300)
Heat Dissipation @ 2000 RPM ⁽⁵⁾	HP (Watts)	0.87 (650)	3.01 (2250)
Weight	lb (kg)	16.1 (7.3)	24.7 (11.2)

- (1) At 20°C (varies with the coil temperature).
- (2) Except RR versions. Any further request, consult Montalvo.
- (3) Max for rated life.
- (4) Remnant Rotor version.
- (5) External rotor rotation speed.



Recommended Mounting



Installation Hotlines

	207-856-2501 / 800-226-8710
	+86-21-52188010
	+45 75 57 27 11
	+49 (0)511 760 691 41

