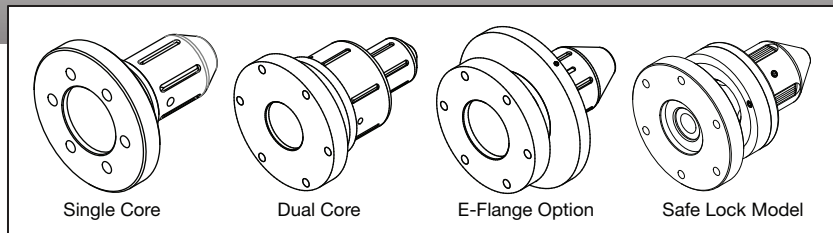


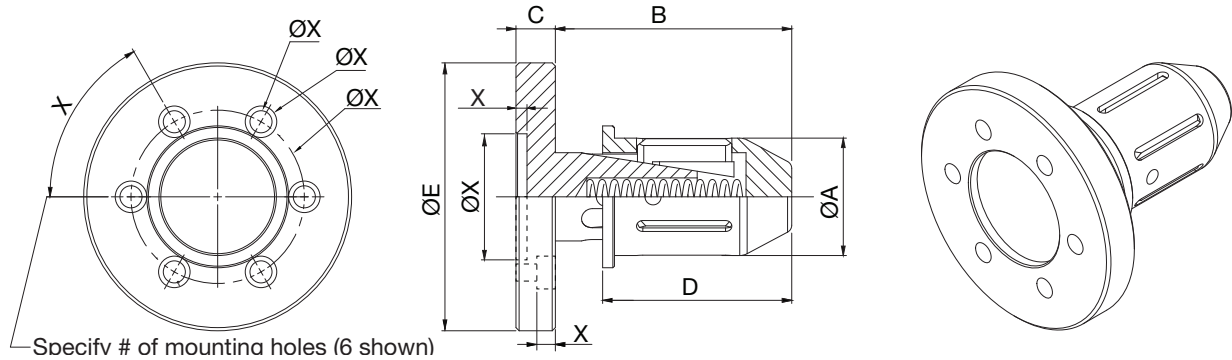
Defender**AA** Axial Activated Core Chucks**Montalvo Defender AA Axial Activated Core Chucks**

Sometimes referred to as Lug Chucks, cores are engaged as a result of radial lug expansion as the core is loaded into the chuck, ensuring maximum grip. Defender **AA** Core Chucks are cost effective, rugged, and durable core chucks capable of withstanding even the dustiest environments, while being simple to utilize. Our exclusive “safe lock” model expands the capabilities of our AA core chucks by resolving any potential risk of the core not fully tightening and ensuring the roll is always perfectly concentric.

Features, Benefits and Options

- ▶ **Rapid Expansion Jaws** - ensure secure roll control immediately upon engagement
- ▶ **Dual Core Models** - for processes utilizing multiple core sizes - one chuck, two core sizes
- ▶ **E-Flange™ Option** - eliminates operator interaction in removing cores while making core ejection fast and easy; reducing risk of jammed cores
- ▶ **Photocell Ready™ Option** - allows use of photocell or other sensors
- ▶ **Customer Specified Mounting Holes** - ready for immediate installation upon delivery
- ▶ **Several Finishes Available** - Black Oxide standard, Nickel Plating optional
- ▶ **Drop-In Replacement Design** - for easy upgrading of existing installations

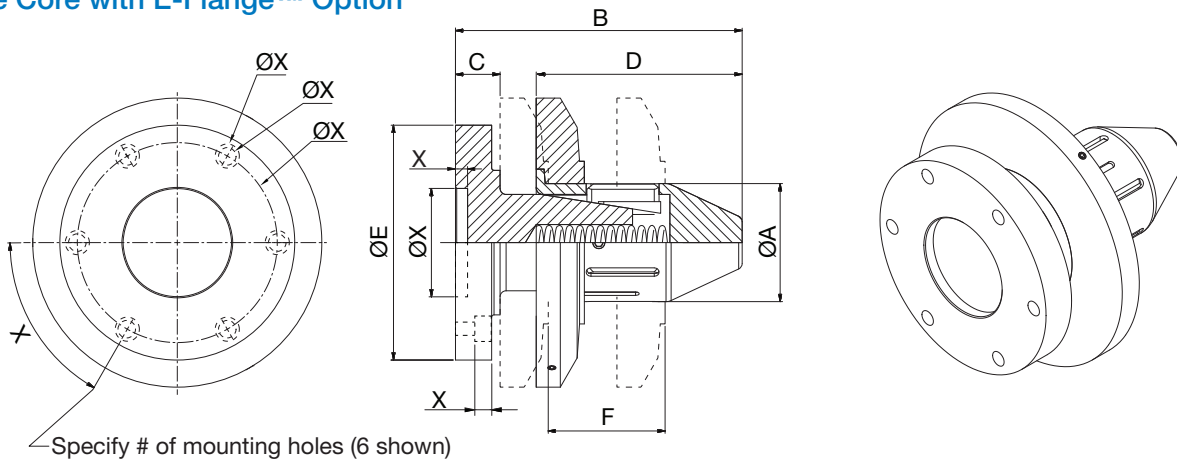
Single Core



Model #	Core in (mm)	A in (mm)	B in (mm)	C in (mm)	D in (mm)	E in (mm)	Max. Load* lb (N)	Max. Torque* in-lb (Nm)	X in (mm)
AA-S-3	3 (76)	2.93 (74.5)	5.90 (150)	0.98 (25)	4.72 (120)	6.60 (168)	2,700 (12,000)	2,212 (250)	Customer Specified
AA-S-4	4 (100)	3.86 (98)				7.68 (195)	6,069 (27,000)	9,735 (1,100)	
AA-S-5	5 (127)	4.92 (125)	5.31 (135)	1.18 (30)	4.13 (105)	7.68 (195)	11,240 (50,000)	22,126 (2,500)	
AA-S-6	6 (150)	5.83 (148)				8.5 (216)	16,860 (75,000)	26,552 (3,000)	
AA-S-10	10 (245)	9.53 (242)				14.57 (370)	22,480 (100,000)	106,209 (12,000)	
AA-S-12	12 (300)	11.69 (297)				16.34 (415)	33,721 (150,000)	159,313 (18,000)	

* Values are for a single chuck. Double the values when using chucks in pairs.

Single Core with E-Flange™ Option

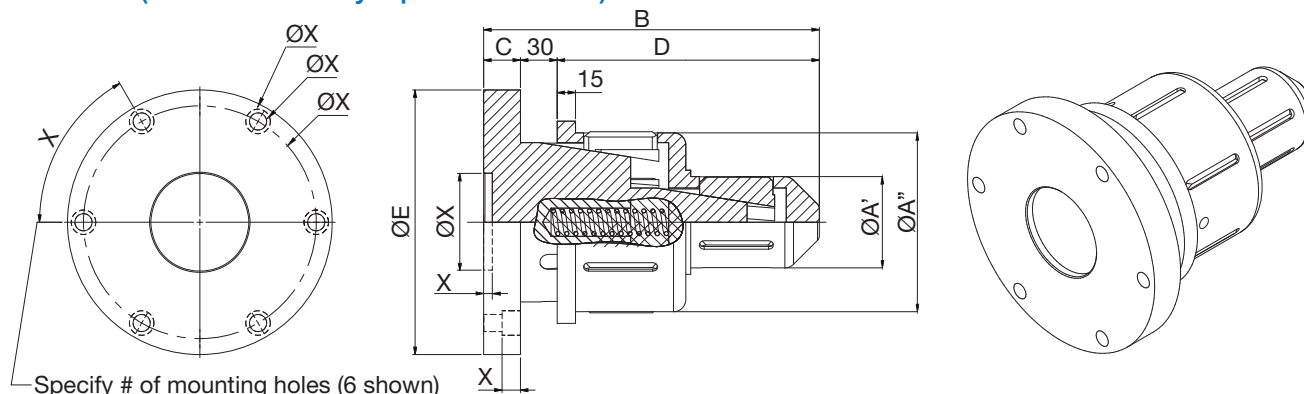


Model #	Core in (mm)	A in (mm)	B in (mm)	C in (mm)	D in (mm)	E in (mm)	F in (mm)	Max. Load* N (lb)	Max. Torque* Nm (in-lb)	X mm (in)
AA-S-3-E	3 (76)	2.93 (74.5)	9.37 (238)	1.46 (37)	6.73 (171)	7.68 (195)	3.82 (97)	2,700 (12,000)	2,212 (250)	Customer Specified
AA-S-4-E	4 (100)	3.86 (98)						6,069 (27,000)	9,735 (1,100)	

E = E-Flange (Ejector Flange option)

* Values are for a single chuck. Double the values when using chucks in pairs.

Dual Core (Photocell Ready Option Available)



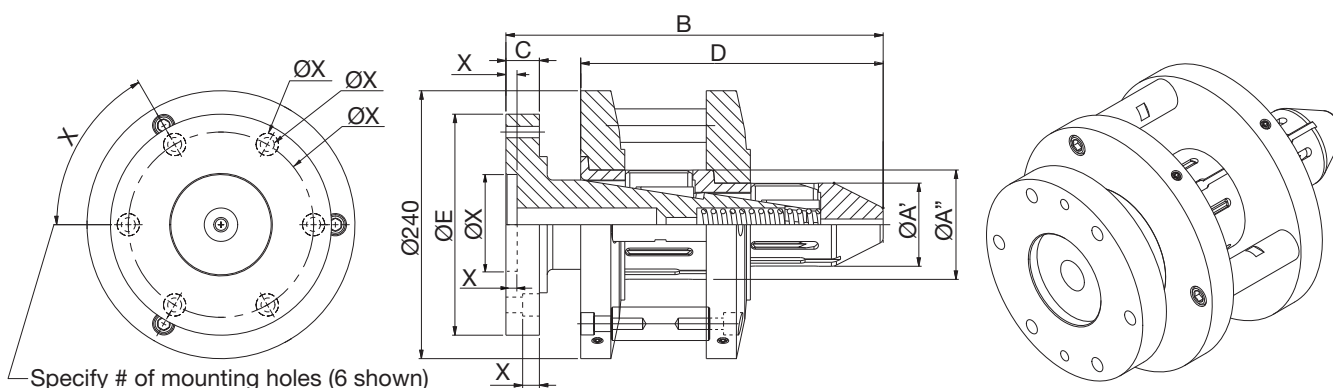
Specify # of mounting holes (6 shown)

Model #	Cores in	A' in (mm)	A'' in (mm)	B in (mm)	C in (mm)	D in (mm)	E in (mm)	Max. Load* lb (N)	Max. Torque* in-lb (Nm)	X in (mm)
AA-D-34	3 & 4	2.93 (74.5)	3.86 (98)	9.37 (238)	0.98 (25)	7.2 (183)	7.68 (195)	1,686/5,620 (7,500/25,000)	2,212/9,735 (250/1,100)	Customer Specified
AA-D-34-PC	3 & 4									
AA-D-36	3 & 6	2.93 (74.5)	5.83 (148)	10.79 (274)	1.18 (30)	8.43 (214)	8.50 (216)	3,372/16,860 (15,000/75,000)	2,212/26,552 (250/3,000)	
AA-D-46	4 & 6	3.86 (98)						5,620/16,860 (25,000/75,000)	9,735/26,552 (1,100/3,000)	
AA-D-612	6 & 12	5.83 (148)	11.69 (297)				16.46 (418)	16,860/33,721 (75,000/150,000)	26,552/159,313 (3,000/18,000)	

PC = Photocell Ready Model

* Values are for a single chuck. Double the values when using chucks in pairs.

Dual Core with E-Flange™ and/or Photocell Ready Option



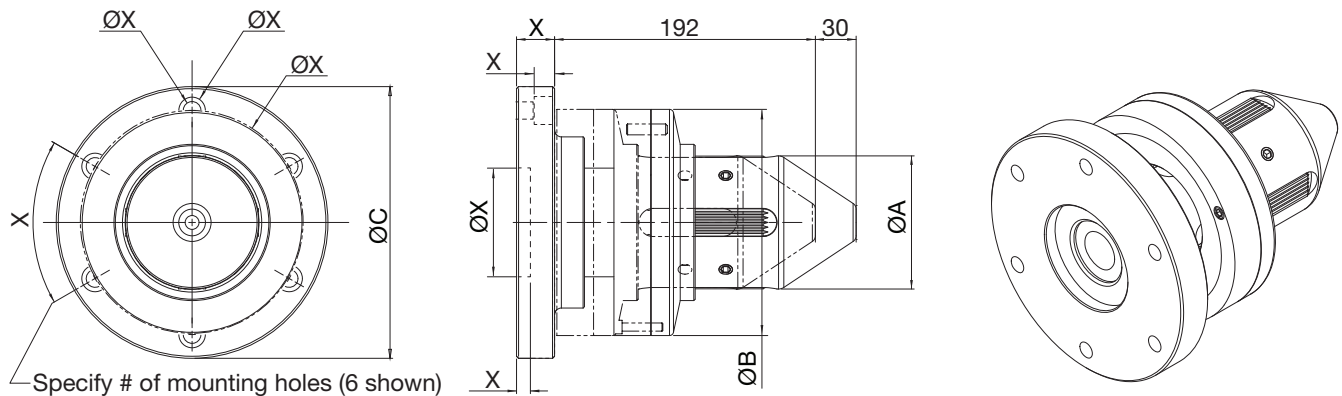
Specify # of mounting holes (6 shown)

Model #	Cores in	A' in (mm)	A'' in (mm)	B in (mm)	C in (mm)	D in (mm)	E in (mm)	Max. Load* lb (N)	Max. Torque* in-lb (Nm)	X in (mm)
AA-D-34-E	3 & 4	2.93 (74.5)	3.86 (98)	13.31 (338)	1.18 (30)	10.67 (271)	7.68 (195)	5,620/16,860 (25,000/75,000)	2,212/9,735 (250/1,100)	Customer Specified
AA-D-34-EPC										

E = E-Flange, EPC = E-Flange and Photocell Ready Model

* Values are for a single chuck. Double the values when using chucks in pairs.

Single Core Safe Lock Model

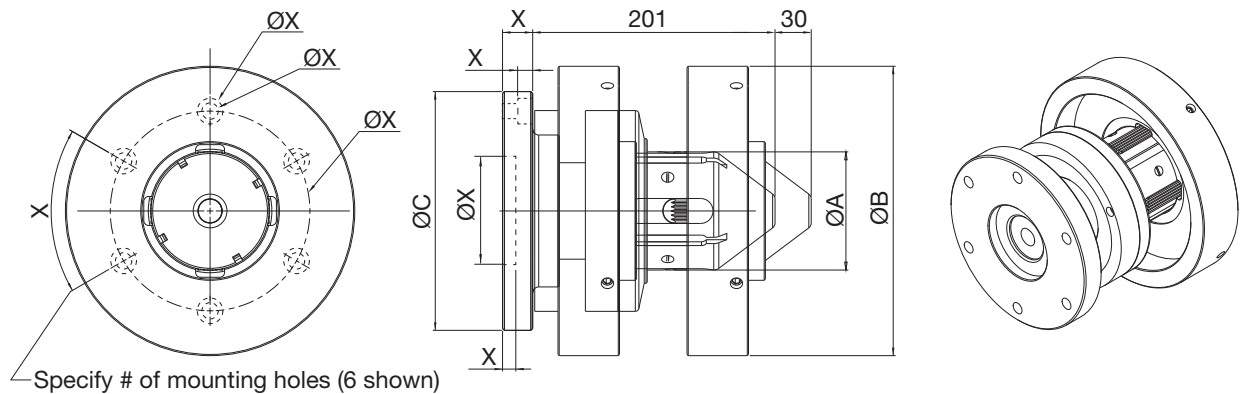


Model #	Core in (mm)	A in (mm)	B in (mm)	C in (mm)	Max. Load* lb (N)	Max. Torque* in-lb (Nm)	X in (mm)
AA-S-4-SL	4 (100)	3.86 (98)	6.57 (167)	7.68 (195)	6,069 (27,000)	9,735 (1,100)	Customer Specified

SL = Safety Lock

* Values are for a single chuck. Double the values when using chucks in pairs.





Single Core Safe Lock Model with E-Flange™ Option



Model #	Core in (mm)	A in (mm)	B in (mm)	C in (mm)	Max. Load* lb (N)	Max. Torque* in-lb (Nm)	X in (mm)
AA-S-4-SLE	4 (100)	3.86 (98)	9.45 (240)	7.68 (195)	6,069 (27,000)	9,735 (1,100)	Customer Specified

SLE = Safety lock and E-Flange (Ejector Flange option)

* Values are for a single chuck. Double the values when using chucks in pairs.

	207-856-2501 / 800-226-8710
	+86-21-52188010
	+45 75 57 27 11
	+49 (0)511 760 691 41



The Montalvo Corporation

EST. 1947

montalvo

Better Web Control®

50 Hutcherson Drive, Gorham, Maine 04038 USA
 Fax: 1-800-644-5097 / 207-856-2509

1-800-226-8710 / info@montalvo.com / www.montalvo.com

Technical details subject to change without notice. DAA-US-02 © Montalvo