

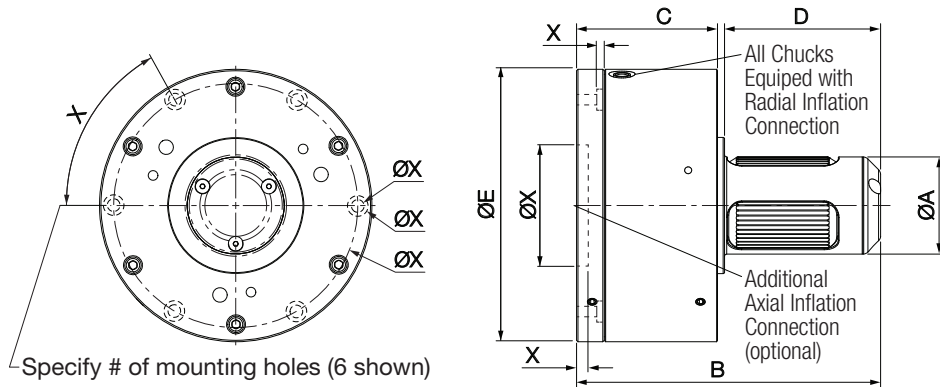
Defender**PA** Pneumatically Activated Core Chucks**Montalvo Defender PA Pneumatically Activated Core Chucks**

Commonly used in applications running lighter rolls of material and/or at higher speeds or high tensions, our **PA** Pneumomechanical Core Chucks are designed to ensure maximum grip, stability, and performance. Delivering a constant grip engagement to your core regardless of torque and direction with minimal operator interaction.

Features, Benefits and Options

- ▶ *Specially Designed Lug Return Mechanism for 100% Simultaneous Return to Rest Position*
- ▶ *Available Aluminum Adapters for Quick and Easy Core Size Changes*
- ▶ *Constant Grip Engagement with High Capacity Design*
- ▶ *Ideal for Unwind, Flying, or Zero Speed Splicing*
- ▶ *Nickel Plated for corrosion resistance and long service life*
- ▶ *Drop-In Replacement Design*

Single Core - Positive Engagement



Model #	Core in (mm)	A in (mm)	B in (mm)	C in (mm)	D in (mm)	E in (mm)	Expansion in (mm)	Max. Load* lb (N)	Max. Torque* in-lb (Nm)	X in (mm)
PA-S-70-P	2.76 (70)	2.68 (68)	8.46 (215)	3.94 (100)	4.33 (110)	7.56 (192)	2.7-3.07 (68.5-78)	2,023 (9,000)	3,451 (390)	Customer Specified
PA-S-3-P	3 (76)	2.91 (74)					2.93-3.3 (74.5-83.8)	2,697 (12,000)	5,310 (600)	
PA-S-4-P	4 (100)	3.86 (98)					3.88-4.23 (98.5-107.5)	3,596 (16,000)	7,965 (900)	
PA-S-5-P	5 (125)	4.84 (123)					4.86-5.22 (123.5-132.5)	6,744 (30,000)	19,471 (2,200)	
PA-S-6-P	6 (150)	5.83 (148)					5.85-6.18 (148.5-157)	8,992 (40,000)	39,828 (4,500)	

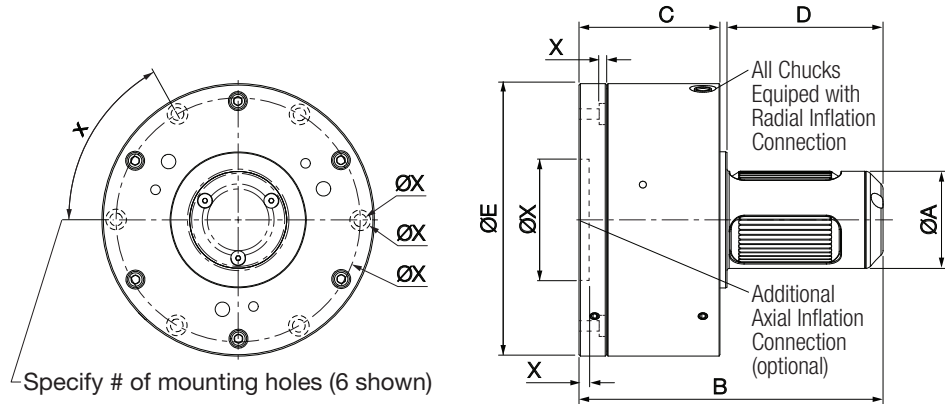
P = Positive Engagement

* Values are for a single chuck. Double the values when using chucks in pairs.

Custom Flanges

Custom flanges are available for both Positive and Negative Engagement chucks. Please contact Montalvo for further information.

Single Core - Negative Engagement



Model #	Core in (mm)	A in (mm)	B in (mm)	C in (mm)	D in (mm)	E in (mm)	Expansion in (mm)	Max. Load* lb (N)	X in (mm)
PA-S-70-N	2.76 (70)	2.7 (68.5)	9.25 (235)	4.72 (120)	4.33 (110)	7.56 (192)	2.7-3.05 (68.5-77.5)	2,248 (10,000)	Customer Specified
PA-S-3-N	3 (76)	2.91 (74)					2.93-3.3 (74.5-83.8)		
PA-S-6-N	6 (150)	5.83 (148)					5.85-6.2 (148.5-157.5)		

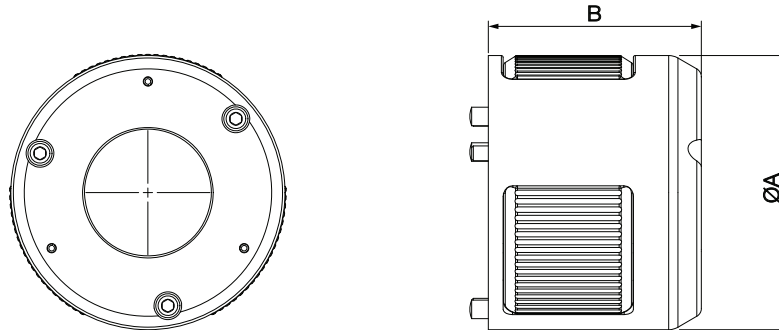
N = Negative Engagement

* Values are for a single chuck. Double the values when using chucks in pairs.

Custom Flanges

Custom flanges are available for both Positive and Negative Engagement chucks. Please contact Montalvo for further information.

Adapters



Adapter #	Fits Chuck	Core in (mm)	A in (mm)	B in (mm)	Expansion in (mm)	Material
PA-S-70-A4	PA-S-70-P PA-S-70-N	4 (100)	3.86 (98)	4.09 (104)	3.86-4.21 (98-107)	Aluminum
PA-S-70-A6		6 (150)	5.83 (148)	4.53 (115)	5.85-6.2 (148.5-157.5)	
PA-S-70-A8		8 (200)	7.8 (198)	4.92 (125)	7.81-8.17 (198.5-207.5)	
PA-S-70-A10		10 (245)	9.76 (248)	4.92 (125)	9.76-10.12 (248-257)	
PA-S-3-A5	PA-S-3-P PA-S-3-N	5 (125)	4.92 (125)	4.53 (115)	4.92-5.29 (125-134.4)	
PA-S-3-A6		6 (150)	5.83 (148)	4.53 (115)	5.85-6.2 (148.5-157.5)	
PA-S-4-A8	PA-S-4-P	8 (200)	7.8 (198)	4.92 (125)	7.81-8.17 (198.5-207.5)	
PA-S-4-A10		10 (245)	9.76 (248)	4.92 (125)	9.78-10.14 (248.5-257.5)	
PA-S-6-A8	PA-S-6-P PA-S-6-N	8 (200)	7.8 (198)	4.92 (125)	7.81-8.17 (198.5-207.5)	
PA-S-6-A10		10 (245)	9.76 (248)	4.92 (125)	9.78-10.14 (248.5-257.5)	
PA-S-6-A12		12 (300)	11.89 (302)	4.92 (125)	11.89-12.24 (302-311)	

	207-856-2501 / 800-226-8710	
	+86-21-52188010	
	+45 75 57 27 11	
	+49 (0)511 760 691 41	



The Montalvo Corporation

EST. 1947

montalvo

Better Web Control®

50 Hutcherson Drive, Gorham, Maine 04038 USA

Fax: 1-800-644-5097 / 207-856-2509

1-800-226-8710 / info@montalvo.com / www.montalvo.com

Technical details subject to change without notice. DPA-US-04 © Montalvo