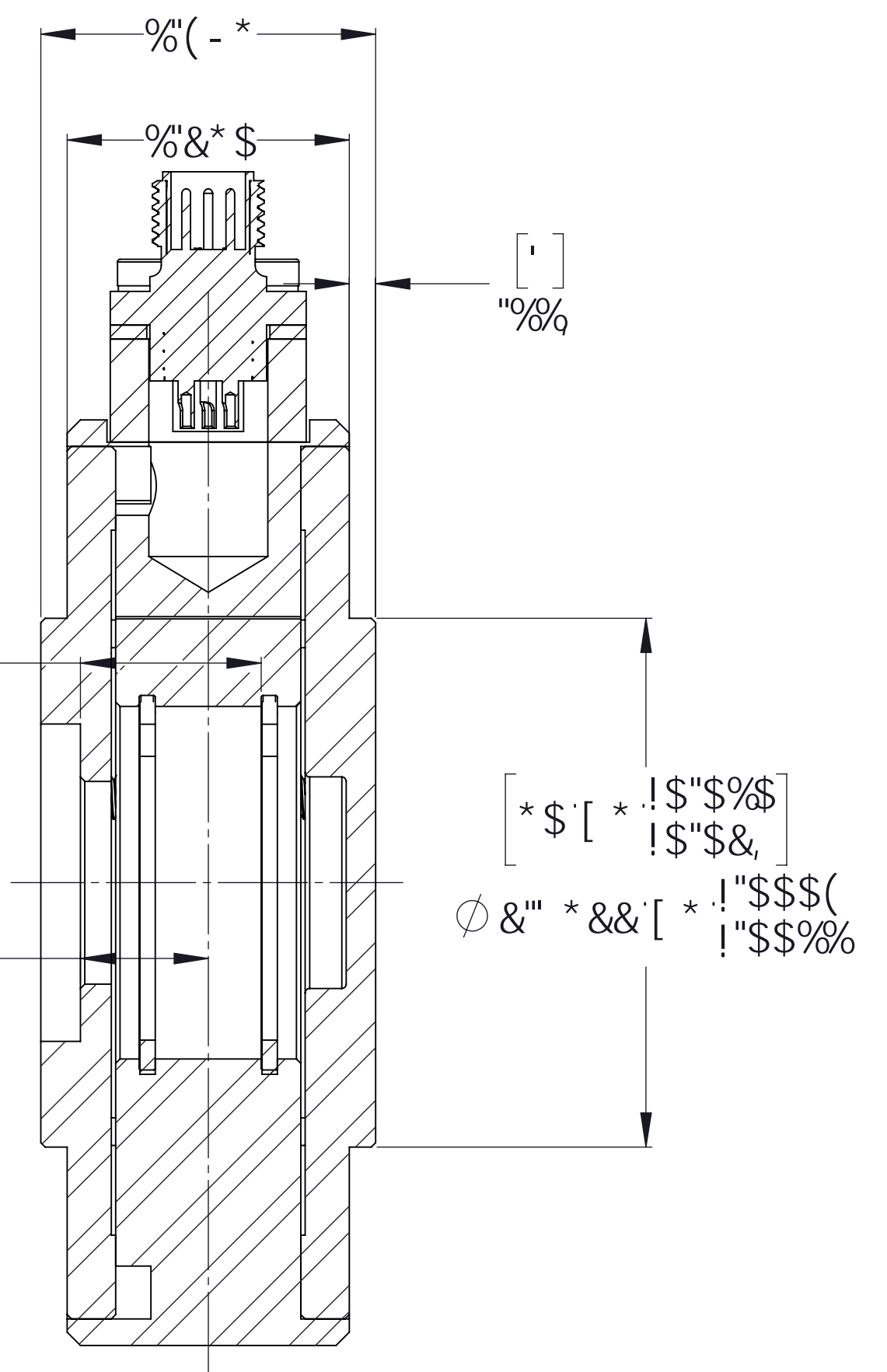
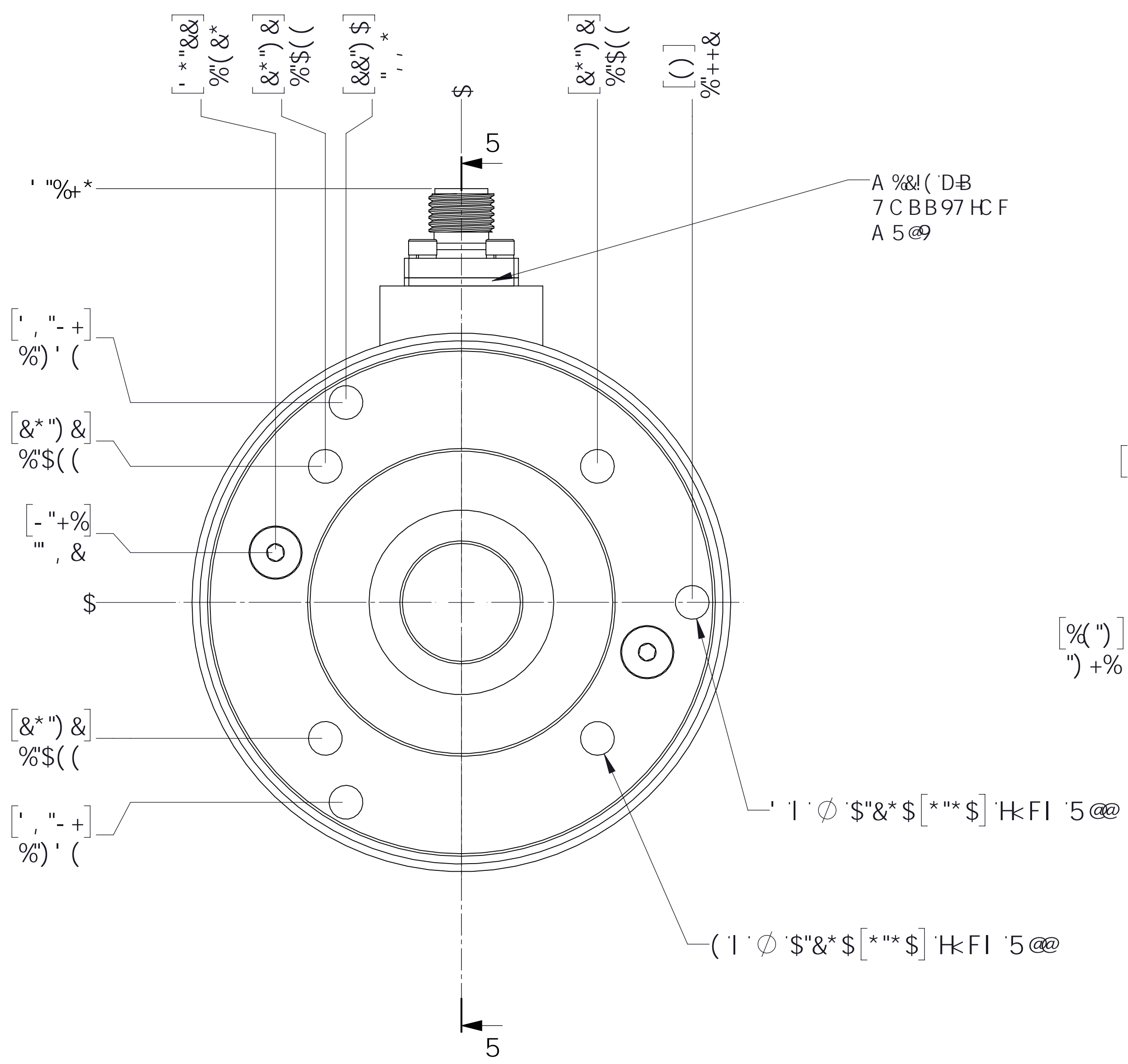


F9J 66BG				
NC B9	F9J *	89G7 F-DHC B	85H9	5DDFC J 98
	5	58898 GD57 9F 66C 7?	+##- #&\$%	75C



G97 HC B '5!5

58898 A 98GC BG B7 < 1 B#GGC H-9F K 69 GD97 = 98 A 9F-7 HC#F5B7 9GD9F 4C: 8+*, IZ	ICG "\$S1 ± % ICG "\$SS1 ± % ICG "\$SS1 ± % ICG "8F5: H5B: @9 1" * ICG "5B: 1 @5F.1 ± % ICG "F57 HC B5 @1 ± % ICG "B G: 1 5GG C K B		
B98 FF 588 6F 95? 5 @IG-5FD 98: 9G DFCF #6FM588 7CB: 69H5@	H9A CBH#C 7 C FDC F5HC B 85% 588F = #E708E J 98 588M 01C: H 60FSK B: CF H-9 B: CFA SHCB 7C B16 698 = 9E9E2: CF 5 DI FDC 09CH-9F H: 5B 5G9LDF9G8M5I HCF-M8 68M-9A CBH#C 7 C FDC F5HC B CF: 4G3 66B-87M 8585FC16 187 -B? 54G-69LDF9G8M5I - 6880	H9A CBH#C 7 C FDC F5HC B 85% 8F5K B 6M A H G#9 Df#Bc" 8k [Bc" F9J 7 <? 6M 75C 7 %' \$\$\$& 5 85H9: %&#&#&#&# G7 5 @9. BC B9 G<99H% C: &	