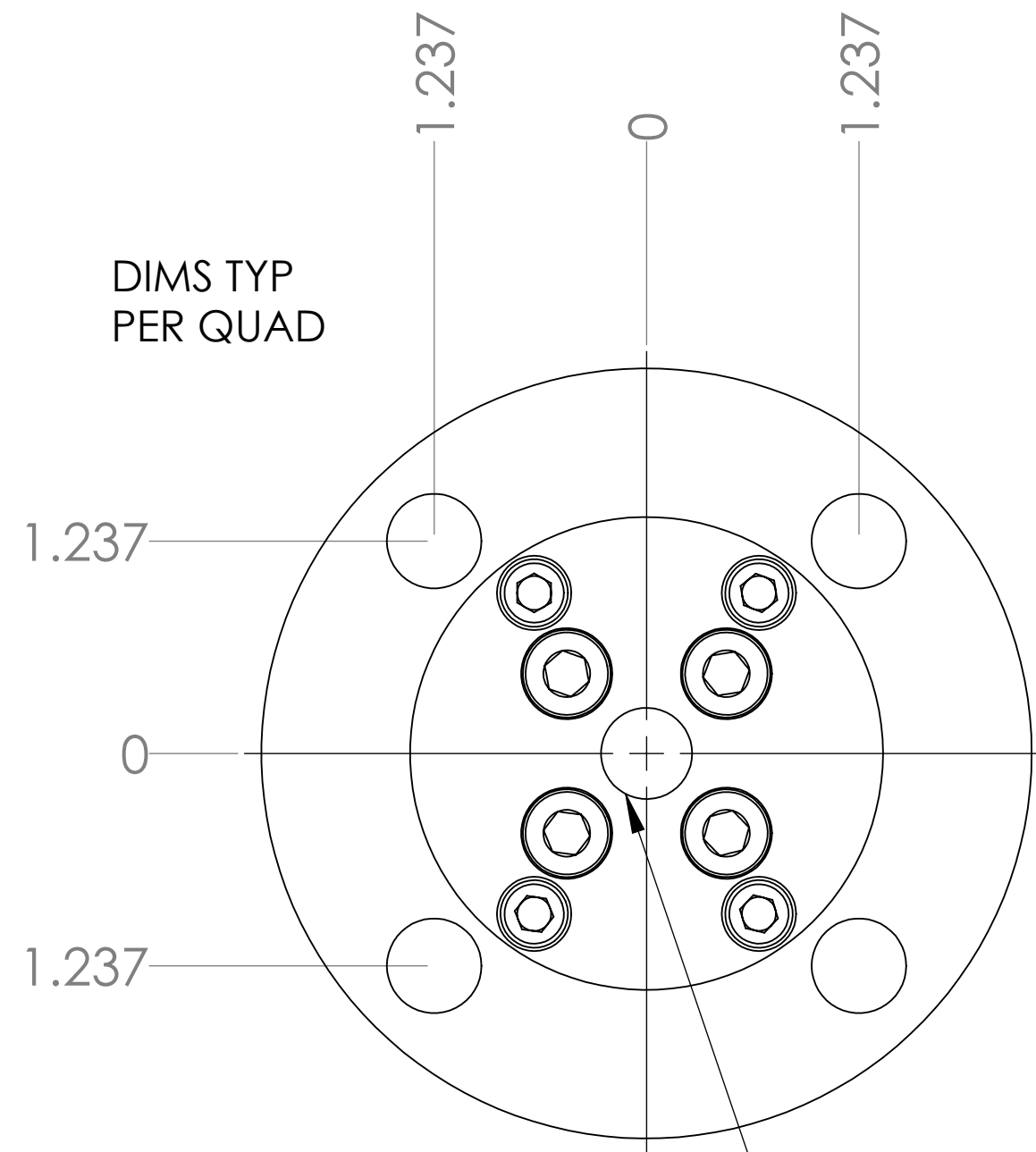
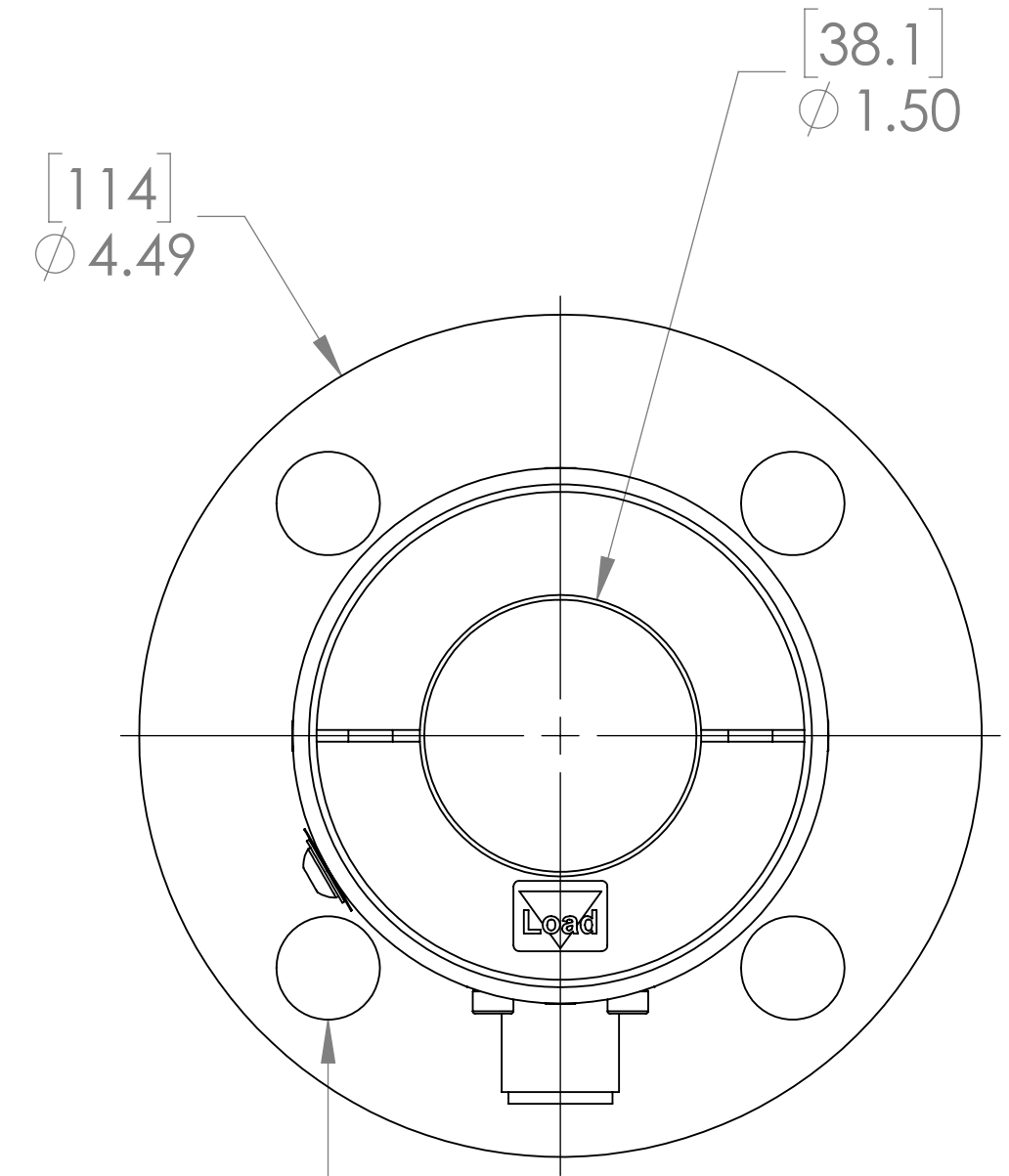
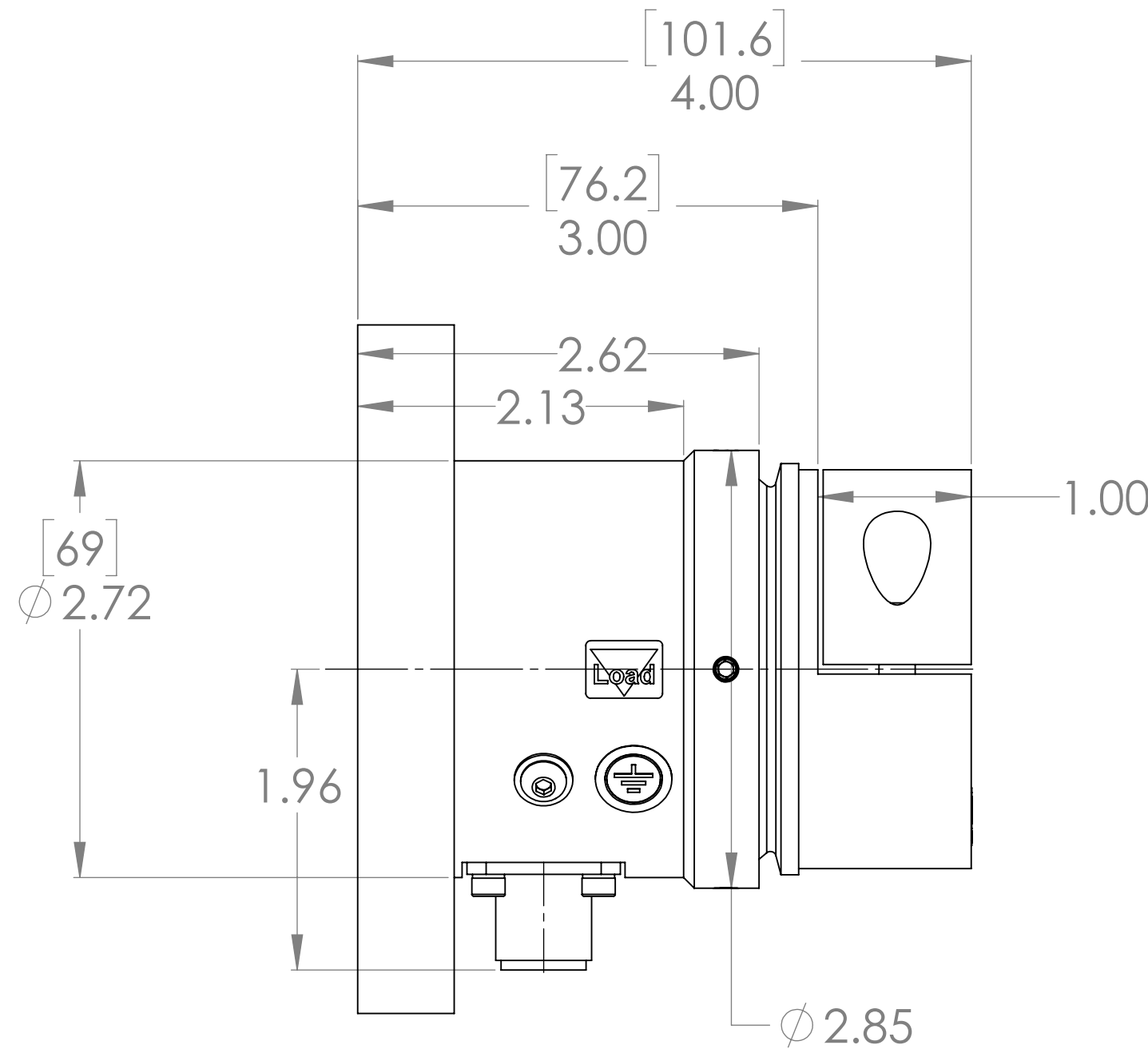


REVISIONS				
ZONE	REV.	DESCRIPTION	DATE	APPROVED
	A	UPDATED COMPONENTS / GEOMETRY MODIFIED	6/24/2020	CAO



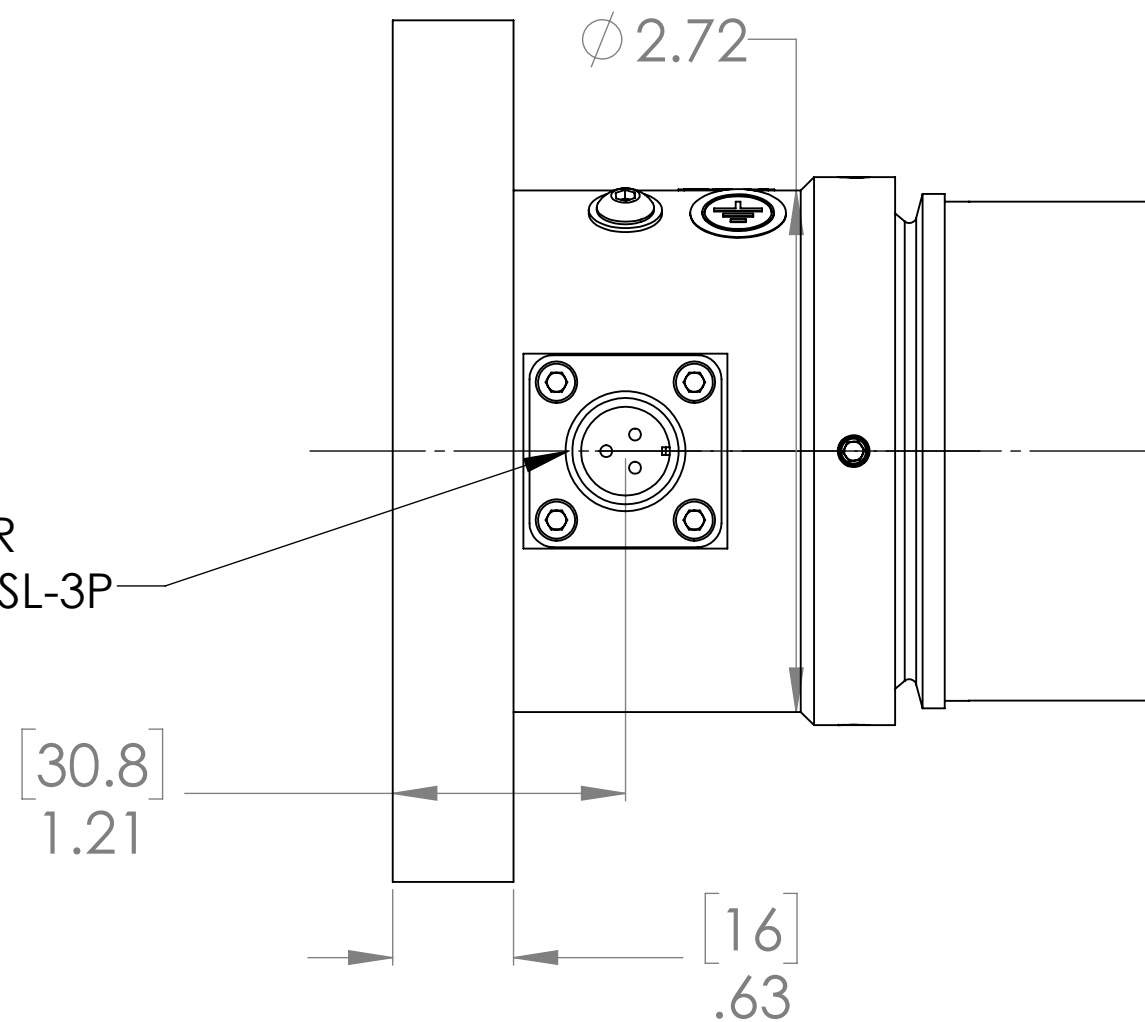
DIMS TYP
PER QUAD



5/8-11 TAPPED HOLE
5/8" HOLE DEPTH
(M16 AS OPTION)

3-PIN MALE CONNECTOR
AMPHENOL 97-3102A-10SL-3P

4 x ϕ 0.551 [14] THRU ALL
REQ'D ON 3.500 B.C.D.



<p>ALL DIMENSIONS INCH UNLESS OTHERWISE SPECIFIED</p> <p>METRIC TOLERANCES PER ISO 2768-F</p> <p>DEBURR AND BREAK ALL SHARP EDGES</p> <p>PROPRIETARY AND CONFIDENTIAL</p> <p>© THE MONTALVO CORPORATION 2017 ALL RIGHTS RESERVED. ANY USE OF THIS DRAWING OR THE INFORMATION CONTAINED HEREIN, FOR A PURPOSE OTHER THAN AS EXPRESSLY AUTHORIZED BY THE MONTALVO CORPORATION OR ITS SUBSIDIARY, DANABOTIA TECHNICAL, IS EXPRESSLY PROHIBITED.</p>	<p>UOS: .00 = ± .01 UOS: .000 = ± .005 UOS: .0000 = ± .0005 UOS: DRAFT ANGLE = 3° UOS: ANGULAR: = ± 1/2° UOS: FRACTIONAL: = ± 1/64 UOS: FINISH = AS SHOWN</p>	<p>© 2017 montalvo Better Web Control®</p> <p>The Montalvo Corp. 50 Hutcherson Drive Gorham, ME 04038 info@montalvo.com 1-800-266-8710</p>
<p>TITLE: LOAD CELL DR-D IDLER, SIZE F2-6</p>		
<p>DRAWN BY: JMC</p> <p>CHK BY: CAO</p> <p>DATE: 6/26/2020</p>	<p>SIZE Prt No. C 12200004</p> <p>SCALE: NONE</p>	<p>Dwg No. REV A</p> <p>SHEET 1 OF 1</p>